



FOX

The word "FOX" is rendered in a bold, black, sans-serif font. The letter 'O' is stylized to resemble a fox's tail, with several curved, pointed segments extending downwards and to the right. The text is set against a background of three parallel diagonal stripes in shades of gray, running from the top-left towards the bottom-right.

FORK OWNER'S GUIDE

TABLE OF CONTENTS

ENGLISH	3
FRANÇAIS	15
ITALIANO	27
DEUTSCH	39
ESPAÑOL	58
PORTUGUÊS	70
中文	82

CONGRATULATIONS!

Thank you for choosing a FOX suspension product for your bicycle. FOX suspension products are designed and tested by the finest professionals in the industry, in Santa Cruz County, California, USA.

Follow the guidelines and instructions provided in this owner's guide, so that you are able to properly set up, use, and maintain your new FOX product.

More information and videos are available at <http://www.ridefox.com/OwnersManuals>, or call FOX US at 1.800.369.7469, email mtbservice@ridefox.com, or contact an Authorized International FOX Service Center at <http://www.ridefox.com/GlobalDistributors>. If access to the Internet is not available to you, contact FOX to order a paper copy of the online FOX owner's manual for your product, free of charge.

WARNING AND SAFETY INFORMATION

FOX products should be installed by a professional bicycle service technician, in accordance with FOX installation specifications. Improperly installed forks can fail, causing the rider to lose control resulting in SEVERE INJURY OR DEATH.

Modification or alteration of a FOX product can cause product failure resulting in SEVERE INJURY OR DEATH. Never modify or alter ANY part of a FOX product (including coil springs, lower leg cross brace, crown, steerer, upper tubes, lower leg, air can, seat post, air volume spacers, internals, axle slit shims, axle adapters, or any other parts).

FOX bicycle suspension products may also be used on Class 1 (USA Designation) and L1e-A (EU designation) electric bicycles.

FOX E-BIKE+ suspension products may be used on Class 3 (USA designation) and L1e-B (EU designation) electric bicycles.

DO NOT use any FOX 32 AX, 32 mm FLOAT, 32 mm Step-Cast, or 34 mm Step-Cast forks on any pedal-assisted motorized cycle or motorized vehicle that exceeds a max assisted speed of 32 km/h (20 mph) or a max system weight of 121 Kg (266 lb).

DO NOT use any FOX bicycle suspension products on any pedal-assisted motorized cycle or motorized vehicle that exceeds a max assisted speed of 32 km/h (20 mph) or a max system weight of 140 Kg (308 lb).

DO NOT use any FOX E-BIKE+ suspension products on any pedal-assisted motorized cycle or motorized vehicle that exceeds a max assisted speed of 45 km/h (28 mph) or a max system weight of 169 Kg (372 lb). DO NOT use any FOX bicycle suspension product on any throttle-equipped motorized vehicle.

Misuse of FOX suspension products may cause the suspension to fail, resulting in property damage or SERIOUS INJURY OR DEATH, and void the warranty.

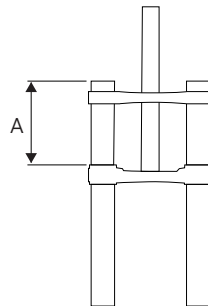
DO NOT use FOX bicycle suspension products on any vehicle carrying more than one operator or rider, such as a tandem bicycle or heavy utility bicycle.

Do not remove or replace the steerer tube. This could result in the loss of control of the bicycle and SEVERE INJURY OR DEATH.

Never attempt to remove or replace the steerer or upper tubes independently from the crown. Modifying the integrated crown, steerer, or upper tubes can cause an assembly failure, resulting in a loss of control of the bicycle and SEVERE INJURY OR DEATH.

Do not cut the steerer more than three (3) mm below the uppermost installed part. If the steerer length is mistakenly cut too short, the crown/steerer/uppertube assembly MUST BE REPLACED! Using a fork with clamped steerer engagement that is too short can lead to sudden fork failure, which can cause loss of control of the bicycle resulting in SEVERE INJURY OR DEATH.

The FOX 27.5 in. and 29 in. 40 mm upper tube position is factory-set to safely clear a bottomed-out 2.50 in. tire. Standard "top of the crown" to "top of upper tube" position is 137.5 mm (A). Never increase "top of the crown" to "top of upper tube" measurement beyond 137.00 mm. Any Upper tube position greater than 137.00 mm would reduce tire to crown clearance and cause a rider to lose control, resulting in SEVERE INJURY OR DEATH.



Never decrease the "top of the crown" to "top of the upper tube" measurement below 127 mm (A). Any upper tube position less than 127 mm can cause product failure resulting in SEVERE INJURY OR DEATH.

Never install the FOX 40 Mud Guard without first adjusting the “top of crown” to “top of upper tube” position to 132 mm (A). The FOX 40 fork with the FOX 40 Mud Guard “top of the crown” to “top of the upper tube” position **MUST BE EXACTLY 132 mm** or SEVERE INJURY OR DEATH may result.

If the steerer tube has any nicks or gouges that can be felt with your fingernail, the crown/steerer tube assembly must be replaced. A nick or gouge can cause the steerer tube to fail, resulting in a loss of control of the bicycle and SEVERE INJURY OR DEATH.

Never attempt to cut threads into the threadless steerers of FOX forks. Cutting threads into a threadless steerer can cause the steerer tube to fail, resulting in a loss of control of the bicycle and SEVERE INJURY OR DEATH. Never use more than 30 mm of height of steerer stem spacers under the steerer stem, as this condition can cause the steerer tube to fail, causing a loss of control resulting in SEVERE INJURY OR DEATH.

Never allow things such as cable or cable housing to come in contact with the steer tube of a fork. If your bike has internal cable and cable housing routing, please consult your bicycle manufacturer's owner's guide for safety instructions. Cable and/or cable housing that comes in contact with a steer tube can cause the steerer tube to fail, resulting in a loss of control of the bicycle and SEVERE INJURY OR DEATH.

Cable housing contacting the fork crown will cause abrasion damage to the crown over time. If contact is unavoidable, use vinyl tape or similar protection to cover the point of contact. The FOX warranty does not cover abrasion damage to the FOX fork crown.

Improper service, or use of non-FOX replacement parts with FOX forks and shocks may cause the product to malfunction, resulting in SEVERE INJURY OR DEATH.

As dirt and debris can accumulate between the fork axle openings, always check and clean these areas before installing the wheel. Improper hub and axle installation can result in SEVERE INJURY OR DEATH.

Never use a power washer to clean your FOX product.

If your fork loses oil, tops or bottoms out excessively, or makes unusual noises, do not ride the fork and immediately contact FOX or an Authorized FOX Service Center for an inspection or repair service.

32 AX forks require a minimum clearance of 8.5 mm between the edges of the inflated tire and the fender or crown and steerer at bottom-out. Never use a tire larger than 700 c x 50 mm on 32 AX forks. A fender may be used with a tire size up to 700 c x 45 mm. NEVER use a tire size larger than 700 c x 45 mm with a fender; this will not provide sufficient clearance. Failure to provide sufficient clearance may cause the tire to jam against the crown or fender when the fork is fully compressed, which can result in SEVERE INJURY OR DEATH.

Lights mounted to AWL forks must clear all fender components and moving parts with at least 8.5 mm of clearance. Failure to leave a minimum clearance of 8.5 mm between the light mount and a fender or other moving parts may cause the tire to jam when the fork is fully compressed, which can result in SEVERE INJURY OR DEATH.

Follow your brake manufacturer's installation instructions for proper installation and adjustment of the brake system. Failure to properly install and adjust your brakes can lead to a loss of control of the bicycle, which can result in SEVERE INJURY OR DEATH.

Your fork or shock may fail under conditions that cause bending and/or breaking to any part of the fork or shock. Any condition that causes a loss of air and/or oil, such as a collision or extended periods of non-use, may also cause your fork or shock to fail. A damaged and/or leaking fork or shock can fail, resulting in a crash and SEVERE INJURY OR DEATH. If you suspect your fork or shock has been damaged, stop riding immediately and contact FOX for inspection and repair.

A fork-mounted carrier may cause damage to the fork legs and/or dropouts, especially in cases where the fork is side-loaded and/or when the rear wheel is not secured in the carrier. Damaged fork legs and/or dropouts can fail, resulting in a crash and SEVERE INJURY OR DEATH. If you suspect your fork has been damaged, contact FOX for inspection and repair.

FORK INSTALLATION

1. Remove the existing fork from the bicycle. Remove the crown race from the old fork. Measure the steerer tube length of the old fork and transfer this measurement to your new FOX fork's steerer tube. If you don't have an existing fork, measure the headset stack height (headset parts and frame head tube) and refer to your stem manufacturer's instructions to be sure there will be enough clamping surface for the stem.

2. Cut the steerer tube to the proper length.

For single crown steerer forks (32, 34, 36 and 38 mm) and dual crown steerer fork (40 mm) steerer tube mount stem: Mark the steerer tube and cut it to the proper length.

For dual crown steerer fork (40 mm) direct mount stem: Mark the steerer tube at the top edge of the upper crown. Remove the fork and cut 3 mm below the mark. This 3 mm allows room for the stem cap to lightly preload the headset to remove any play.

WARNING

Prior to any cutting, consult your headset and stem manufacturer's instructions to ensure that you have enough steerer tube length for clamping the steerer and stem. Improper installation can lead to a separation of the stem from the steerer, resulting in a loss of control of the bicycle and SEVERE INJURY OR DEATH.

3. Install the headset. Always use a new threadless headset and follow the headset manufacturer's instructions.
4. Install a 39.8 mm crown race for 1 1/2 in. steerer tubes and a 29.9 mm crown race for 1 1/8 in. steerer tubes. Use a crown race setter to install the crown race firmly against the top of the crown.
5. Use a star-fangled nut installation tool to install the star nut 4-10 mm below the top of the steer tube.
6. Install the fork onto the bicycle.

For single and dual crown steerer FOX forks: Install the headset bearing parts and stem in accordance with the headset manufacturer's instructions, and adjust the headset preload accordingly until you feel no excessive play or bearing drag. Tighten the stem clamping bolts to the stem manufacturer's torque specifications.

For dual crown steerer FOX forks: Install the steering bumpers onto the upper tubes. Use a torque wrench to tighten all top and lower crown pinch bolts to 7.3 N-m (65 in-lb).

Note: The FOX 40 can be set up with either a direct-mount or a steerer mounted stem. The direct-mount stem to crown bolt torque must not exceed 12.4 N-m (110 in-lb).

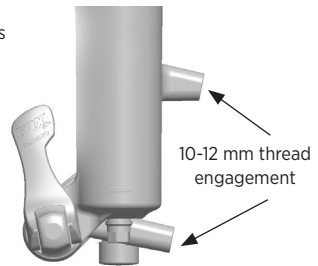
WARNING

The 32 AX fork must be installed onto the bike with the lower leg brace oriented toward the rear of the bike. All other FOX forks must be installed onto the bike with the lower leg brace oriented toward the front of the bike. Improperly installed forks can fail, causing the rider to lose control resulting in SEVERE INJURY OR DEATH.

7. Install the brakes according to the brake manufacturer's instructions. Maximum rotor size for 32 Step Cast 27.5 in., 34 Step Cast, and AX forks is 180 mm. All other 32 and 34 FOX forks, can use up to a 203 mm rotor (including 32 Step Cast 29 in. forks). All AWL, 36, 38, and 40 FOX Forks can use up to a 230 mm rotor.

WARNING

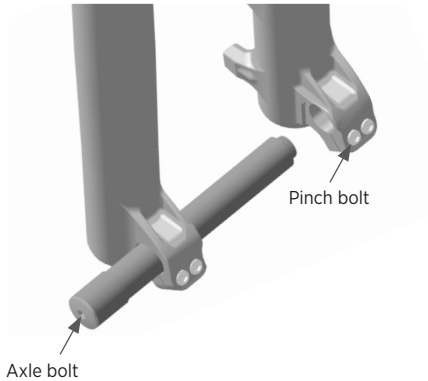
The disc brake caliper mounting bolts must have 10-12 mm of thread engagement with the fork. Use a torque wrench to tighten the caliper mounting bolts to the disc brake manufacturer's specification, but do not exceed 10.2 N-m (90 in-lb). Improper installation can lead to brake failure, resulting in a loss of control of the bicycle and SEVERE INJURY OR DEATH.



8. Route the front disc brake hose or cable housing to the inside of the lower leg, and through the supplied disc brake housing guide. Use a torque wrench to tighten the disc brake hose guide screw to 0.9 N-m (8 in-lb).

20X110 BOOST AXLE INSTALLATION (40 FORK)

1. Install the front wheel into the dropouts and slide the axle through the dropouts and hub.
2. Use a 5 mm hex wrench to torque the axle bolt to 2.2 N-m (19 in-lb).
3. Torque the two pinch bolts on the non-drive side dropout to 2.2 N-m (19 in-lb).
4. Compress the fork a couple of times to ensure that the lower leg has settled into its low-friction point.
5. Torque the two pinch bolts on the drive side dropout to 2.2 N-m (19 in-lb).



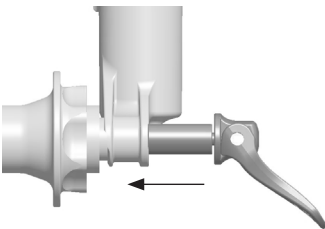
15 MM QUICK RELEASE INSTALLATION (32, 34, AWL, AND 36 RHYTHM FORKS)

Wheel installation is identical for both the 15x100 mm and 15x110 mm quick release (QR) axles.

1. Install the front wheel into the fork dropouts. Slide the axle through the non-drive side dropout and hub.
2. Open the axle lever.
3. Turn the axle clockwise 5-6 complete turns into the axle nut.
4. Close the lever. The lever must have enough tension to leave an imprint on your hand.
5. The closed lever position must be between 1-20 mm in front of the fork leg.
6. If the lever does not have enough tension, or has too much tension when closed at the recommended position (1-20 mm in front of the fork), see the next section for adjustment instructions.

WARNING

Use hand pressure only. Never use any tool to tighten the quick release lever. Over-tightening the levers can damage the axle or fork dropouts, leading to a sudden failure with one or more of these components, resulting in SEVERE INJURY OR DEATH. Failure to secure the axle properly can cause the wheel to become detached from the bicycle, resulting in SEVERE INJURY OR DEATH.



QR Lever Open

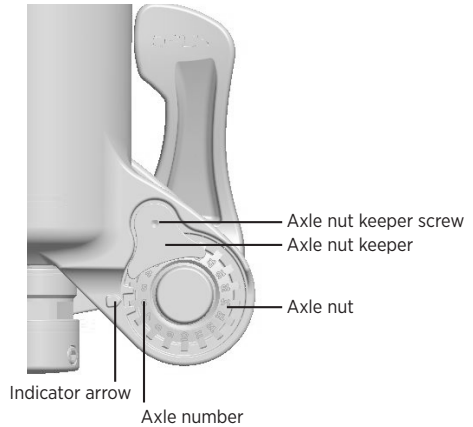


QR Lever Closed



ADJUST THE QUICK RELEASE (32, 34, AND 36 RHYTHM FORKS)

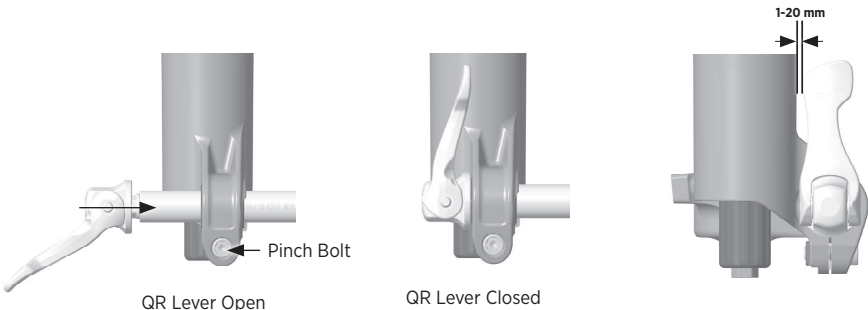
1. Note the axle number, which is the number at the indicator arrow.
2. Use a 2.5 mm hex wrench to loosen the axle nut keeper screw approximately 4 turns, but do not completely remove the screw.
3. Move the quick release lever to the open position and unthread the axle approximately 4 turns.
4. Push the axle in from the open lever side. This will push the axle nut keeper out and allow you to rotate it out of the way.
5. Continue to push on the axle and turn the axle nut clockwise to increase the lever tension, or counter-clockwise to decrease the lever tension.
6. Return the axle nut keeper into place and torque the bolt to 0.9 N-m (8 in-lb).
7. Repeat the axle installation instructions to verify proper installation and adjustment.



15 MM QUICK RELEASE INSTALLATION (36 AND 38 FORKS)

1. Loosen the pinch bolt, then install the front wheel into the fork dropouts. Slide the axle through the drive side dropout and hub.
2. Open the axle lever and pinch bolt.
3. Turn the axle clockwise 5-6 complete turns into the axle nut.
4. Close the lever. The lever must have enough tension to leave an imprint on your hand.
5. The closed lever position must be between 1-20 mm in front of the fork leg.
6. If the lever does not have enough tension, or has too much tension when closed at the recommended position (1-20 mm in front of the fork), see the next section for adjustment instructions.
7. Compress the fork a couple of times to ensure that the lower leg has settled into its low-friction point.
8. Tighten the pinch bolt on the drive side dropout to 5.1 N-m (45 in-lb) torque.

IMPORTANT: You will only need to tighten the pinch bolt during your first wheel installation. After tightening the pinch bolt, you may remove the QR axle and replace it without loosening or retightening the pinch bolt. If you are changing wheels or hubs, it is likely that the pinch bolt will need to be adjusted by following these installation instructions starting at step 1.



ADJUST THE QUICK RELEASE (AWL, 36, AND 38 FORKS)

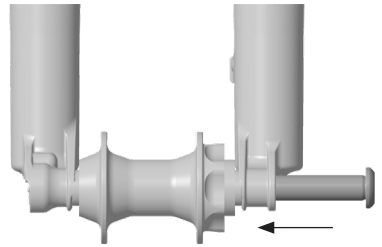
1. Note which direction the axle lever needs to turn to achieve proper orientation.
2. Open the axle lever in the fork.
3. While holding the QR lever open and stationary so it cannot rotate, use a 4 mm hex wrench in the center of the end of the axle to adjust the lever position. With the 4 mm adjuster set properly, you should start to feel tension in the axle when the QR lever is 90 degrees before full closure in the vertical position.
4. Repeat the axle installation instructions to verify proper installation and adjustment.

KABOLT INSTALLATION (AX, 32, 34, AND 36 RHYTHM FORKS)

Wheel installation is identical for the 15x100 mm, 15x110 mm, and 12x100 mm Kabolt axle.

IMPORTANT: The Kabolt designed for the 2022 32 and 34 forks, along with the 2021 36 Rhythm fork, is not compatible with the 2022 36 and 38 forks.

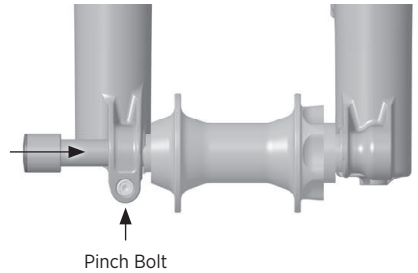
1. Install the front wheel into the fork dropouts. Slide the Kabolt axle through the non-drive side dropout and hub.
2. Use a 6 mm (5 mm for AX forks) hex wrench to torque the **Kabolt** axle (clockwise) to the torque specification that is etched on the head of the Kabolt.



KABOLT X INSTALLATION (36 AND 38 FORKS)

IMPORTANT: The KaboltX is only compatible with the 2021+ 36 and 38 forks.

1. Loosen the pinch bolt, then install the front wheel into the fork dropouts. Slide the KaboltX axle through the drive side dropout and hub.
2. Use a 6 mm hex wrench to torque the KaboltX axle clockwise to the torque specification that is etched on the head of the Kabolt.
3. Compress the fork a couple of times to ensure that the lower leg has settled into its low-friction point.
4. Tighten the pinch bolt on the drive side dropout to 5.1 N-m (45 in-lb) torque.



TIRE CLEARANCE TEST

⚠ WARNING

If a fender or mud guard is to be used, it should be installed while performing the tire clearance test.

1. Release all air pressure from the fork by depressing the Schrader valve.

⚠ WARNING

FOX forks may contain high air pressures. Release ALL air pressure from the main air chamber before disassembly. Failure to do so may result in parts or fluids ejecting from the fork, which can cause SEVERE INJURY OR DEATH.

2. Compress the fork completely.
3. Measure the distance from the edges of the inflated tire to the fender/mud guard, crown, fork brace, and steerer. There must be AT LEAST 8.5 mm of clearance around the entire tire.

⚠ WARNING

Failure to leave at least 8.5 mm of clearance between the edges of the inflated tire and the fender/mud guard, crown, fork brace, and steerer may cause the tire to jam against the crown when the fork is fully compressed, which can result in SEVERE INJURY OR DEATH.

4. Add air pressure to your desired setting using a FOX high-pressure pump. Set the sag according to instructions online at www.ridefox.com.
5. You must repeat this test EVERY time you change tires or rims.

⚠ WARNING

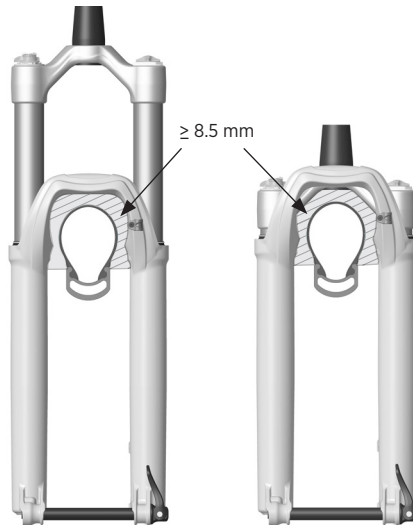
Do not exceed maximum air pressure:

- 32 FLOAT, AX, and Rhythm maximum air pressure is 140 psi.
- 34 FLOAT, AWL, and Rhythm maximum air pressure is 120 psi.
- 36 FLOAT maximum air pressure is 120 psi.
- 38 FLOAT maximum air pressure is 140 psi.
- 40 FLOAT maximum air pressure is 120 psi.

Minimum air pressure is:

40 psi for all FLOAT and Rhythm forks.

Pressure measured at an ambient temperature of 70-75 °F. Normal operating temperature range for FOX products is 20-140 °F.



AIR SPRING VOLUME SPACERS (FLOAT AND RHYTHM FORKS ONLY)

Changing volume spacers in FOX FLOAT and Rhythm forks is an easy internal adjustment that allows you to change the amount of mid stroke and bottom out resistance. If you have set your sag correctly and are using full travel (bottoming out) too easily, then you could install one or more spacers to increase bottom out resistance. If you are not using full travel, then you could remove one or more spacers to decrease bottom out resistance.

Note: Some 32 FLOAT forks come with a factory installed hollow volume spacer. Standard blue 32 mm volume spacers can be added to the hollow volume spacer to further reduce air volume if desired.

1. Remove the air cap.
2. Release all air pressure from the fork by depressing the Schrader valve.

⚠ WARNING

FOX forks may contain high air pressures. Release ALL air pressure from the main air chamber before disassembly. Failure to do so may result in parts or fluids ejecting from the fork, which can cause SEVERE INJURY OR DEATH.

3. **For 40 forks only:** Use a 5 mm hex wrench to loosen the air-side upper crown pinch bolt.
4. Carefully unthread the topcap from the fork with a 6-point chamfer-less 26 mm socket (for 36, 38, and 40 Forks, use a 6-point chamfer-less 32 mm socket, and for AX forks use a Park Tool FR-5 or FR-5.2 Cassette tool).
5. Pull up to remove the topcap assembly from the fork crown.
6. Slide the air volume spacer or spacers horizontally to install or remove them from the topcap.

⚠ WARNING

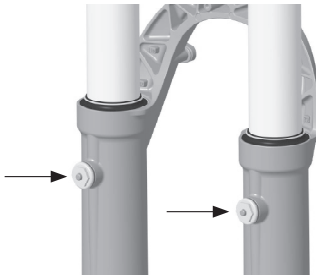
Do not exceed the maximum number of volume spacers for your fork. This can damage your fork. Find volume spacer information online at www.ridefox.com.

7. Reinstall the topcap assembly into the fork crown and tighten to 24.8 N-m (220 in-lb) with a 6-point chamfer-less 26 mm socket (for 36, 38, and 40 Forks, use a 6-point chamfer-less 32 mm socket, and for AX forks use a Park Tool FR-5 or FR-5.2 Cassette tool).
For 40 forks only: Use a 5 mm hex wrench to tighten the air-side upper crown pinch bolt to 7.3 N-m (65 in-lb).
8. Add air pressure to your desired setting using a FOX high-pressure pump. Set the sag according to instructions online at www.ridefox.com.

AIR RELEASE BUTTON/LOWER LEG BLEEDERS (36, 38, AND 40 FORKS)

The Air Release Button at the rear of each fork leg allows for built up air pressure to be released for optimal performance. With the fork in the upright position, hold each button for 5-10 seconds.

IMPORTANT: You may notice some bath oil may come out of the bleeders during actuation, this is normal.



REMOTE INSTALLATION

The remote can either be installed under the handlebar on the non-drive side, where a front shifter would typically be placed, or installed above the handlebar on the drive side. The remote can be used with two cables to control the fork and shock simultaneously.

FIT4 DAMPERS (PUSH-TO-LOCK AND PUSH-TO-UNLOCK)

1. Install the remote lever onto the handlebar. Do not exceed 1.7 N-m (15 in-lb). Less torque may be needed for carbon bars. Refer to the handlebar manufacturer's instructions for use with carbon bars. Make sure to check for clearance between the remote lever and any brake or shifter controls.
2. **For Push-to-Lock forks only:** route the cable housing from the remote lever, around the rear of the crown, to the fork topcap cable stop and cut to length. Install a ferrule on the end of the housing at the remote.
For Push-to-Unlock forks only: route the cable housing from the remote lever, across the front of the crown, to the fork topcap cable stop and cut to length. Install ferrules on both ends of the cable housing.
3. Push the release lever to set the remote lever to OPEN mode. Make sure that the cable head is completely seated in the remote lever.
4. Install a short piece of housing with one ferrule between the in-line barrel adjuster and the remote lever body.
5. With all cable housing fully seated and no slack in the system, lightly lubricate the inner cable and thread it through the cable housing and around the fork remote pulley.
6. While holding the cable tight, tighten the pinch bolt, cut off excess cable, and crimp the end.

GRIP PUSH-TO-LOCK DAMPERS

1. Install the remote lever onto your handlebar. Do not exceed 1.7 N-m (15 in-lb). Less torque may be needed for carbon bars. Refer to the handlebar manufacturer's instructions for use with carbon bars. Make sure to check for clearance between the remote lever and any brake or shifter controls.
2. Route the cable housing from the fork topcap, around the rear of the crown, to the remote lever and cut to length. Install a ferrule on the end of the housing at the remote lever and at the fork topcap.
3. Install a short piece of housing with one ferrule between the in-line barrel adjuster and the remote lever body.
4. Push the larger remote lever to its actuated position, this is FIRM mode. Make sure that the cable head is completely seated in the remote lever.
5. Use a 5 mm hex wrench to turn the remote pulley clockwise to approximately 0.56 N-m (5 in-lb). While holding the 5 mm hex and pulley in this position, push on the fork to see if the blow off force is sufficient for your preference. Adjust the pulley clockwise for more FIRM mode force, counter-clockwise for less FIRM mode force until you find your desired setup. Note the position of the pulley set screw for your desired setup.
6. With all cable housing fully seated and no slack in the system, lightly lubricate the inner cable and thread it through the cable housing and around the fork remote pulley. With the 5 mm hex wrench still holding the remote pulley in the position for your desired FIRM mode force (from Step 5), tighten the pinch bolt to 1.13 N-m (10 in-lb).
7. Release the 5 mm hex wrench from the remote pulley. Test the remote actuation to make sure it is functioning properly. Then cut off the excess inner cable and crimp the end.
8. The in-line barrel adjuster may be used to change the lockout blow-off force. Clockwise barrel adjustment increases blow-off force, while counter-clockwise adjustment decreases blow-off force.

GRIP PUSH-TO-UNLOCK DAMPERS

1. Install the remote lever onto your handlebar. Do not exceed 1.7 N-m (15 in-lb). Less torque may be needed for carbon bars. Refer to the handlebar manufacturer's instructions for use with carbon bars. Make sure to check for clearance between the remote lever and any brake or shifter controls.
2. Route the cable housing from the fork topcap, around the rear of the crown, to the remote lever and cut to length. Install a ferrule on the end of the housing at the remote lever and at the fork topcap.
3. Install a short piece of housing with one ferrule between the in-line barrel adjuster and the remote lever body.
4. Leave the actuation lever in its un-actuated position, this is FIRM mode. Make sure that the cable head is completely seated in the remote lever.
5. Note that the Push-to-Unlock damper is in FIRM mode by default. Push on the fork to see if the FIRM mode blow off force is sufficient for your preference. If so move to Step 6. If not, use a 5mm hex on the pulley to adjust the pulley slightly (clockwise for more FIRM mode force, counter-clockwise for less FIRM mode force) to find your desired setup.
6. With all cable housing fully seated and no slack in the system, lightly lubricate the inner cable and thread it through the cable housing and around the fork remote pulley. If needed (from Step 5), with the 5 mm hex wrench still holding the remote pulley in the position for your desired FIRM mode force, tighten the pinch bolt to 1.13 N-m (10 in-lb).
7. Release the 5 mm hex wrench from the remote pulley. Test remote actuation to make sure it is functioning properly. Cut off the excess inner cable and crimp the end.
8. The in-line barrel adjuster may be used to change the lockout blow-off force. Clockwise barrel adjustment decreases blow-off force, while counter-clockwise adjustment increases blow-off force.

SERVICE

Properly cleaning your FOX product between rides, in addition to maintenance service scheduled at regular intervals, will help to reduce repair costs and extend product life.

For further service procedures information, visit www.ridefox.com/OwnersManuals, or contact FOX for complete maintenance service (1.800.369.7469 or mtbservice@ridefox.com).

Minimum Recommended Service Items	Before every ride	After every ride	Regularly	Every 125 hours or yearly, whichever comes first*
Inspect the entire exterior of your fork/shock. The fork/shock should not be used if any of the exterior parts appear to be damaged. Contact your local dealer or FOX for repair.	X			
Check that quick-release levers and axles are properly adjusted and tightened.	X			
Check your headset adjustment. If loose, adjust it accordingly to your bicycle manufacturer's recommendations.	X			
Check that all brake cables or hoses are properly fastened. Test the proper operation of your front and rear brakes on level ground.	X			
Clean exterior with mild soap and water only, then wipe dry with a soft towel. Do not use a high-pressure washer or spray water directly at the seal/shock body junction.		X		
Check sag and damper settings. Inspect the controls for visual damage and function.			X	
Full service (full internal/external inspection, damper rebuild, air seal replacement for air shocks, air spring rebuild, bath oil and wiper replacement).				X

*For those who ride lift-accessed DH, Park, or Extreme Freeride or in extremely wet/muddy or dry/dusty environmental conditions where trail debris is sprayed onto the fork while on the trail, FOX encourages riders to perform maintenance earlier than recommended above as needed. If you hear, see, or feel something unusual, stop riding immediately and contact a FOX Authorized Service Center for proper servicing.

SEE ADDITIONAL INFORMATION AND VIDEOS:

ridefox.com

Fox Factory, Inc., a California corporation having offices at 915 Disc Dr, Scotts Valley, CA 95066 ("Fox"), makes the following LIMITED WARRANTY with respect to its suspension products:

FOX LIMITED WARRANTY

LIMITED ONE (1) YEAR WARRANTY ON SUSPENSION PRODUCTS

Subject to the limitations, terms and conditions hereof, Fox warrants, to the original retail owner (consumer) of each new Fox suspension product, that the Fox suspension product, when new, is free from defects in materials and workmanship. This limited warranty expires one (1) year from the date of the original Fox suspension product retail purchase from an authorized Fox dealer or from a Fox authorized Original Equipment Manufacturer where Fox suspension is included as original equipment on a purchased vehicle.

TERMS OF WARRANTY

This limited warranty is conditioned on the Fox suspension product being operated under normal conditions and properly maintained as specified by Fox. This limited warranty is only applicable to Fox suspension purchased new from an authorized Fox source and is made only to the original retail owner (consumer) of the new Fox suspension product and is not transferable to subsequent owners.

Should it be determined, by Fox in its sole and final discretion, that a Fox suspension product is covered by this limited warranty, it will be repaired or replaced, by a comparable model, at Fox's sole option, which will be conclusive and binding. THIS IS THE EXCLUSIVE REMEDY UNDER THIS LIMITED WARRANTY. ANY AND ALL OTHER REMEDIES AND DAMAGES THAT MAY OTHERWISE BE APPLICABLE UNDER THIS LIMITED WARRANTY ARE EXCLUDED, INCLUDING, BUT NOT LIMITED TO, INCIDENTAL OR CONSEQUENTIAL DAMAGES OR PUNITIVE DAMAGES.

This limited warranty does not apply to normal wear and tear, malfunctions or failures that result from abuse, neglect, improper assembly, alteration or modification, improper or unauthorized repair or maintenance, crash, accident or collision, or other abnormal, excessive or improper use.

This limited warranty gives the consumer specific legal rights. The consumer may also have other legal rights under the applicable national laws which are not affected by this limited warranty. If it is determined by a court of competent jurisdiction that a certain provision of this limited warranty does not apply, such determination shall not affect any other provision of this limited warranty and all other provisions shall remain in effect.

THIS IS THE ONLY WARRANTY MADE BY FOX ON ITS SUSPENSION PRODUCTS AND COMPONENTS, AND THERE ARE NO WARRANTIES WHICH EXTEND BEYOND THE DESCRIPTION HEREIN. ANY WARRANTIES THAT MAY OTHERWISE BE IMPLIED BY LAW INCLUDING, BUT NOT LIMITED TO, ANY IMPLIED WARRANTY OF MERCHANTABILITY OR FITNESS FOR A PARTICULAR PURPOSE ARE EXCLUDED.

This limited warranty shall be governed exclusively by the laws of the State of California.

When making a claim under this Limited Warranty you will be required to provide to an authorized FOX Service Center:

1. The Product (or the affected part) and
2. A copy of the original proof of purchase, which clearly indicates the name and address of the seller, the date and place of purchase, the product part number and if utilized, a serial number. If FOX products are sold as part of a complete bicycle, the bicycle brand, model, model year, and serial number should be included.

FÉLICITATIONS !

Nous vous remercions d'avoir choisi une suspension FOX pour votre vélo. Les suspensions FOX sont conçues et testées par les professionnels les plus compétents dans ces domaines, dans la région de Santa Cruz en Californie (USA).

Suivez les conseils et les instructions fournis dans ce manuel technique afin d'apprendre à régler, utiliser et entretenir correctement votre nouveau composant FOX.

Pour obtenir de plus amples informations, consultez les vidéos disponibles à l'adresse <http://www.ridefox.com/OwnersManuals>, ou contactez FOX USA par téléphone au 1.800.369.7469, par e-mail à l'adresse mtbservice@ridefox.com, ou bien encore contactez un centre d'entretien agréé FOX International à l'adresse <http://www.ridefox.com/GlobalDistributors>. Si vous ne disposez pas d'un accès à Internet, contactez FOX pour demander gratuitement une version papier du manuel électronique de l'utilisateur FOX correspondant à votre produit.

⚠ AVERTISSEMENT ET CONSIGNES DE SÉCURITÉ

Les produits FOX doivent être installés par un mécanicien vélo professionnel, conformément aux instructions d'installation de FOX. Une fourche installée de manière inappropriée peut être défaillante, ce qui peut mener à une perte de contrôle du vélo et entraîner des BLESSURES GRAVES, VOIRE MORTELLES.

Toute modification ou altération des produits FOX peut entraîner leur défaillance et vous exposer à des BLESSURES GRAVES, VOIRE MORTELLES. Ne tentez jamais de modifier ou d'altérer UNE pièce d'un composant FOX (comme les ressorts hélicoïdaux, l'arceau des fourreaux inférieurs, le té de la fourche, le tube pivot, les tubes supérieurs, les fourreaux inférieurs, la cartouche pneumatique, la tige de selle, les entretoises pour le volume pneumatique, les pièces internes, les rondelles pour axe, les adaptateurs pour axe ou toute autre pièce).

Les produits de suspension pour cycle FOX peuvent également être utilisés sur les vélos électriques de classe 1 (classification américaine) et L1e-A (classification européenne).

Les produits de suspension FOX E-BIKE+ peuvent être utilisés sur les vélos électriques de classe 3 (classification américaine) et L1e-B (classification européenne).

N'utilisez JAMAIS les fourches FOX 32 AX, FLOAT 32 mm, Step-Cast 32 mm ou Step-Cast 34 mm sur des cycles équipés d'une assistance motorisée au pédalage ou sur des véhicules motorisés dont la vitesse maximale dépasse les 32 km/h (20 mph) ou dont le poids total maximal dépasse les 121 kg (266 lb).

N'utilisez JAMAIS les produits de suspension pour cycle FOX sur des cycles équipés d'une assistance motorisée au pédalage ou sur des véhicules motorisés dont la vitesse maximale dépasse les 32 km/h (20 mph) ou dont le poids total maximal dépasse les 140 kg (308 lb).

N'utilisez JAMAIS les produits de suspension FOX E-BIKE+ sur des cycles équipés d'une assistance motorisée au pédalage ou sur des véhicules motorisés dont la vitesse maximale dépasse les 45 km/h (28 mph) ou dont le poids total maximal dépasse les 169 kg (372 lb). N'utilisez JAMAIS de produits de suspension pour vélo FOX sur des véhicules motorisés équipés d'un accélérateur.

Le fait d'utiliser les produits de suspension FOX de manière inappropriée peut entraîner une défaillance de la suspension, des dommages matériels ainsi que des BLESSURES GRAVES, VOIRE MORTELLES. Une telle utilisation inappropriée révoque également la garantie.

N'utilisez JAMAIS les éléments de suspension pour vélo FOX sur un véhicule permettant de transporter plus d'une personne, comme par exemple des tandems ou des vélos utilitaires.

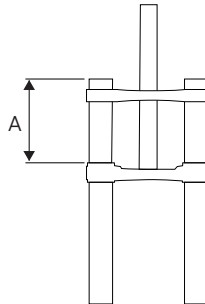
Vous ne devez ni retirer ni remplacer le tube pivot. Ceci pourrait entraîner une perte de contrôle du vélo et causer des BLESSURES GRAVES, VOIRE MORTELLES.

Ne tentez jamais de retirer ou de remplacer le tube pivot ou les tubes supérieurs indépendamment du té de la fourche. Toute modification du té intégré, du tube pivot ou des tubes supérieurs de la fourche peut provoquer une défaillance de l'ensemble, une perte de contrôle du vélo et

des BLESSURES GRAVES, VOIRE MORTELLES.

Ne coupez pas le tube pivot à plus de trois (3) mm en dessous de la pièce la plus haute. Si le tube pivot a été coupé trop court par erreur, l'unité té/tube pivot/tubes supérieurs DOIT ÊTRE REMPLACÉE ! L'utilisation d'une fourche dont le tube pivot est insuffisamment engagé dans le collier peut entraîner la rupture soudaine de la fourche, la perte de contrôle du vélo et des BLESSURES GRAVES, VOIRE MORTELLES.

La position des tubes supérieurs FOX de 40 mm pour 27,5 po et 29 po est réglée en atelier de manière à laisser passer un pneu de 2,50 po même en position de talonnage. La distance normale entre le haut du té et le haut des tubes supérieurs est de 137,50 mm (A). N'augmentez jamais la longueur entre le haut du té et le haut des tubes supérieurs au-delà de 137,00 mm. Avec des tubes supérieurs situés à plus de 137,00 mm, le dégageant entre le pneu et le té serait réduit, ce qui pourrait entraîner une perte de contrôle du vélo et des BLESSURES GRAVES, VOIRE MORTELLES.



Ne réduisez jamais la longueur entre le haut du té et le haut des tubes supérieurs au-delà de 127,00 mm (A). Des tubes supérieurs situés à moins de 127,00 mm pourraient entraîner une défaillance des composants et des BLESSURES GRAVES, VOIRE MORTELLES.

N'installez jamais de garde-boue FOX 40 sans avoir d'abord réglé la distance entre le haut du té et le haut des tubes supérieurs à 132 mm (A). La distance entre le haut du té et le haut des tubes supérieurs avec une fourche FOX 40 équipée d'un garde-boue FOX 40 DOIT ÊTRE ABSOLUMENT ÉGALE À 132 mm ; sinon, cela pourrait entraîner des BLESSURES GRAVES, VOIRE MORTELLES.

Si vous notez en y passant le doigt des éraflures ou des entailles sur le tube pivot, il faut remplacer l'unité té/tube pivot. Des éraflures ou des entailles sur le tube pivot risquent de provoquer sa rupture, ce qui peut entraîner une perte de contrôle du vélo et des BLESSURES GRAVES, VOIRE MORTELLES.

N'essayez jamais de fileter un tube pivot sur les fourches FOX équipées d'un tube pivot sans filetage. Fileter un tube

pivot sans filetage peut provoquer sa rupture, ce qui peut entraîner une perte de contrôle du vélo et des BLESSURES GRAVES, VOIRE MORTELLES.

N'empilez jamais plus de 30 mm d'entretoises sous la potence serrée sur le tube pivot, car ce type de montage peut entraîner une rupture du tube pivot susceptible d'entraîner une perte de contrôle du vélo et des BLESSURES GRAVES, VOIRE MORTELLES.

Ne laissez jamais des objets tels qu'un câble ou une gaine de câble frotter contre le tube pivot d'une fourche. Si votre vélo possède des passages internes pour les câbles et les gaines de câbles, consultez les consignes de sécurité dans le manuel fourni par le fabricant de votre vélo. Le frottement d'un câble et/ou d'une gaine de câble contre un tube pivot peut provoquer la rupture du tube pivot, ce qui peut entraîner une perte de contrôle du vélo et des BLESSURES GRAVES, VOIRE MORTELLES.

Une gaine de câble qui frotte sur le té de la fourche va progressivement endommager le té de la fourche par abrasion. Si le frottement ne peut être évité, protégez la surface au point de contact avec un ruban adhésif ou une protection similaire. La garantie FOX ne couvre pas une telle usure par abrasion des tés de fourches FOX.

Un entretien inapproprié ou l'utilisation de pièces détachées d'autres marques pour les fourches et suspensions FOX peut provoquer un dysfonctionnement du composant et vous exposer à des BLESSURES GRAVES, VOIRE MORTELLES.

De la poussière et des débris peuvent s'accumuler dans les ouvertures des pattes de la fourche ; examinez toujours cette zone et nettoyez-la avant d'installer la roue.

Un montage inapproprié du moyeu ou de l'axe peut entraîner des BLESSURES GRAVES, VOIRE MORTELLES.

Ne nettoyez jamais votre produit FOX à l'aide d'un nettoyeur haute-pression.

Si votre fourche perd de l'huile, talonne de manière excessive en compression ou en détente ou émet des bruits inhabituels, cessez immédiatement d'utiliser la fourche et contactez FOX ou un centre d'entretien agréé FOX afin de la faire examiner ou réparer.

Sur les fourches 32 AX, il faut un espace minimum de 8,5 mm entre les bords du pneu gonflé et le garde-boue ou le té et le

tube pivot en position de talonnage. Pour les fourches 32 AX, n'utilisez jamais un pneu d'une largeur supérieure à 700 c x 50 mm. Un garde-boue peut être utilisé avec un pneu allant jusqu'à 700 c x 45 mm. N'utilisez JAMAIS un pneu d'une largeur supérieure à 700 c x 45 mm avec un garde-boue car l'espace libre autour du pneu serait insuffisant. Si l'espace libre est insuffisant, le pneu risque de frotter contre le té ou le garde-boue lorsque la fourche est totalement comprimée, ce qui peut provoquer des BLESSURES GRAVES VOIRE MORTELLES.

Les éclairages montés sur les fourches AWL doivent laisser un espace d'au moins 8,5 mm autour de tous les composants de garde-boue et de toutes les pièces mobiles. S'il n'y a pas au moins 8,5 mm d'espace entre le support de l'éclairage et le garde-boue ou les autres pièces mobiles, il se peut que le pneu vienne toucher ces éléments lorsque la fourche est totalement comprimée, ce qui peut provoquer DES BLESSURES GRAVES VOIRE MORTELLES.

Pour mettre en place et régler correctement le système de freinage, suivez les instructions d'installation du fabricant de vos freins. Une installation et des réglages inappropriés des freins peuvent entraîner une perte du contrôle du vélo et provoquer des BLESSURES GRAVES, VOIRE MORTELLES.

Votre fourche et votre amortisseur peuvent aussi être défectueux en cas de déformation et/ou de casse de n'importe quelle pièce de la fourche ou de l'amortisseur. Toute situation entraînant une fuite d'air et/ou d'huile, comme un choc ou de longues périodes d'inutilisation, peut également entraîner une défaillance de votre fourche ou de votre amortisseur. Une fourche ou un amortisseur endommagé et/ou présentant une fuite peut être défaillant, ce qui peut entraîner une chute et des BLESSURES GRAVES, VOIRE MORTELLES. Si vous pensez que votre fourche ou votre amortisseur a été endommagé, cessez immédiatement d'utiliser votre vélo et contactez FOX pour une révision ou une réparation.

Un porte-bagages monté sur la fourche peut endommager les fourreaux de la fourche et/ou les pattes de fixation, notamment lorsqu'un seul côté de la fourche est chargé et/ou lorsque la roue arrière n'est pas fixée au porte-bagages. Des fourreaux de fourche et/ou des pattes de fixation endommagés peuvent être défaillants, ce qui peut entraîner une chute et DES BLESSURES GRAVES, VOIRE MORTELLES. Si vous pensez que votre fourche a été endommagée, contactez FOX pour une révision ou une réparation.

INSTALLATION DE LA FOURCHE

1. Démontez l'ancienne fourche du vélo. Retirez la bague de té de l'ancienne fourche. Mesurez la longueur du tube pivot de l'ancienne fourche puis reportez cette mesure sur le tube pivot de votre nouvelle fourche FOX. Si vous n'avez pas de fourche à mesurer, mesurez la hauteur du jeu de direction (toutes les pièces du jeu de direction ainsi que le tube à l'avant du cadre) et reportez-vous aux instructions du fabricant de votre potence pour être certain que la surface de serrage sera suffisante.
2. Coupez le tube pivot à la longueur appropriée.
Pour les fourches à simple té (32, 34, 36 et 38 mm) et la fourche à double té (40 mm) avec un montage de la potence sur le tube pivot : faites une marque sur le tube pivot et coupez-le à la longueur appropriée.
Pour les fourches à double té (40 mm) avec une potence à montage direct : faites une marque sur le tube pivot, juste au-dessus du té supérieur. Retirez la fourche et coupez à 3 mm en dessous de la marque. Ces 3 mm laissent de l'espace pour que le capuchon de la potence exerce une légère précontrainte sur le jeu de direction et élimine tout jeu.

AVERTISSEMENT

Avant de couper, consultez les instructions du fabricant du jeu de direction et de la potence afin de vous assurer que le tube pivot sera assez long pour fixer la potence sur le tube. Une installation inappropriée peut provoquer la séparation de la potence et du tube pivot, ce qui peut entraîner une perte de contrôle du vélo et DES BLESSURES GRAVES, VOIRE MORTELLES.

3. Mettez le jeu de direction en place. Veillez à toujours utiliser un jeu de direction sans filetage (type headset) neuf et à respecter les instructions d'installation du fabricant du jeu de direction.
4. Utilisez une bague de té de 39,8 mm pour les tubes pivots de 1 pouce 1/2 et une bague de té de 29,9 mm pour les tubes pivots de 1 pouce 1/8. Placez la bague de té fermement contre le haut du té à l'aide d'un outil de montage approprié.

- À l'aide d'un outil d'installation d'écrous en étoile, installez l'écrou en étoile de 4 à 10 mm en-dessous du haut du tube pivot.
- Mettez la fourche en place sur le vélo.
Pour les fourches à simple té et à double té FOX : installez les pièces des roulements du jeu de direction ainsi que la potence en respectant les instructions du fabricant du jeu de direction. Réglez la précontrainte du jeu de direction comme indiqué jusqu'à ce qu'il n'y ait ni jeu ni frottement. Serrez les boulons du collier de la potence en respectant les valeurs de couple recommandées par le fabricant de la potence.
Pour les fourches à double té FOX : remettez en place les bagues de protection du cadre sur les tubes supérieurs. À l'aide d'une clé dynamométrique, serrez tous les boulons de maintien des té inférieur et supérieur à un couple de 7,3 N-m (65 in-lb).
 Remarque : la fourche FOX 40 peut être montée indifféremment avec une potence à montage direct ou à montage sur le tube pivot. Le couple appliqué au boulon de la potence à montage direct sur le té ne doit pas dépasser 12,4 N-m (110 in-lb).

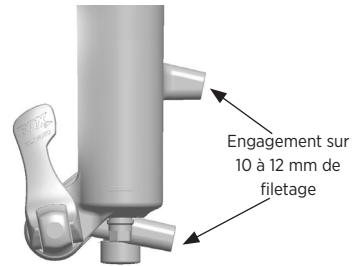
⚠ AVERTISSEMENT

La fourche 32 AX doit être installée sur le vélo avec l'arceau des fourreaux inférieurs tourné vers l'arrière du vélo. Toutes les autres fourches FOX doivent être installées sur le vélo avec l'arceau des fourreaux inférieurs tourné vers l'avant du vélo. Une fourche installée de manière inappropriée peut être défaillante, ce qui peut entraîner une perte de contrôle du vélo et provoquer des BLESSURES GRAVES VOIRE MORTELLES.

- Avec les fourches 32 Step Cast de 27,5 po., 34 Step Cast et AX, la taille maximale du disque de frein ne doit pas dépasser 180 mm. Avec toutes les autres fourches FOX de 32 et 34 (y compris les 32 Step Cast de 29 po), on peut utiliser un disque de frein allant jusqu'à 203 mm. Avec toutes les autres fourches FOX AWL, 36, 38 et 40, on peut utiliser un disque de frein allant jusqu'à 230 mm

⚠ AVERTISSEMENT

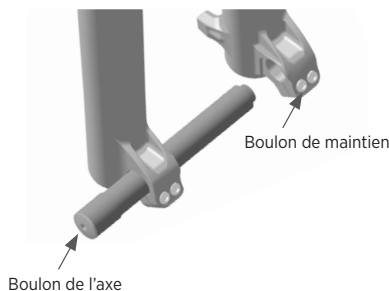
Les boulons de fixation de l'étrier de frein à disque doivent être engagés sur au moins 10 à 12 mm de filetage dans la fourche. À l'aide d'une clé dynamométrique, serrez les boulons de fixation de l'étrier en respectant les valeurs de couple recommandées par le fabricant des freins à disque sans dépasser 10,2 Nm (90 in-lb). Une installation inappropriée peut provoquer une défaillance des freins, ce qui peut entraîner une perte de contrôle du vélo et DES BLESSURES GRAVES VOIRE MORTELLES.



- Faites passer la durite ou la gaine du frein à disque avant à l'intérieur du fourreau inférieur, en faisant passer à travers le guide de gaine fourni pour les freins à disque. À l'aide d'une clé dynamométrique, serrez la vis du guide de gaine du frein à disque à un couple de 0,9 N-m (8 in-lb).

INSTALLATION DE L'AXE BOOST 20X110 (FOURCHE 40)

- Installez la roue avant dans les pattes de fixation, puis insérez l'axe à travers les pattes et le moyeu.
- À l'aide d'une clé dynamométrique équipée d'une douille hexagonale de 5 mm, serrez le boulon de l'axe à un couple de 2,2 N-m (19 in-lb).
- Serrez les deux boulons de maintien situés sur la patte de fixation du côté opposé à la chaîne à un couple de 2,2 N-m (19 in-lb).
- Comprimez la fourche à plusieurs reprises pour vous assurer que le fourreau inférieur s'est bien mis en place au point de friction le plus bas.
- Serrez les deux boulons de maintien situés sur la patte de fixation du côté de la chaîne à un couple de 2,2 N-m (19 in-lb).



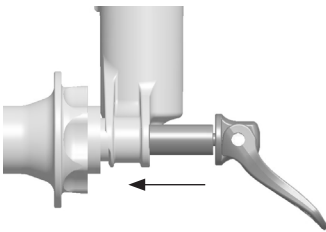
INSTALLATION DU BLOCAGE RAPIDE DE 15 MM (FOURCHES 32, 34, AWL ET 36 RHYTHM)

L'installation de la roue est identique avec les axes à blocage rapide (QR) de 15x100 mm et de 15x110 mm.

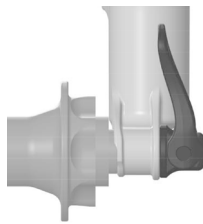
1. Installez la roue avant dans les pattes de fixation de la fourche. Insérez l'axe à travers la patte de fixation du côté opposé à la chaîne et à travers le moyeu.
2. Mettez le levier de l'axe en position ouverte.
3. Faites tourner l'axe dans le sens des aiguilles d'une montre de 5 à 6 tours complets dans l'écrou de l'axe.
4. Rabattez le levier en position fermée. Le levier doit être suffisamment dur pour vous laisser une marque dans la paume de la main.
5. Le levier, une fois fermé, doit se trouver entre 1 et 20 mm devant le fourreau de la fourche.
6. Si le levier n'est pas suffisamment dur ou s'il est trop dur lorsque vous le mettez dans la position recommandée (entre 1 et 20 mm devant la fourche), reportez-vous au chapitre suivant pour prendre connaissance des instructions de réglage.

⚠ AVERTISSEMENT

N'utilisez que la force de votre main pour serrer. N'utilisez jamais d'outil pour serrer le levier de blocage rapide. Si vous serrez trop fort les leviers, vous risquez d'endommager l'axe ou les pattes de la fourche, ce qui peut provoquer une rupture soudaine de l'un ou de plusieurs de ces composants et vous exposer à des BLESSURES GRAVES, VOIRE MORTELLES. Le fait de ne pas fixer l'axe correctement peut amener la roue à se détacher du vélo, ce qui peut entraîner des BLESSURES GRAVES, VOIRE MORTELLES.



Levier de blocage rapide ouvert

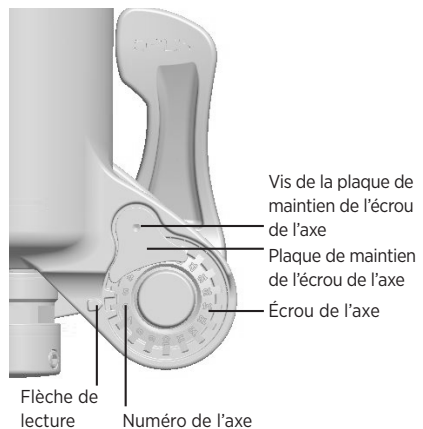


Levier de blocage rapide fermé



RÉGLAGE DU BLOCAGE RAPIDE (FOURCHES 32, 34 ET 36 RHYTHM)

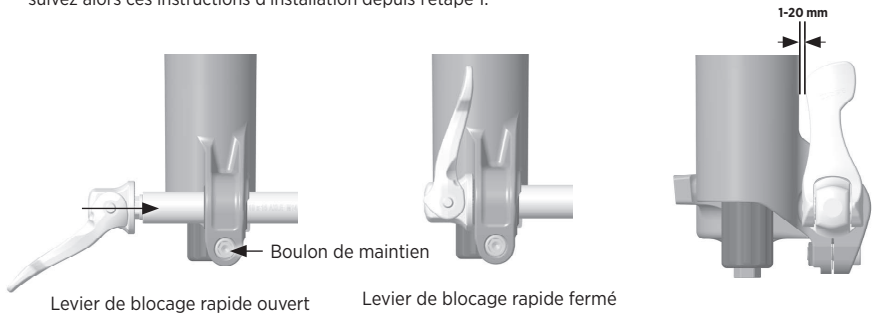
1. Notez le numéro de l'axe qui correspond à la valeur située en face de la flèche de lecture.
2. À l'aide d'une clé hexagonale de 2,5 mm, desserrez la vis de la plaque de maintien de l'écrou de l'axe d'environ 4 tours, mais ne retirez pas complètement la vis.
3. Tournez le levier du blocage rapide en position ouverte et dévissez l'axe d'environ 4 tours.
4. Repoussez l'axe à l'intérieur depuis le côté du levier ouvert. Ceci repoussera la plaque de maintien de l'écrou de l'axe et vous permettra de la faire tourner afin qu'elle ne gêne plus.
5. Sans cesser de repousser l'axe, faites tourner l'écrou de l'axe dans le sens des aiguilles d'une montre pour augmenter la tension du levier ou dans le sens inverse des aiguilles d'une montre pour diminuer la tension du levier.
6. Remettez la plaque de maintien de l'écrou de l'axe en place et serrez le boulon à un couple de 0,9 N-m (8 in-lb).
7. Reprenez les instructions d'installation de l'axe afin de vérifier que le système est correctement installé et réglé.



INSTALLATION DU BLOCAGE RAPIDE DE 15 MM (FOURCHES 36 ET 38)

1. Desserrez le boulon de maintien puis installez la roue avant dans les pattes de fixation de la fourche. Insérez l'axe à travers la patte de fixation du côté de la chaîne et à travers le moyeu.
2. Ouvrez le levier de l'axe et desserrez le boulon de maintien.
3. Faites tourner l'axe dans le sens des aiguilles d'une montre de 5 à 6 tours complets dans l'écrou de l'axe.
4. Rabattez le levier en position fermée. Le levier doit être suffisamment dur pour vous laisser une marque dans la paume de la main.
5. Le levier, une fois fermé, doit se trouver entre 1 et 20 mm devant le fourreau de la fourche.
6. Si le levier n'est pas suffisamment dur ou s'il est trop dur lorsque vous le fermez dans la position recommandée (entre 1 et 20 mm devant la fourche), reportez-vous au chapitre suivant pour prendre connaissance des instructions de réglage.
7. Comprimez la fourche à plusieurs reprises pour vous assurer que les fourreaux inférieurs se sont bien mis en place au point de friction le plus bas.
8. Serrez le boulon de maintien situé sur la patte de fixation du côté de la chaîne à un couple de 5,1 N-m (45 po-lb).

IMPORTANT : il faudra uniquement serrer le boulon de maintien lors de l'installation de votre roue pour la première fois. Une fois le boulon de maintien serré, vous pourrez retirer l'axe du blocage rapide et le remplacer sans avoir à desserrer ou resserrer le boulon de maintien. Si vous changez les roues ou les moyeux, le boulon de maintien devra sûrement être réglé ; suivez alors ces instructions d'installation depuis l'étape 1.



RÉGLAGE DU BLOCAGE RAPIDE FOURCHES AWL, 36 ET 38

1. Repérez dans quelle direction le levier de l'axe doit tourner pour être parfaitement positionné.
2. Ouvrez le levier de l'axe dans la fourche.
3. Tout en maintenant le levier de blocage rapide en position ouverte et fixe de manière à ce qu'il ne tourne pas, insérez une clé hexagonale de 4 mm dans l'extrémité de l'axe pour régler la position du levier. Si la clé de réglage de 4 mm est correctement positionnée, vous devez commencer à ressentir une tension dans l'axe lorsque le levier de blocage rapide est incliné à 90 degrés avant sa fermeture complète en position verticale.
4. Reprenez les instructions d'installation de l'axe afin de vérifier que le système est correctement installé et réglé.

INSTALLATION DU KABOLT (FOURCHES AX, 32, 34 ET 36 RHYTHM)

L'installation de la roue est identique avec un axe Kabolt de 15x100 mm, 15x110 mm et 12x100 mm

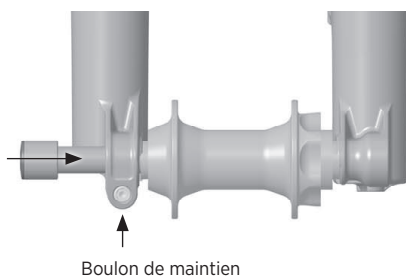
IMPORTANT : le Kabolt conçu pour les fourches 32 et 34 de 2022, ainsi que pour la fourche 36 Rhythm de 2021, n'est pas compatible avec les fourches 36 et 38 de 2022.

1. Installez la roue avant dans les pattes de la fourche. Insérez l'axe Kabolt à travers la patte située du côté opposé à la chaîne et à travers le moyeu.
2. À l'aide d'une clé hexagonale de 6 mm (5 mm pour les fourches AX), serrez l'axe **Kabolt** (dans le sens des aiguilles d'une montre) jusqu'à la valeur de couple recommandée gravée sur la tête du Kabolt.

INSTALLATION DU KABOLT X (FOURCHES 36 ET 38)

IMPORTANT : le KaboltX est uniquement compatible avec les fourches 36 et 38 de 2021 et modèles ultérieurs.

1. Desserrez le boulon de maintien puis installez la roue avant dans les pattes de la fourche. Insérez l'axe KaboltX à travers la patte située du côté de la chaîne et à travers le moyeu.
2. À l'aide d'une clé hexagonale de 6 mm, serrez l'axe KaboltX dans le sens des aiguilles d'une montre jusqu'à obtenir la valeur de couple recommandée gravée sur la tête du Kabolt.
3. Comprimez la fourche à plusieurs reprises pour vous assurer que les fourreaux inférieurs se sont bien mis en place au point de friction le plus bas.
4. Serrez le boulon de maintien situé sur la patte de fixation du côté de la chaîne à un couple de 5,1 N·m (45 in·lb).



TEST DE PASSAGE DU PNEU

⚠ AVERTISSEMENT

Si un garde-boue ou un Mud Guard doit être utilisé, il doit être installé au moment d'effectuer le test de passage du pneu.

1. Évacuez toute la pression pneumatique contenue dans la fourche en appuyant sur la valve Schrader.

⚠ AVERTISSEMENT

Les fourches FOX peuvent contenir des pressions pneumatiques élevées. Évacuez TOUTE la pression pneumatique de la chambre pneumatique principale avant le démontage. Le non-respect de ces instructions peut provoquer l'éjection de pièces ou de liquide hors de la fourche, ce qui peut entraîner des BLESSURES GRAVES, VOIRE MORTELLES.

2. Comprimez la fourche entièrement.
3. Mesurez la distance entre les bords du pneu gonflé et le garde-boue/Mud Guard, le té, l'arceau de la fourche et le tube pivot. Il doit y avoir un espace d'AU MOINS 8,5 mm tout autour du pneu.

⚠ AVERTISSEMENT

S'il n'y a pas au moins 8,5 mm d'espace entre les bords du pneu gonflé et le garde-boue/Mud Guard, le té, l'arceau de la fourche et le tube pivot, il se peut que le pneu vienne toucher le té lorsque la fourche est totalement comprimée ce qui peut provoquer des BLESSURES GRAVES VOIRE MORTELLES.

4. Augmentez la pression pneumatique jusqu'à atteindre le réglage désiré à l'aide d'une pompe haute pression FOX. Réglez l'affaissement en respectant les instructions indiquées en ligne sur www.ridefox.com.
5. Vous devez recommencer ce test à CHAQUE fois que vous changez de pneu ou de jante.

⚠ AVERTISSEMENT

Ne dépassez jamais la pression pneumatique maximale :

La pression pneumatique maximale des fourches 32 FLOAT, AX et Rhythm est de 140 psi

La pression pneumatique maximale des fourches 34 FLOAT, AWL et Rhythm est de 120 psi.

La pression pneumatique maximale de la 36 FLOAT est de 120 psi.

La pression pneumatique maximale de la 38 FLOAT est de 140 psi.

La pression pneumatique maximale de la 40 FLOAT est de 120 psi.

La pression pneumatique minimale est la suivante :

La pression de 40 psi correspond à toutes les fourches FLOAT et Rhythm.

Pression mesurée à une température ambiante comprise entre 21 et 24° C.

La température de fonctionnement normal pour les produits FOX est comprise entre -7 et 60° C.



ENTRETOISES POUR LE VOLUME DU RESSORT PNEUMATIQUE (FOURCHES FLOAT ET RHYTHM UNIQUEMENT)

Changer les entretoises de volume sur les fourches FOX FLOAT et Rhythm constitue une manipulation interne facile à réaliser qui vous permet de modifier le niveau de résistance aux chocs moyens et au talonnage. Si vous avez réglé l'affaissement correctement mais que vous utilisez trop facilement tout le débattement disponible (talonnage), alors vous pouvez installer une ou plusieurs entretoises pour augmenter la résistance au talonnage. Et si vous ne parvenez pas à utiliser tout le débattement disponible, vous pouvez retirer une ou plusieurs entretoises pour diminuer la résistance au talonnage.

Remarque : certaines fourches FLOAT 32 sont montées en atelier avec une entretoise de volume creuse. Il est possible d'ajouter des entretoises de volume standard de 32 mm de couleur bleue à cette entretoise creuse afin de réduire encore davantage le volume pneumatique si nécessaire.

1. Retirez le capuchon pneumatique.
2. Évacuez toute la pression pneumatique de la fourche en appuyant sur la valve Schrader.

⚠ AVERTISSEMENT

Les fourches FOX peuvent contenir des pressions pneumatiques élevées. Évacuez TOUTE la pression pneumatique de la chambre pneumatique principale avant le démontage. Le non-respect de ces instructions peut provoquer l'éjection de pièces ou de liquide hors de la fourche, ce qui peut entraîner des BLESSURES GRAVES, VOIRE MORTELLES.

3. **Pour les fourches 40 uniquement :** à l'aide d'une clé hexagonale de 5 mm, desserrez le boulon de maintien du haut du té situé du côté de la cartouche pneumatique.
4. À l'aide d'une douille à 6 pans sans chanfrein de 26 mm, dévissez avec précaution le capuchon supérieur de la fourche (pour les fourches 36, 38 et 40, utilisez une douille à 6 pans sans chanfrein de 32 mm et, pour les fourches AX, utilisez un outil pour cassette Park Tool FR-5 ou FR-5.2).
5. Tirez sur l'unité du capuchon supérieur afin de la retirer du té de la fourche.
6. Faites coulisser la ou les entretoises de volume pneumatique horizontalement afin de les installer ou de les retirer du capuchon supérieur.

⚠ AVERTISSEMENT

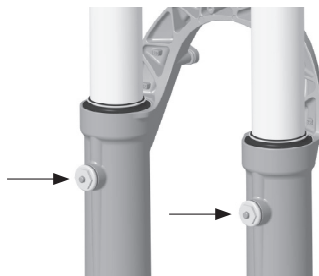
Ne dépassez pas le nombre maximal d'entretoises de volume recommandé pour votre fourche. Cela pourrait endommager votre fourche. Vous trouverez des informations concernant les entretoises de volume sur le site www.ridefox.com.

7. Remettez en place l'unité du capuchon supérieur dans le té de la fourche et, à l'aide d'une douille à 6 pans sans chanfrein de 26 mm, serrez-la à un couple de 24,8 N-m (220 po-lb) (pour les fourches 36, 38 et 40, utilisez une douille à 6 pans sans chanfrein de 32 mm et, pour les fourches AX, utilisez un outil pour cassette Park Tool FR-5 ou FR-5.2). **Pour les fourches 40 uniquement :** à l'aide d'une clé hexagonale de 5 mm, serrez le boulon de maintien du haut du té situé du côté de la cartouche pneumatique à un couple de 7,3 N m (65 po-lb).
8. Augmentez la pression pneumatique jusqu'à atteindre le réglage désiré à l'aide d'une pompe haute pression FOX. Réglez l'affaissement en respectant les instructions indiquées en ligne sur www.ridefox.com.

BOUTON DE DÉPRESSION PNEUMATIQUE/PURGEURS DES FOURREAUX INFÉRIEURS (FOURCHES 36, 38 ET 40)

Le bouton de dépression pneumatique situé à l'arrière de chaque fourreau de la fourche permet l'évacuation de la pression pneumatique emmagasinée, pour un fonctionnement optimal. Lorsque la fourche est en position verticale, appuyez sur chaque bouton pendant 5 à 10 secondes.

IMPORTANT : il se peut que vous notiez une fuite d'huile au niveau des purgeurs pendant cette opération, ceci est normal.



INSTALLATION DE LA COMMANDE À DISTANCE

La commande à distance peut être indifféremment installée sous le cintre du côté opposé à la chaîne (là où on trouve ordinairement la commande du dérailleur avant) ou au-dessus du cintre du côté de la chaîne. La commande à distance peut être utilisée avec deux câbles afin de commander la fourche et l'amortisseur en même temps.

AMORTISSEURS FIT4 (« APPUYER POUR VERROUILLER » ET « APPUYER POUR DÉVERROUILLER »)

1. Installez le levier de la commande à distance sur le cintre. Ne dépassez pas un couple de 1,7 N-m (15 lb-po). Un couple de serrage inférieur peut être requis pour les cintres en carbone. Reportez-vous aux instructions du fabricant du cintre en cas d'utilisation d'un cintre en carbone. Vérifiez l'espace disponible entre le levier de la commande à distance et les commandes des freins et de dérailleur.
2. **Pour les fourches « appuyer pour verrouiller » uniquement :** guidez la gaine du câble en partant du levier de la commande à distance, en la faisant passer autour de l'arrière du té et jusqu'à l'arrêt du câble situé sur le capuchon supérieur de la fourche ; coupez ensuite à la longueur désirée. Mettez en place une virole sur l'extrémité de la gaine au niveau de la commande à distance.
Pour les fourches « appuyer pour déverrouiller » uniquement : guidez la gaine du câble en partant du levier de la commande à distance, en la faisant passer par le devant du té et jusqu'à l'arrêt du câble situé sur le capuchon supérieur de la fourche ; coupez ensuite à la longueur désirée. Mettez en place une virole sur les deux extrémités de la gaine du câble.
3. Réglez le levier de la commande à distance sur le mode OUVERT en poussant le levier de déverrouillage. Vérifiez que l'extrémité du câble est parfaitement en place dans le levier de la commande à distance.
4. Installez un petit bout de gaine équipée d'une virole entre le barillet de réglage situé sur le câble et le corps du levier de la commande à distance.
5. Une fois que la gaine du câble est bien en place sur toute sa longueur et qu'il n'y a pas de mou, lubrifiez légèrement le câble interne et enfillez-le à travers la gaine du câble avant de l'enrouler autour de la bobine de la commande sur la fourche.
6. Tout en maintenant le câble tendu, serrez le boulon de serrage, coupez le surplus de câble et écrasez son extrémité à la pince.

AMORTISSEURS GRIP PUSH-TO-LOCK (« APPUYER POUR VERROUILLER »)

1. Mettez en place le levier de la commande à distance sur le cintre. Ne dépassez pas un couple de 1,7 N-m (15 in-lb). Un couple de serrage inférieur peut être nécessaire pour les cintres en carbone. Reportez-vous aux instructions du fabricant du cintre pour savoir comment procéder avec un cintre en carbone. Vérifiez l'espace disponible entre le levier de la commande à distance et les commandes de dérailleur ou de frein.
2. Guidez la gaine du câble en partant du capuchon supérieur de la fourche pour la faire passer autour de l'arrière du té jusqu'au levier de la commande à distance ; coupez ensuite à la longueur désirée. Mettez en place une virole à l'extrémité de la gaine au niveau du levier de la commande à distance et du capuchon supérieur de la fourche.
3. Installez un petit bout de gaine équipée d'une virole entre le barillet de réglage situé sur le câble et le corps du levier de la commande à distance.
4. Poussez le plus grand levier de la commande à distance de sorte qu'il soit en position activée : c'est le mode FIRM. Vérifiez que l'extrémité du câble est bien en place dans le levier de la commande à distance.
5. À l'aide d'une clé hexagonale de 5 mm, tournez la bobine de la commande à distance dans le sens des aiguilles d'une montre à un couple de 0,56 N-m (5 in-lb) environ. Tout en maintenant la clé hexagonale de 5 mm et la bobine dans cette position, appuyez sur la fourche pour voir si la force exercée vous convient. Tournez la bobine dans le sens des aiguilles d'une montre pour augmenter la force exercée en mode FIRM et dans le sens inverse des aiguilles d'une montre pour la diminuer, jusqu'à obtenir la configuration désirée. Notez la position de la vis de réglage de la bobine correspondant à la configuration choisie.

6. Une fois que la gaine du câble est bien en place sur toute sa longueur et qu'il n'y a pas de mou, lubrifiez légèrement le câble interne et enfillez-le à travers la gaine du câble avant de l'enrouler autour de la poulie de la commande à distance fixée sur la fourche. En maintenant la bobine de la commande à distance dans la position correspondant à la force que vous souhaitez en mode FIRM (à partir de l'Étape 5) à l'aide d'une clé hexagonale de 5 mm, serrez le boulon de maintien à un couple de 1,13 N-m (10 in-lb).
7. Retirez la clé hexagonale de 5 mm positionnée sur la bobine de la commande à distance. Testez l'activation à distance pour vous assurer qu'elle fonctionne correctement. Puis, coupez le surplus de câble interne et écrasez l'extrémité du câble à la pince.
8. Vous pouvez utiliser le barillet de réglage situé sur le câble afin de modifier la force nécessaire au déverrouillage de sécurité. Le fait de tourner le barillet de réglage dans le sens des aiguilles d'une montre augmente la force nécessaire au déverrouillage de sécurité. Le fait de le tourner dans l'autre sens la diminue.

AMORTISSEURS GRIP PUSH-TO-UNLOCK (« APPUYER POUR DÉVERROUILLER »)

1. Mettez en place le levier de la commande à distance sur le cintre. Ne dépassez pas un couple de 1,7 N-m (15 in-lb). Un couple de serrage inférieur peut être nécessaire pour les cintres en carbone. Reportez-vous aux instructions du fabricant du cintre pour savoir comment procéder avec un cintre en carbone. Vérifiez l'espace disponible entre le levier de la commande à distance et les commandes de dérailleur ou de frein.
2. Guidez la gaine du câble en partant du capuchon supérieur de la fourche pour la faire passer autour de l'arrière du té jusqu'au levier de la commande à distance ; coupez ensuite à la longueur désirée. Mettez en place une virole à l'extrémité de la gaine au niveau du levier de la commande à distance et du capuchon supérieur de la fourche.
3. Installez un petit bout de gaine équipée d'une virole entre le barillet de réglage situé sur le câble et le corps du levier de la commande à distance.
4. Laissez le levier de la commande en position non-activée : c'est le mode FIRM. Vérifiez que l'extrémité du câble est bien en place dans le levier de la commande à distance.
5. Notez que l'amortisseur Push-to-Unlock est par défaut en mode FIRM. Appuyez sur la fourche pour voir si la force exercée en mode FIRM vous convient. Si c'est le cas, passez à l'Étape 6. Dans le cas contraire, utilisez une clé hexagonale de 5 mm sur la bobine pour en ajuster légèrement la position (dans le sens des aiguilles d'une montre pour augmenter la force exercée en mode FIRM et dans le sens inverse des aiguilles d'une montre pour la diminuer) jusqu'à obtenir la configuration désirée.
6. Une fois que la gaine du câble est bien en place sur toute sa longueur et qu'il n'y a pas de mou, lubrifiez légèrement le câble interne et enfillez-le à travers la gaine du câble avant de l'enrouler autour de la poulie de la commande à distance fixée sur la fourche. Si nécessaire (à partir de l'Étape 5), en maintenant la bobine de la commande à distance dans la position correspondant à la force que vous souhaitez en mode FIRM à l'aide d'une clé hexagonale de 5 mm, serrez le boulon de maintien à un couple de 1,13 N-m (10 in-lb).
7. Retirez la clé hexagonale de 5 mm positionnée sur la bobine de la commande à distance. Testez l'activation à distance pour vous assurer qu'elle fonctionne correctement. Coupez le surplus de câble interne et écrasez l'extrémité du câble à la pince.
8. Vous pouvez utiliser le barillet de réglage situé sur le câble afin de modifier la force nécessaire au déverrouillage de sécurité. Le fait de tourner le barillet de réglage dans le sens des aiguilles d'une montre diminue la force nécessaire au déverrouillage de sécurité. Le fait de le tourner dans l'autre sens l'augmente.

ENTRETIEN

Le fait de nettoyer convenablement votre composant FOX entre chaque sortie ainsi que de procéder à des entretiens réguliers, vous aidera à réduire les coûts de réparation et à allonger la durée de vie du produit.

Pour plus d'informations sur les procédures d'entretien, consultez le site www.ridefox.com/OwnersManuals, ou contactez FOX pour un service complet d'entretien (**1.800.369.7469** ou mtbservice@ridefox.com).

Éléments d'entretien minimal recommandés	Avant chaque sortie	Après chaque sortie	Régulièrement	Toutes les 125 heures ou une fois par an, au premier des termes échus*
Vérifiez l'extérieur de votre fourche/amortisseur. N'utilisez pas la fourche/l'amortisseur si une pièce extérieure semble endommagée. Contactez FOX ou votre revendeur habituel pour obtenir une réparation.	X			
Vérifiez que les leviers de blocage rapide et les axes sont correctement réglés et serrés.	X			
Vérifiez le réglage de votre jeu de direction. S'il y a du jeu, resserrez-le conformément aux instructions du fabricant de votre vélo.	X			
Vérifiez que tous les câbles et durites de frein sont correctement attachés. Vérifiez le bon fonctionnement de vos freins avant et arrière sur terrain plat.	X			
Nettoyez l'extérieur avec du savon doux et de l'eau uniquement puis essuyez-le avec un chiffon doux. N'utilisez jamais de nettoyeur haute pression et ne vaporisez jamais d'eau directement sur la jonction joint/corps de l'amortisseur.		X		
Vérifiez les réglages de l'affaissement et de l'amortissement. Vérifiez que les commandes ne présentent pas de dommages apparents et qu'elles fonctionnent bien.			X	
Entretien complet (inspections interne et externe complètes, remontage de l'amortisseur, remplacement des joints d'étanchéité pour les amortisseurs pneumatiques, remontage du ressort pneumatique, remplacement du bain d'huile et du joint anti-poussière).				X

*Pour les cyclistes qui pratiquent des descentes accessibles par remontées mécaniques, dans des parks ou le freeride extrême ou qui roulent sur des terrains extrêmement humides et boueux ou secs et poussiéreux où des débris peuvent souiller la fourche, FOX les invite à réaliser les entretiens de manière plus fréquente que ce qui est recommandé ci-dessus, en fonction des besoins. Si vous entendez, voyez ou sentez quelque chose d'anormal, cessez immédiatement d'utiliser votre vélo et contactez un centre d'entretien agréé FOX pour faire réaliser un entretien approprié.

CONSULTEZ DES INFORMATIONS ET DES VIDÉOS SUPPLÉMENTAIRES :

ridefox.com

FOX Factory, Inc., une société incorporée en Californie, U.S.A., dont les bureaux se trouvent à l'adresse suivante : 915 Disc Dr, Scotts Valley, CA 95066, U.S.A. (« Fox »), offre la GARANTIE LIMITÉE suivante en ce qui concerne ses éléments de suspension :

GARANTIE LIMITÉE FOX

GARANTIE LIMITÉE DE UN (1) AN POUR LES ÉLÉMENTS DE SUSPENSION

Dans le respect des limites et conditions générales de vente notées ci-dessous, Fox garantit à l'acheteur d'origine dans le commerce de détail (client) d'un élément de suspension Fox neuf que cet élément de suspension Fox, quand il est neuf, est exempt de défauts de matériau ou de vices de fabrication. Cette garantie arrive à expiration un (1) an après la date originelle d'achat dans le commerce de détail de l'élément de suspension Fox originel auprès d'un revendeur Fox agréé, ou d'un fabricant d'équipement agréé par Fox quand la suspension Fox est incluse en tant qu'équipement d'origine avec un véhicule acheté.

CONDITIONS DE LA GARANTIE

Cette garantie n'est valide que si l'élément de suspension Fox est utilisé dans des conditions normales et est entretenu conformément aux recommandations de Fox. Cette garantie est uniquement applicable aux suspensions Fox achetées neuves auprès d'une source autorisée Fox et est offerte uniquement au propriétaire d'origine de l'élément de suspension Fox neuf acheté dans le commerce de détail (client). Elle n'est pas transférable à des acheteurs ultérieurs.

S'il est déterminé par Fox, à son seul gré et sur sa décision définitive, qu'un composant de suspension Fox est couvert par cette garantie limitée, il sera réparé ou remplacé par un modèle comparable, choisi unilatéralement par Fox, dont la décision sera péremptoire et exécutoire. CECI FORME LE RECOURS EXCLUSIF AUX CONDITIONS DE CETTE GARANTIE LIMITÉE. TOUT AUTRE RECOURS OU DOMMAGE QUI POURRAIT ÊTRE APPLICABLE AUTREMENT DANS LE CADRE DE CETTE GARANTIE LIMITÉE EST EXCLU, Y COMPRIS, SANS Y ÊTRE LIMITÉ, LES DOMMAGES ACCESSOIRES OU INDIRECTS, OU LES DOMMAGES ET INTÉRÊTS EXEMPLAIRES.

Cette garantie limitée ne s'applique pas à l'usure normale, aux malformations ou aux défaillances consécutives à un usage inapproprié, un manque d'entretien, un montage incorrect, des modifications ou des altérations, des réparations ou des entretiens inappropriés ou interdits, des collisions, des accidents, des chutes ou toute autre utilisation anormale, excessive ou inappropriée.

La présente garantie limitée confère au client des droits juridiques spécifiques. Le client peut aussi bénéficier d'autres droits juridiques du fait de l'application de lois nationales qui ne sont pas concernées par cette garantie limitée. Si un tribunal compétent détermine qu'une disposition spécifique de cette garantie limitée ne s'applique pas, cette détermination ne portera pas effet sur les autres dispositions de cette garantie limitée et toutes les autres dispositions restent effectives.

CETTE GARANTIE EST LA SEULE GARANTIE OFFERTE PAR FOX POUR SES ÉLÉMENTS DE SUSPENSION ET LEURS COMPOSANTS, ET IL N'Y A AUCUNE AUTRE GARANTIE EN DEHORS DE CELLE DÉCRITE DANS CE DOCUMENT. TOUTE AUTRE GARANTIE QUI POURRAIT ÊTRE IMPLICITE SELON LA LÉGISLATION EN COURS, Y COMPRIS, SANS Y ÊTRE LIMITÉE, TOUTE GARANTIE IMPLICITE DE QUALITÉ MARCHANDE OU D'APTITUDE À UN USAGE SPÉCIFIQUE, EST EXCLUE.

Cette garantie limitée doit être soumise uniquement aux lois de l'État de Californie.

En cas de réclamation dans le cadre de cette garantie limitée, il vous faudra fournir à un Centre d'entretien FOX agréé :

1. le Produit (ou la pièce concernée) et
2. une copie de la preuve d'achat originale indiquant clairement le nom et l'adresse du vendeur, la date et le lieu d'achat, le numéro de référence du produit et, le cas échéant, un numéro de série. Si les produits FOX ont été vendus en tant qu'équipements d'un vélo complet, la marque du vélo, le modèle, l'année modèle et le numéro de série doivent être indiqués.

CONGRATULAZIONI!

Grazie per aver scelto un prodotto per sospensioni FOX per la vostra bicicletta. Tutti i prodotti per sospensioni FOX sono progettati e testati dai migliori professionisti del settore a Santa Cruz County, California, USA.

Seguire le indicazioni e le istruzioni fornite in questa Guida per l'utente, in modo da essere in grado di eseguire correttamente l'impostazione, l'utilizzo e la manutenzione del nuovo prodotto FOX.

Per informazioni aggiuntive e video, consultare l'indirizzo <http://www.ridefox.com/OwnersManuals>, chiamare FOX US al numero 1.800.369.7469, inviare un'email a mtbservice@ridefox.com, oppure contattare un centro assistenza internazionale autorizzato FOX all'indirizzo <http://www.ridefox.com/GlobalDistributors>. Se non è disponibile una connessione internet, contattare FOX per ordinare una copia cartacea gratuita del manuale utente online FOX relativo al prodotto.

▲ INFORMAZIONI DI AVVERTENZA E SICUREZZA

I prodotti FOX devono essere installati da un tecnico di assistenza biciclette professionista, secondo le specifiche d'installazione indicate da FOX. Forcelle installate in modo improprio possono cedere, causando la perdita di controllo della bicicletta, con conseguenti LESIONI GRAVI O MORTALI.

Le modifiche o le alterazioni dei prodotti FOX possono causarne il malfunzionamento e comportare LESIONI GRAVI O MORTALI. Non modificare mai ALCUNA parte di un prodotto FOX (inclusi molle elicoidali, archetto d'irrigidimento braccio inferiore, corona, sterzo, tubi superiori, braccio inferiore, manico dell'aria, reggisella, distanziali volume, materiali interni, spessori a fessura del mozzo, adattatori del mozzo, ecc.).

I prodotti di sospensione per biciclette FOX possono essere utilizzati anche su biciclette elettriche di Classe 1 (designazione USA) e L1e-A (designazione UE).

I prodotti per sospensioni FOX E-BIKE+ possono essere utilizzati su biciclette elettriche di Classe 3 (designazione USA) e L1e-B (designazione UE).

NON utilizzare forcelle FOX 32 AX, 32 mm FLOAT, 32 mm Step-Cast o 34 mm Step-Cast su bici motorizzate a pedalata assistita o veicoli motorizzati che superano una velocità massima assistita di 32 km/h (20 mph) o un peso massimo del sistema di 121 kg (266 lb).

NON utilizzare alcun prodotto di sospensione FOX per biciclette su bici motorizzate a pedalata assistita o veicoli a motore che superano una velocità massima assistita di 32 km/h (20 mph) o un peso massimo del sistema di 140 kg (308 lb).

NON utilizzare i prodotti di sospensione FOX E-BIKE+ per bici a pedalata assistita o veicoli motorizzati che superano una velocità massima assistita di 45 km/h (28 mph) o un peso massimo del sistema di 169 kg (372 lb). NON utilizzare i prodotti per sospensioni per biciclette FOX su alcun veicolo motorizzato dotato di acceleratore.

L'uso improprio di prodotti per sospensioni FOX può causare il cedimento delle sospensioni, il che potrebbe comportare danni alle cose, LESIONI GRAVI O MORTALI e annullamento della garanzia.

NON utilizzare prodotti per sospensioni FOX per biciclette su alcun veicolo che trasporti più di un operatore o biker, ad esempio una bicicletta tandem o una bicicletta pesante.

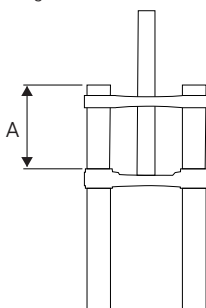
Non rimuovere né sostituire il canotto di sterzo. Ciò potrebbe causare la perdita di controllo della bicicletta e LESIONI GRAVI O MORTALI.

Non cercare mai di rimuovere o sostituire il canotto o i tubi superiori indipendentemente dalla testa. La modifica della testa integrata, dello sterzo o dei tubi superiori può causare un cedimento del gruppo, con conseguente perdita di controllo della bicicletta e LESIONI GRAVI O MORTALI.

Non tagliare il canotto di sterzo più di tre (3) mm sotto la parte installata più alta. Se la lunghezza del canotto di sterzo è tagliata per errore in modo da renderlo troppo corto, È NECESSARIO SOSTITUIRE il gruppo corona/canotto di sterzo/tubo superiore. L'utilizzo di una forcella con un inserimento dello sterzo bloccato troppo corto può comportare l'improvviso

cedimento della forcella, che può causare la perdita di controllo della bicicletta e conseguenti LESIONI GRAVI O MORTALI.

La posizione del tubo superiore da 68,84 cm (27,5 poll.) 73,66 cm (29 poll.) FOX 40 è impostata in fabbrica per rimuovere in sicurezza uno pneumatico sgonfio da 6,3 cm (2,50 poll.) La posizione standard dalla "sommità della corona" alla "sommità del tubo superiore" oltre 137,5 mm (A). Non aumentare mai la posizione dalla "sommità della corona" alla "sommità del tubo superiore" oltre 137,00 mm. Qualsiasi posizione del tubo superiore maggiore di 137,00 mm riduce lo spazio dallo pneumatico alla corona e causa la perdita del controllo da parte del biker, con conseguente rischio di LESIONI GRAVI O MORTALI.



Non ridurre mai la posizione dalla "sommità della corona" alla "sommità del tubo superiore" oltre 127 mm (A). Qualsiasi posizione del tubo superiore inferiore a 127 mm potrebbe causarne il malfunzionamento e comportare LESIONI GRAVI O MORTALI.

Non installare mai il parafrangimento FOX 40 senza aver prima regolato la posizione dalla "sommità della corona" alla "sommità del tubo superiore" a 132 mm (A). La posizione della forcella FOX 40 con il parafrangimento FOX 40 dalla "sommità della corona" fino alla "sommità del tubo superiore" DEVE ESSERE ESATTAMENTE 132 mm o potrebbe comportare il rischio di LESIONI GRAVI O MORTALI.

Se il canotto di sterzo presenta intaccature o sgorbiature che possono essere avvertite con le unghie, il gruppo testa/canotto di sterzo deve essere sostituito. Intaccature o sgorbiature possono causare il cedimento del canotto di sterzo, con conseguente perdita di controllo della bicicletta e LESIONI GRAVI O MORTALI.

Non tentare mai di tagliare i filetti nei canotti senza filetto di forcelle FOX. Il taglio di filetti in uno sterzo senza filetto può causare il cedimento del canotto di sterzo, con conseguente perdita di controllo della bicicletta e LESIONI GRAVI O MORTALI.

Non utilizzare mai più di 30 mm di altezza di distanziali sotto l'attacco manubrio, in quanto questa condizione può causare il cedimento del canotto di sterzo, causando una perdita di controllo con conseguenti LESIONI GRAVI O MORTALI.

Non consentire mai il contatto di elementi quali il cavo o la

guaina del cavo con il cannotto di sterzo di una forcella. Se la propria bicicletta è dotata di instradamento interno del cavo e della guaina, consultare la Guida per l'utente del costruttore della bicicletta per istruzioni sulla sicurezza. Il contatto del cavo e/o della guaina del cavo con un cannotto di sterzo può causare il cedimento di quest'ultimo, con conseguente perdita di controllo della bicicletta e LESIONI GRAVI O MORTALI.

Nel tempo una guaina del cavo a contatto con la testa della forcella causa danni da abrasione alla testa. Se il contatto è inevitabile, utilizzare un nastro in vinile o una protezione simile per coprire il punto di contatto. La garanzia FOX non copre i danni da abrasione alla testa della forcella FOX.

La manutenzione non corretta o l'uso di parti di ricambio non originali con forcelle e ammortizzatori FOX possono causare il malfunzionamento del prodotto, provocando LESIONI GRAVI O MORTALI.

Poiché tra le aperture dell'asse della forcella possono accumularsi sporcizia e detriti, controllare e pulire sempre queste aree prima di installare la ruota. Un'installazione impropria del mozzo e dell'asse può comportare LESIONI GRAVI O MORTALI.

Non usare mai un'indropulitrice per la pulizia del prodotto FOX.

Se la forcella perde olio, rimane rigida o affonda eccessivamente oppure produce rumori anomali, non utilizzarla e contattare immediatamente FOX o un centro autorizzato di assistenza FOX per richiedere un'ispezione o una riparazione.

Le forcelle 32 AX richiedono una distanza di almeno 8,5 mm tra i bordi dello pneumatico gonfiato e del parafrangente o della corona e il cannotto al fondocorsa. Per forcelle 32 AX, non utilizzare mai uno pneumatico di dimensioni superiori a 700 cm x 50 mm. Un parafrangente potrebbe essere utilizzato con pneumatici di dimensioni fino a 700 cm x 45 mm. NON utilizzare mai uno pneumatico di dimensioni superiori a 700 cm x 45 mm con un

parafrangente; non lascerebbe distanza sufficiente. Se non si lascia una distanza sufficiente, lo pneumatico potrebbe incastrarsi sulla corona o sul parafrangente quando la forcella si comprime completamente con conseguenti LESIONI GRAVI O MORTE.

I fari montate sulle forcelle AWL devono liberare tutti i componenti del parafrangente e le parti mobili con una distanza di almeno 8,5 mm. Se non si lascia uno spazio minimo di 8,5 mm tra il supporto del faro e un mud guard o altre parti mobili, lo pneumatico potrebbe bloccarsi quando la forcella è completamente compressa, con il rischio di LESIONI GRAVI O MORTE.

Seguire le istruzioni del produttore dei freni per una corretta installazione e regolazione del sistema frenante. L'installazione o la regolazione non corretta dei freni può causare una perdita di controllo della bicicletta che può causare LESIONI GRAVI O MORTALI.

La forcella o l'ammortizzatore potrebbero cedere in condizioni che causano la flessione e/o la rottura di una parte della forcella o dell'ammortizzatore. Anche qualsiasi condizione che provochi perdita di aria e/o olio, ad esempio una collisione o periodi di non utilizzo, può causare il cedimento della forcella o dell'ammortizzatore. Una forcella o un ammortizzatore danneggiati e/o che hanno perdite potrebbero cedere provocando un incidente con conseguenti LESIONI GRAVI O MORTALI. Se si sospetta che la forcella o l'ammortizzatore siano stati danneggiati, interrompere immediatamente la guida e contattare FOX per l'ispezione e la riparazione.

Un portabici montato sulla forcella può causare danni ai bracci della forcella e/o ai forcellini, soprattutto nei casi in cui la forcella è carica da un lato e/o quando la ruota posteriore non è fissata nel portabici. Bracci della forcella e/o forcellini danneggiati potrebbero cedere provocando un incidente con conseguenti LESIONI GRAVI O MORTALI. Se si sospetta che la forcella sia danneggiata, rivolgersi a FOX per l'ispezione e la riparazione.

INSTALLAZIONE DELLA FORCELLA

1. Rimuovere la forcella esistente dalla bicicletta. Rimuovere il cono inferiore dalla precedente forcella. Misurare la lunghezza del cannotto di sterzo della vecchia forcella e trasferire questa misura al cannotto della nuova forcella FOX.

Se non vi è una forcella esistente da misurare, misurare l'altezza di impilamento della serie sterzo (parti della serie sterzo e del tubo sterzo) e consultare le istruzioni del costruttore dell'attacco manubrio per accertarsi che vi sia una superficie di bloccaggio sufficiente per l'attacco stesso.

2. Tagliare il cannotto di sterzo alla lunghezza appropriata.

Per l'attacco a montaggio sul cannotto di sterzo forcelle singole per il gruppo cannotto della corona (32, 34, 36 e 38 mm) e per forcella doppia del gruppo cannotto forcella-corona (40 mm): Contrassegnare il cannotto dello sterzo e tagliarlo alla lunghezza appropriata.

Per l'attacco a montaggio diretto per forcella doppia del gruppo cannotto forcella-testa (40 mm):

Marcare il cannotto di sterzo sulla sommità della testa superiore. Rimuovere la forcella e tagliare 3 mm sotto il segno. Questi 3 mm consentono di avere spazio per il cappuccio dell'attacco manubrio, così da precaricare leggermente la serie sterzo e quindi rimuovere l'eventuale gioco libero.

AVVERTENZA

Prima di qualsiasi taglio, consultare le istruzioni del produttore della serie sterzo e dell'attacco per accertarsi di avere una lunghezza sufficiente di cannotto di sterzo per bloccare lo sterzo e l'attacco manubrio. Un'installazione scorretta può comportare la separazione dell'attacco dallo sterzo con conseguente perdita di controllo della bicicletta e conseguenti LESIONI GRAVI O MORTALI.

3. Installare la serie sterzo. Utilizzare sempre una nuova serie sterzo senza filetto e seguire le istruzioni di installazione del produttore della serie sterzo.
4. Utilizzare un cono inferiore da 39,8 mm per cannotti di sterzo da 1 1/2 poll. e un cono inferiore da 29,9 mm per cannotti di sterzo da 1 1/8 poll. Utilizzare una apposita stradatrice per installare il cono inferiore saldamente contro la sommità della testa.
5. Installare il dado dentato a stella nel cannotto di sterzo con l'apposito strumento fino alla profondità di 4-10 mm al di sotto della sommità del cannotto di sterzo.

6. Installazione della forcella sulla bicicletta.

Per forcelle FOX con gruppo canotto forcella-testa singolo e doppio: Installare le parti che sostengono la serie sterzo e l'attacco in conformità alle istruzioni del produttore della serie sterzo e regolare il precarico della serie sterzo di conseguenza fino a quando non si avverta alcun gioco eccessivo o trascinamento del sostegno. Serrare i bulloni di fissaggio dell'attacco secondo le specifiche di coppia del produttore dell'attacco.

Per forcelle FOX con gruppo canotto forcella-testa doppio: Installare gli ammortizzatori di sterzo sui tubi superiori. Utilizzare una chiave dinamometrica per serrare tutti i bulloni del mozzo della testa superiore e inferiore a 7,3 N-m (65 poll.-lb).

Nota: Il FOX 40 può essere impostato con un attacco manubrio a montaggio diretto o montato sul canotto di sterzo. La coppia attacco manubrio a montaggio diretto-cono non deve superare 12,4 N-m (110 poll.-lb).

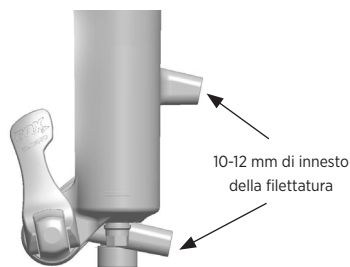
⚠ AVVERTENZA

La forcella 32 AX deve essere installata sulla bicicletta con l'archetto d'irrigidimento del braccio inferiore orientato verso la parte posteriore della bici. Tutte le altre forcelle FOX devono essere installate sulla bici con l'archetto d'irrigidimento del braccio inferiore orientato verso la parte anteriore della bici. Forcelle installate in modo improprio possono cedere, causando la perdita di controllo della bici, con conseguenti LESIONI GRAVI O MORTALI.

7. Installare i freni secondo le istruzioni del produttore dei freni. Le dimensioni massime del rotore per le forcelle 32 Step Cast da 27,5 pollici., 34 Step Cast e AX sono di 180 mm. Tutte le altre forcelle FOX da 32 e 34 possono utilizzare un rotore fino a 203 mm (incluse le forcelle 32 Step Cast da 29 pollici). Tutte le forcelle FOX AWL, 36, 38 e 40 possono utilizzare un rotore fino a 230 mm.

⚠ AVVERTENZA

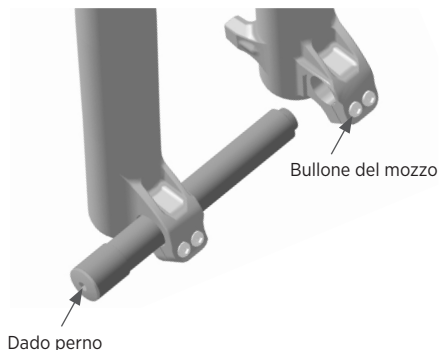
I bulloni di montaggio della pinza del freno a disco devono avere 10-12 mm di innesto della filettatura con la forcella. Utilizzare una chiave dinamometrica per stringere le viti di fissaggio della pinza alle specifiche del costruttore del freno a disco, ma non superare i 10,2 Nm (90 poll.-lb). Un'errata installazione può comportare il cedimento dei freni, con conseguente perdita di controllo della bicicletta e LESIONI GRAVI O MORTALI.



8. Instradare l'alloggiamento del cavo o il tubo del freno a disco anteriore nell'interno del fodero e attraverso la guida fornita dell'alloggiamento del freno a disco. Utilizzare una chiave dinamometrica per serrare le viti della guida del tubo del freno a disco ad una coppia di 0,9 N-m (8 poll.-lb).

MONTAGGIO ASSE BOOST 20X110 (FORCELLA 40)

1. Installare la ruota anteriore nei forcellini e far scivolare l'asse attraverso i forcellini e il mozzo.
2. Con una chiave esagonale da 5 mm, serrare il dado perno a una coppia di 2,2 N-m (19 poll.-lb).
3. Serrare i due bulloni del mozzo sul forcellino alla sinistra del biker a una coppia di 2,2 N-m (19 poll.-lb).
4. Comprimerne la forcella per un paio di volte per essere certi che il fodero sia inserito nel suo punto di attrito minimo.
5. Serrare i due bulloni del mozzo sul forcellino alla destra del biker a una coppia di 2,2 N-m (19 poll.-lb).



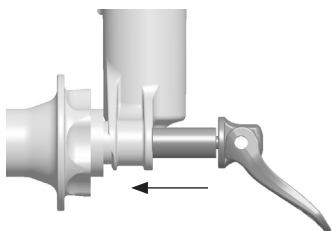
INSTALLAZIONE SGANCIO RAPIDO DA 15 MM (FORCELLE 32, 34, AWL E 36 RHYTHM)

L'installazione della ruota non varia per i mozzi a sgancio rapido da 15x100 mm e 15x110 mm.

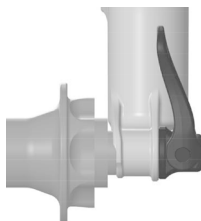
1. Installare la ruota anteriore nei forcellini. Far scivolare l'asse attraverso i forcellini a sinistra del biker e il mozzo.
2. Aprire la leva dello sgancio.
3. Ruotare lo sgancio in senso orario di 5-6 giri completi nel dado del mozzo.
4. Chiudere la leva. La leva deve avere abbastanza tensione da lasciare un'impronta sulla mano.
5. La posizione di chiusura della leva deve essere compresa tra 1 e 20 mm davanti al braccio della forcella.
6. Se la leva non ha abbastanza tensione, o ha troppa tensione quando è chiusa nella posizione raccomandata (1-20 mm davanti alla forcella), vedere la sezione successiva per le istruzioni di regolazione.

⚠ AVVERTENZA

Usare solo la pressione della mano. Non utilizzare alcuno strumento per serrare la leva a sgancio rapido. Un serraggio eccessivo delle leve può danneggiare il mozzo o i forcellini della forcella, comportando un improvviso cedimento di uno o più di questi componenti, con conseguenti LESIONI GRAVI O MORTALI. La mancata corretta installazione del mozzo potrebbe causare il distacco della ruota dalla bicicletta, con conseguenti LESIONI GRAVI O MORTALI.



Leva QR aperta

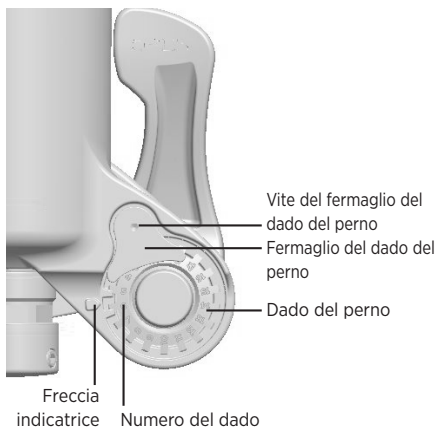


Leva QR chiusa



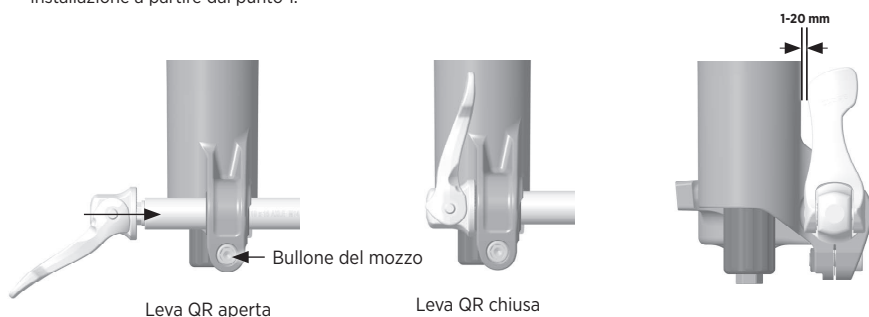
REGOLARE LO SGANCIO RAPIDO (FORCELLE 32, 34 E 36 RHYTHM)

1. Annotare il numero del dado a cui punta la freccia indicatrice.
2. Con una chiave esagonale da 2,5 mm, allentare la vite del fermaglio del dado del perno di circa 4 giri, senza rimuovere completamente la vite.
3. Spostare la leva a sgancio rapido verso la posizione aperta e svitare lo sgancio di circa 4 giri.
4. Spingere lo sgancio verso l'interno dal lato aperto della leva. Questo spinge fuori il fermaglio del dado, consentendone la rotazione fino a estrarlo.
5. Continuare a spingere sullo sgancio e ruotare in senso orario il dado del perno per aumentare la tensione della leva, oppure in senso antiorario per diminuire la tensione della leva.
6. Rimettere al proprio posto il fermaglio del dado del perno e serrare a una coppia di 0,9 N-m (8 poll.-lb).
7. Ripetere le istruzioni di installazione dello sgancio per verificare che l'installazione e la regolazione siano corrette.



INSTALLAZIONE SGANCIO RAPIDO DA 15 MM (FORCELLE 36 E 38)

1. Allentare il bullone del mozzo e installare la ruota anteriore nei forcellini. Far scivolare l'asse attraverso i forcellini lato di guida e il mozzo.
2. Aprire la leva dell'asse e il bullone del mozzo.
3. Ruotare l'asse in senso orario di 5-6 giri completi nel dado dell'asse.
4. Chiudere la leva. La leva deve avere abbastanza tensione da lasciare un'impronta sulla mano.
5. La posizione della leva di chiusura deve essere compresa tra 1 e 20 mm davanti al braccio della forcella.
6. Se la leva non ha abbastanza tensione, o ha troppa tensione quando è chiusa nella posizione raccomandata (1-20 mm davanti alla forcella), vedere la sezione successiva per le istruzioni di regolazione.
7. Comprimere la forcella per qualche volta per essere certi che il braccio inferiore sia inserito nel suo punto di attrito minimo.
8. Serrare il bullone del mozzo sul forcellino lato di guida a una coppia di 5,1 N-m (45 poll.-lb).
IMPORTANTE: Sarà sufficiente serrare il bullone del mozzo durante l'installazione della prima ruota. Dopo aver serrato il bullone del mozzo, è possibile rimuovere l'asse QR e sostituirlo senza allentare o serrare nuovamente il bullone del mozzo. Se si sostituiscono le ruote o i mozzi, è probabile che il bullone del mozzo debba essere regolato seguendo queste istruzioni di installazione a partire dal punto 1.



REGOLARE LO SGANCIO RAPIDO (FORCELLE AWL, 36 E 38)

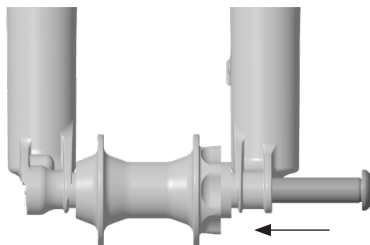
1. Notare in quale direzione deve ruotare la leva dell'asse per ottenere l'orientamento corretto.
2. Aprire la leva dell'asse nella forcella.
3. Tenendo la leva QR aperta e ferma in modo che non possa ruotare, utilizzare una chiave esagonale da 4 mm al centro dell'estremità dell'asse per regolare la posizione della leva. Con il regolatore da 4 mm impostato correttamente, si dovrebbe iniziare a sentire la tensione nell'asse quando la leva QR è a 90 gradi prima della chiusura completa in posizione verticale.
4. Ripetere le istruzioni di installazione dell'asse per verificare che l'installazione e la regolazione siano corrette.

INSTALLAZIONE KABOLT (AX, 32, 34 E 36 RHYTHM)

L'installazione della ruota non varia per i mozzi Kabolt da 15x100 mm, 15x110 mm e 12x100 mm.

IMPORTANTE: Il Kabolt concepito per le forcelle 2022 32 e 34, insieme alla forcella 2021 36 Rhythm, non è compatibile con le forcelle 2022 36 e 38.

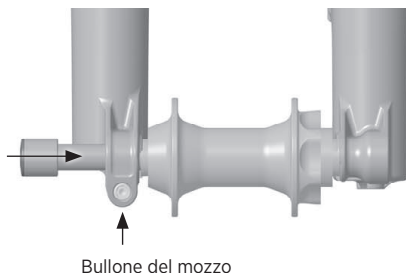
1. Installare la ruota anteriore nei forcellini. Far scorrere l'asse Kabolt attraverso il forcellino e il mozzo del lato alla sinistra del biker.
2. Utilizzare una chiave esagonale da 6 mm (5 mm per le forcelle AX) per serrare l'asse **Kabolt** (in senso orario) secondo la specifica di coppia incisa sulla testa del Kabolt.



INSTALLAZIONE KABOLT X (FORCELLE 36 E 38)

IMPORTANTE: Il Kabolt X è compatibile solo con le forcelle 2021+ 36 e 38.

1. Allentare il bullone del mozzo e installare la ruota anteriore nei forcellini. Far scivolare l'asse Kabolt X attraverso i forcellini lato di guida e il mozzo.
2. Utilizzare una chiave esagonale da 6 mm per serrare l'asse Kabolt (in senso orario) secondo la specifica di coppia incisa sulla testa del Kabolt.
3. Comprimerne la forcella un paio di volte per essere certi che il braccio inferiore sia inserito nel suo punto di attrito minimo.
4. Serrare il bullone del mozzo sul forcellino lato di guida a una coppia di 5,1 N-m (45 poll.-lb).



TEST GIOCO PNEUMATICI

⚠ AVVERTENZA

Se si deve utilizzare un mud guard o un parafango, è necessario effettuare il test del gioco degli pneumatici.

1. Far uscire tutta l'aria dalla forcella premendo la valvola Schrader.

⚠ AVVERTENZA

Le forcelle FOX possono contenere pressioni dell'aria elevate. Far uscire TUTTA l'aria dalla camera d'aria principale prima dello smontaggio. In caso contrario, potrebbe verificarsi l'espulsione di parti o liquidi dalla forcella, con il conseguente rischio di LESIONI GRAVI O MORTALI.

2. Comprimere completamente la forcella.
3. Misurare la distanza dai bordi della ruota gonfia al mud guard/parafango, alla piastra, all'archetto e forcella e il canotto di sterzo.

⚠ AVVERTENZA

Se non si lasciano almeno 8,5 mm di distanza tra i bordi dello pneumatico gonfiato e il mud guard/parafango, la piastra, l'archetto e la forcella lo pneumatico potrebbe incastrarsi sulla corona quando la forcella si comprime completamente con conseguenti GRAVI LESIONI O MORTE.

4. Aggiungere pressione all'impostazione desiderata utilizzando una pompa ad alta pressione FOX. Impostare l'abbassamento consultando le istruzioni online all'indirizzo www.ridefox.com.
5. È necessario ripetere il test OGNI volta che si sostituiscono gli pneumatici o i cerchi.

⚠ AVVERTENZA

Non superare la pressione pneumatica massima:

La pressione pneumatica massima della 32 FLOAT, AX e Rhythm è 140 psi.

34 FLOAT, AWL e Rhythm la pressione massima dell'aria è 120 psi. La pressione massima dell'aria di 36 FLOAT è 120 psi.

La pressione massima della 38 FLOAT è 140 psi.

La pressione massima dell'aria di 40 FLOAT è 120 psi.

La pressione minima dell'aria è:

40 psi per tutte le forcelle FLOAT e Rhythm.

Pressione misurata a una temperatura ambiente di 70-75 °F. La normale gamma di temperatura di esercizio per i prodotti Fox è 20-140 °F.



DISTANZIALI VOLUME DELLA MOLLA PNEUMATICA (ESCLUSIVAMENTE FORCELLE FLOAT E RHYTHM)

Cambiare i distanziali volume nelle forcelle FOX FLOAT e Rhythm rappresenta una semplice regolazione interna che consente di modificare la quantità di resistenza a metà corsa e fondo-corsa. Se è stato impostato l'abbassamento corretto e si nota un utilizzo troppo facile della corsa completa (fondocorsa) è possibile installare uno o più distanziali per aumentare la resistenza del fondocorsa. Se non si utilizza tutta la corsa, è possibile rimuovere uno o più distanziali per ridurre la resistenza del fondocorsa.

Nota: Alcune forcelle 32 FLOAT sono dotate di un distanziale volume cavo installato in fabbrica. I distanziali volume standard blu di 32 mm possono essere aggiunti al distanziale volume cavo per ridurre ulteriormente il volume d'aria, se desiderato.

1. Rimuovere il tappo dell'aria.
2. Far uscire tutta l'aria dalla forcella premendo la valvola Schrader.

⚠ AVVERTENZA

Le forcelle FOX possono contenere pressioni dell'aria elevate. Far uscire TUTTA l'aria dalla camera d'aria principale prima dello smontaggio. In caso contrario, potrebbe verificarsi l'espulsione di parti o liquidi dalla forcella, con il conseguente rischio di LESIONI GRAVI O MORTALI.

3. **Solo per le forcelle 40:** Utilizzare una chiave esagonale da 5 mm per allentare il bullone del mozzo della corona lato aria.
4. Sfilare con cautela la parte superiore della forcella con una chiave a bussola a impronta esagonale da 26 mm (per le forcelle 36, 38 e 40, utilizzare una chiave a bussola a impronta esagonale da 32 mm e per forcelle AX utilizzare un Park Tool FR-5 o FR-5.2 Cassette tool).
5. Sollevare per rimuovere il gruppo parte superiore dalla testa della forcella.
6. Far scorrere il distanziale volume o i distanziali orizzontalmente per installarli o rimuoverli dalla parte superiore.

⚠ AVVERTENZA

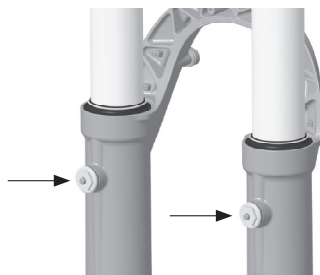
Non eccedere il numero massimo di distanziali volume per la propria forcella. Questo può danneggiare la forcella. Per informazioni sui distanziali on-line visitare il sito www.ridefox.com.

7. Reinstallare il gruppo parte superiore nella corona della forcella e serrare a 24,8 N-m (220 in-lb) con una chiave a bussola a impronta esagonale da 26 mm (per le forcelle 36, 38 e 40, utilizzare una chiave a bussola a impronta esagonale da 32 mm e per forcelle AX utilizzare un Park Tool FR-5 o FR-5.2 Cassette tool).
8. Aggiungere pressione all'impostazione desiderata utilizzando una pompa ad alta pressione FOX. Impostare l'abbassamento consultando le istruzioni online all'indirizzo www.ridefox.com.

PULSANTE DI RILASCIO ARIA/SFIATI BRACCI INFERIORI (FORCELLE 36, 38 E 40)

Il pulsante di rilascio aria sul retro di ciascun braccio della forcella consente alla pressione pneumatica accumulata di essere rilasciata per prestazioni ottimali. Con la forcella in posizione verticale, tenere premuto ogni pulsante per 5-10 secondi.

IMPORTANTE: Si può notare che un po' di olio potrebbe fuoriuscire dagli sfiati durante l'azionamento, questo è normale.



INSTALLAZIONE CONTROLLO A DISTANZA

Il controllo a distanza può essere installato sotto il manubrio sul lato non di guida, dove normalmente sarebbe posizionato un cambio anteriore, o sopra il manubrio sul lato di guida. Il controllo a distanza può essere utilizzato con due cavi per controllare contemporaneamente forcella e ammortizzatore.

AMMORTIZZATORI FIT4 ('PREMERE PER BLOCCARE' E 'PREMERE PER SBLOCCARE')

1. Installare la leva remota sul manubrio. Non superare 1,7 N-m (15 poll.-lb). Per i manubri in carbonio il valore necessario di coppia può essere inferiore. Per i manubri in carbonio, consultare le istruzioni per l'uso del produttore. Accertarsi di controllare la distanza tra la leva remota e i comandi dei freni o del cambio.
2. **Solo forcelle 'premere per bloccare':** instradare la guaina del cavo dalla leva di comando a distanza, attorno alla parte posteriore della piastra, alla serracavo della parte superiore della forcella e tagliare alla lunghezza appropriata. Installare una fascetta sull'estremità della guaina in prossimità del controllo remoto.
Solo forcelle 'premere per sbloccare': instradare la guaina del cavo dalla leva di comando a distanza, fino alla parte anteriore della piastra, alla serracavo della parte superiore della forcella e tagliare alla lunghezza appropriata. Installare fascette su entrambe le estremità della guaina del cavo.
3. Spingere la leva di rilascio per impostare la leva di comando a distanza in modalità APERTA. Accertarsi che la testa del cavo sia saldamente alloggiata nella leva remota.
4. Installare un pezzo corto di guaina con una fascetta tra il barilotto di regolazione in linea e il corpo della leva remota.
5. Con la guaina del cavo completamente in sede e in assenza di gioco nel sistema, lubrificare leggermente il cavo interno e farlo passare sulla guaina del cavo e attorno alla puleggia remota della forcella.
6. Reggendo bene il cavo, serrare il bullone di fissaggio, tagliare via il cavo in eccesso e crimpare l'estremità.

AMMORTIZZATORE GRIP PUSH-TO-LOCK ('PREMERE PER BLOCCARE')

1. Installare la leva remota sul manubrio. Non superare 1,7 N-m (15 poll.-lb). Per i manubri in carbonio il valore necessario di coppia può essere inferiore. Per i manubri in carbonio, consultare le istruzioni per l'uso del produttore. Accertarsi di controllare la distanza tra la leva remota e i comandi dei freni o del cambio.
2. Instradare la guaina del cavo dalla parte superiore della forcella, facendola passare in attorno alla parte posteriore della corona, verso la leva remota, tagliando alla lunghezza appropriata. Installare una fascetta sull'estremità della guaina in prossimità della leva remota e in prossimità della parte superiore della forcella.
3. Installare un pezzo corto di guaina con una fascetta tra il barilotto di regolazione in linea e il corpo della leva remota.
4. Spingere la leva del comando remoto più grande nella sua posizione di azionamento, questa è la modalità CHIUSA. Accertarsi che la testa del cavo sia saldamente alloggiata nella leva remota.
5. Utilizzare una chiave esagonale da 5 mm per ruotare la puleggia remota in senso orario a una coppia di circa 0,56 N-m (5 poll.-lb). Tenendo chiave esagonale da 5 mm e la puleggia in questa posizione, spingere la forcella per vedere se la forza di scarico è sufficiente secondo preferenza. Regolare la puleggia in senso orario per una maggiore forza in modalità CHIUSA, in senso antiorario per una minore forza in modalità CHIUSA fino a trovare la configurazione desiderata. Notare la posizione della vite di arresto della puleggia per la configurazione desiderata.
6. Con la guaina del cavo completamente in sede e in assenza di gioco nel sistema, lubrificare leggermente il cavo interno e farlo passare sulla guaina del cavo e attorno alla puleggia remota della forcella. Con la chiave esagonale da 5 mm che mantiene ancora la puleggia remota nella posizione di forza in modalità CHIUSA (dal punto 5), serrare il bullone a 1,13 N-m (10 in-lb).
7. Rilasciare la chiave esagonale da 5 mm dalla puleggia remota. Verificare che l'azionamento a distanza funzioni correttamente. Quindi tagliare via il cavo interno in eccesso e crimpare all'estremità.
8. Il barilotto di regolazione in linea può essere utilizzato per modificare la forza di scarico del blocco. La regolazione del barilotto in senso orario aumenta la forza di scarico, mentre la regolazione in senso antiorario diminuisce la forza di scarico.

AMMORTIZZATORI GRIP PUSH-TO-UNLOCK ('PREMERE PER SBLOCCARE')

1. Installare la leva remota sul manubrio. Non superare 1,7 N-m (15 poll.-lb). Per i manubri in carbonio il valore necessario di coppia può essere inferiore. Per i manubri in carbonio, consultare le istruzioni per l'uso del produttore. Accertarsi di controllare la distanza tra la leva remota e i comandi dei freni o del cambio.
2. Instradare la guaina del cavo dalla parte superiore della forcella, facendola passare in attorno alla parte posteriore della corona, verso la leva remota, tagliando alla lunghezza appropriata. Installare una fascetta sull'estremità della guaina in prossimità della leva remota e in prossimità della parte superiore della forcella.
3. Installare un pezzo corto di guaina con una fascetta tra il barilotto di regolazione in linea e il corpo della leva remota.
4. Lasciare la leva di azionamento in posizione non azionata, questa è la modalità CHIUSA. Accertarsi che la testa del cavo sia saldamente alloggiata nella leva remota.
5. Si noti che l'ammortizzatore Push-to-Unlock è in modalità CHIUSA per impostazione predefinita. Premere la forcella per vedere se la forza di scarico in modalità CHIUSA è sufficiente secondo preferenza. Se è così, passare al punto 6. In caso contrario, usare una chiave esagonale da 5 mm sulla puleggia per regolare leggermente la puleggia (in senso orario per una maggiore forza in modalità CHIUSA, in senso antiorario per una minore forza in modalità CHIUSA) per trovare la configurazione desiderata.
6. Con la guaina del cavo completamente in sede e in assenza di gioco nel sistema, lubrificare leggermente il cavo interno e farlo passare sulla guaina del cavo e attorno alla puleggia remota della forcella. Se necessario (a partire dal punto 5), con la chiave esagonale da 5 mm che mantiene la puleggia remota nella posizione della forza desiderata per la modalità CHIUSA, serrare il bullone a 1,13 N-m (10 in-lb).
7. Rilasciare la chiave esagonale da 5 mm dalla puleggia remota. Testare l'azionamento a distanza per accertarsi che funzioni correttamente. Tagliar via il cavo interno in eccesso e crimpare all'estremità.
8. Il barilotto di regolazione in linea può essere utilizzato per modificare la forza di scarico del blocco. La regolazione del barilotto in senso orario diminuisce la forza di scarico, mentre la regolazione in senso antiorario aumenta la forza di scarico.

MANUTENZIONE

Una pulizia adeguata del prodotto FOX tra un utilizzo e l'altro, oltre a un servizio di manutenzione programmato a intervalli regolari, aiuta a ridurre i costi di riparazione e prolunga la durata del prodotto.

Per ulteriori informazioni sulle procedure di manutenzione, visitare il sito www.ridefox.com/OwnersManuals, oppure contattare FOX per un servizio completo di manutenzione (**1.800.369.7469** o mtbservice@ridefox.com).

Elementi di manutenzione minimi consigliati	Prima di ogni sessione di guida	Dopo ogni sessione di guida	Regolarmente	Ogni 125 ore o una volta l'anno, in base a quale evento si verifica prima*
Ispezionare l'intera parte esterna della forcella/ammortizzatore. La forcella/ammortizzatore non devono essere usati se una loro qualsiasi parte esterna appare danneggiata. Rivolgersi al rivenditore locale o a FOX per riparazioni.	X			
Controllare che le leve a sgancio rapido e gli assi siano correttamente regolati e serrati.	X			
Controllare la regolazione della serie sterzo. Se è allentata, regolarla seguendo i valori raccomandati dal produttore della bicicletta.	X			
Controllare che tutti i cavi o tubi dei freni siano fissati correttamente. Controllare il corretto funzionamento dei freni anteriori e posteriori su una superficie piana.	X			
Pulire la parte esterna solo con acqua e sapone delicato; asciugare con un panno morbido. Non utilizzare idropulitrici né spruzzare acqua direttamente sulla giunzione tra guarnizione/corpo dell'ammortizzatore.		X		
Controllare le impostazioni dell'abbassamento e dell'ammortizzatore. Ispezionare i comandi per rilevare l'eventuale presenza di danni e verificarne il funzionamento.			X	
Revisione completa (ispezione completa interna/esterna, revisione degli ammortizzatori, sostituzione della guarnizione per gli ammortizzatori pneumatici, revisione della molla, sostituzione dell'olio del bagno e del parapolvere).				X

*Se si effettuano corse con pendenza (downhill), parking o freeride estremo, oppure se si guida in condizioni di bagnato/fango o secco/polveroso in cui i detriti del sentiero vengono spruzzati sulla forcella, FOX consiglia ai biker di effettuare la manutenzione con frequenza superiore a quella indicata, in base alle necessità. Se si avvertono anomalie, interrompere immediatamente la guida e contattare un centro assistenza FOX autorizzato per i controlli e le riparazioni necessarie.

VEDERE ULTERIORI INFORMAZIONI E VIDEO:

ridefox.com

Fox Factory, Inc., multinazionale californiana con sede in 915 Disc Dr, Scotts Valley, CA 95066, USA ("FOX"), stabilisce la seguente GARANZIA LIMITATA per i suoi prodotti per sospensioni:

GARANZIA LIMITATA FOX

GARANZIA LIMITATA DI UN (1) ANNO SUI PRODOTTI PER SOSPENSIONI

Nel rispetto delle limitazioni, dei termini e delle condizioni del presente documento, FOX garantisce al proprietario originale (consumatore) di ogni nuovo prodotto per sospensioni FOX che lo stesso, in condizioni nuove, è privo di difetti di materiale e lavorazione. Questa garanzia limitata scade dopo un (1) anno dalla data di acquisto del prodotto per sospensioni FOX originale presso un punto vendita FOX autorizzato o un produttore di attrezzatura originale FOX autorizzato presso il quale la sospensione FOX sia in dotazione come attrezzatura originale nel veicolo acquistato.

TERMINI DI GARANZIA

Questa garanzia limitata è valida a condizione che il prodotto per sospensioni FOX venga utilizzato in condizioni normali e conservato correttamente secondo quanto specificato da FOX. Questa garanzia limitata è applicabile solo alle sospensioni FOX acquistate nuove da una fonte FOX autorizzata ed è valida solo per il proprietario originale (consumatore) del nuovo prodotto per sospensioni FOX, pertanto non è trasferibile ad eventuali proprietari successivi a quello originale.

Nel caso in cui venisse determinato da FOX, a sua unica discrezione, che un prodotto per sospensioni FOX sia coperto da questa garanzia limitata, questo verrà riparato o sostituito, da un modello confrontabile, scelto esclusivamente da FOX, in modo conclusivo e vincolante. QUESTA RAPPRESENTA L'UNICA ED ESCLUSIVA FORMA DI RIPARAZIONE SOTTO QUESTA GARANZIA LIMITATA. SONO ESCLUSI TUTTI GLI ALTRI EVENTUALI RISARCIMENTI CHE POTREBBERO ESSERE APPLICABILI AI SENSI DI QUESTA GARANZIA LIMITATA, COMPRESI, A TITOLO ESEMPLIFICATIVO MA NON LIMITATIVO, DANNI ACCIDENTALI, INDIRETTI O PUNITIVI.

Questa garanzia limitata non si applica alla normale usura, malfunzionamenti o guasti che derivano da abuso, negligenza, montaggio improprio, alterazione o modifica, riparazione o manutenzione impropria o non autorizzata, sinistri, incidenti o collisioni, o altro uso anomalo, eccessivo o improprio.

La presente garanzia limitata riconosce al consumatore alcuni diritti legali specifici. Il consumatore può anche avere altri diritti legali ai sensi delle vigenti leggi nazionali non compromessi da questa garanzia limitata. Se un tribunale competente per giurisdizione determina che una particolare disposizione della presente garanzia limitata non sia valida, tale determinazione non influenza alcuna altra disposizione della presente garanzia limitata e tutte le altre disposizioni restano in vigore.

LA PRESENTE È L'UNICA GARANZIA CONCESSA DA FOX PER I SUOI PRODOTTI E COMPONENTI PER SOSPENSIONI E NON ESISTE ALCUNA GARANZIA CHE SI ESTENDA OLTRE LA DESCRIZIONE QUI RIPORTATA. È ESCLUSA QUALSIASI GARANZIA CHE POSSA ESSERE SOTTINTESA DALLA LEGGE, COMPRESA, A TITOLO ESEMPLIFICATIVO MA NON LIMITATIVO, QUALSIASI GARANZIA IMPLICITA DI COMMERCIALIZZABILITÀ O IDONEITÀ A UNO SCOPO PARTICOLARE.

La presente garanzia limitata è disciplinata esclusivamente dalle leggi dello Stato della California.

Quando si presenta un reclamo ai sensi della presente Garanzia limitata, sarà richiesto di fornire ad un centro di assistenza autorizzato FOX:

1. Il prodotto (o la parte interessata) e
2. Una copia della prova d'acquisto originale, che indica chiaramente il nome e l'indirizzo del venditore, la data e il luogo di acquisto, il codice prodotto e, se utilizzato, un numero di serie. Se i prodotti FOX sono venduti come parte di una bicicletta completa, la marca, il modello, l'anno del modello e il numero di serie della bicicletta devono essere inclusi.

HERZLICHEN GLÜCKWUNSCH!

Wir gratulieren zu Ihrer neuen FOX-Federung für Ihr Fahrrad. Alle FOX-Federungsprodukte werden von branchenweit führenden Spezialisten in Santa Cruz County (Kalifornien) in den USA entwickelt und getestet. Bitte befolgen Sie die Hinweise und Anweisungen in diesem Handbuch, um Ihr neues FOX-Produkt ordnungsgemäß einzustellen, zu verwenden und zu warten.

Weitere Informationen finden Sie unter <http://www.ridefox.com/OwnersManuals>. Kontaktieren Sie bei Bedarf FOX US telefonisch unter 1.800.369.7469 oder per E-Mail an mtbservice@ridefox.com. Außerhalb der USA können Sie sich auch an eines der zugelassenen internationalen FOX Service-Center wenden, die Sie unter <http://www.ridefox.com/GlobalDistributors> finden. Wenn Sie nicht über einen Internetzugang verfügen, wenden Sie sich an FOX, um kostenlos ein Druckexemplar der Online-FOX-Bedienungsanleitung für Ihr Produkt zu bestellen.



WARNHINWEISE UND SICHERHEITSMITTELMEN

Produkte von FOX müssen von einem professionellen Fahrradmechaniker gemäß den FOX-Einbauanleitungen eingebaut werden. Unsachgemäß eingebaute Gabeln können versagen, sodass der Fahrer die Kontrolle über das Fahrrad verliert, was zu SCHWEREN ODER TÖDLICHEN VERLETZUNGEN führen kann.

Modifizierungen oder Veränderungen von FOX-Produkten können Fehlfunktionen des Produkts verursachen, die zu SCHWEREN ODER TÖDLICHEN VERLETZUNGEN führen können. Sie dürfen KEINE Teile eines FOX-Produkts modifizieren oder verändern (einschließlich: Schraubenfedern, Querbrücke am unteren Gabelbein, Gabelkopf, Gabelschaft, Standrohre, Gabelbein, Luftkammer, Sattelstütze, Luft-Volumendistanzstücke, Innenteile, Achslochplättchen, Achsadapter und alle anderen Teile).

FOX-Fahrrad-Federungsprodukte dürfen auch an elektrisch betriebenen Fahrrädern der Klasse 1 (USA-Bezeichnung) und L1e-A (EU-Bezeichnung) verwendet werden.

FOX E-BIKE+-Federungsprodukte dürfen auch an elektrisch betriebenen Fahrrädern der Klasse 3 (USA-Bezeichnung) und L1e-B (EU-Bezeichnung) verwendet werden.

Verwenden Sie FOX 32 AX-, 32-mm-FLOAT-, 32-mm-Step-Cast- oder 34-mm-Step-Cast-Gabeln NICHT an pedalunterstützten motorisierten Fahrrädern oder Motorfahrzeugen, die eine unterstützte Höchstgeschwindigkeit von mehr als 32 km/h (20 mph) erreichen, oder deren max. Systemgewicht 121 kg (266 lb) übersteigt.

Verwenden Sie FOX-Fahrrad-Federungsprodukte NICHT an pedalunterstützten motorisierten Fahrrädern oder Motorfahrzeugen, die eine unterstützte Höchstgeschwindigkeit von mehr als 32 km/h (20 mph) erreichen, oder deren max. Systemgewicht 140 kg (308 lb) übersteigt.

Verwenden Sie FOX-E-BIKE+-Federungsprodukte NICHT an pedalunterstützten motorisierten Fahrrädern oder Motorfahrzeugen, die eine unterstützte Höchstgeschwindigkeit von mehr als 45 km/h (28 mph) erreichen, oder deren max. Systemgewicht 169 kg (372 lb) übersteigt. Verwenden Sie FOX-Fahrrad-Federungsprodukte NICHT an motorisierten Fahrzeugen mit Gaszug.

Bei nicht bestimmungsgemäßer Verwendung von FOX-Federungsprodukten kann die Federung versagen, was zu Sachschäden oder sogar SCHWEREN ODER TÖDLICHEN VERLETZUNGEN führen kann. Außerdem erlischt die Garantie.

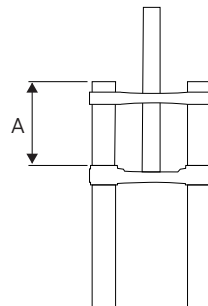
Verwenden Sie FOX-Fahrrad-Federungsprodukte NICHT an Fahrzeugen, die mehr als eine Person befördern, beispielsweise Tandems oder schwere Lastfahrräder.

Das Gabelschaftrohr darf nicht entfernt oder ausgetauscht werden. Dies könnte zum Verlust der Kontrolle über das Fahrrad führen, sodass die Gefahr von SCHWEREN ODER TÖDLICHEN VERLETZUNGEN besteht.

Versuchen Sie nicht, den Gabelschaft oder die oberen Gabelrohre unabhängig vom Gabelkopf auszutauschen. Wenn Sie den integrierten Gabelkopf, Gabelschaft oder die oberen Gabelrohre verändern, kann dies zum Versagen der Baugruppe und zum Verlust der Kontrolle über das Fahrrad führen, sodass die Gefahr von SCHWEREN ODER TÖDLICHEN VERLETZUNGEN besteht.

Kürzen Sie das Gabelschaftrohr nicht mehr als drei (3) mm unterhalb des am höchsten montierten Teils. Wenn der Gabelschaft irrtümlich zu kurz abgeschnitten wird, MUSS die Gabelkopf/Gabelschaft/Standrohr-Baugruppe ERSETZT WERDEN! Die Verwendung einer zu kurzen Gabel mit Vorbauklammer kann zum plötzlichen Versagen der Gabel und zum Verlust der Kontrolle über das Fahrrad führen, sodass die Gefahr von SCHWEREN ODER TÖDLICHEN VERLETZUNGEN besteht.

Die Position der Standrohre der 27,5- und 29-Zoll-FOX 40-mm-Gabeln ist ab Werk voreingestellt, um ausreichend Freiraum für einen 2,50-Zoll-Reifen sicherzustellen. Der Standardabstand von der Gabelkopf-Oberkante zur Standrohr-Oberkante ist 137,5 mm (A). Der Abstand von der Gabelkopf-Oberkante zur Standrohr-Oberkante darf nicht mehr als 137 mm betragen. Bei einer höheren Standrohrposition als 137 mm würde sich der Freiraum vom Reifen zum Gabelkopf verringern, was zum Verlust der Kontrolle über das Fahrrad und SCHWEREN ODER TÖDLICHEN VERLETZUNGEN führen kann.



Der Abstand von der Gabelkopf-Oberkante zur Standrohr-Oberkante darf nicht weniger als 127 mm (A) betragen. Abstände zum Standrohr von weniger als 127 mm können Fehlfunktionen des Produkts verursachen, die zu SCHWEREN ODER TÖDLICHEN VERLETZUNGEN führen können.

Installieren Sie den FOX 40 Mud Guard nicht, ohne zuvor den Abstand von der Gabelkopf-Oberkante zur Standrohr-Oberkante maximal auf 132 mm (A) einzustellen. Der Abstand von der Gabelkopf-Oberkante der FOX 40-Gabel mit dem FOX 40 Mud Guard MUSS EXAKT 132



mm betragen. Andernfalls kann es zu SCHWEREN ODER TÖDLICHEN VERLETZUNGEN kommen.

Wenn der Gabelschaft Kratzer oder Riefen aufweist, die sich mit dem Fingernagel fühlen lassen, muss die Gabelkopf-/Gabelschaft-Baugruppe ausgetauscht werden. Kratzer und Riefen können zum Versagen des Gabelschaftes und zum Verlust der Kontrolle über das Fahrrad führen, sodass die Gefahr von SCHWEREN ODER TÖDLICHEN VERLETZUNGEN besteht.

In gewindlose FOX-Gabelschaftrohre dürfen keine Gewinde geschnitten werden. Wenn Sie ein Gewinde in ein gewindloses Gabelschaftrohr schneiden, kann dies zum Versagen des Gabelschaftes und zum Verlust der Kontrolle über das Fahrrad führen, sodass die Gefahr von SCHWEREN ODER TÖDLICHEN VERLETZUNGEN besteht.

Die Gesamthöhe der Distanzstücke auf dem Gabelschaft unter dem Vorbau darf 30 mm nicht übersteigen. Andernfalls kann der Vorbau versagen, sodass der Fahrer die Kontrolle über das Fahrrad verliert und die Gefahr von SCHWEREN ODER TÖDLICHEN VERLETZUNGEN besteht.

Achten Sie stets darauf, dass Komponenten wie Züge oder Zugaußenhüllen nicht in Berührung mit dem Gabelschaft kommen. Wenn die Züge und Außenhüllen an Ihrem Fahrrad innen verlegt werden, beachten Sie die Sicherheitshinweise in der Bedienungsanleitung des Fahrradherstellers. Wenn Züge und/oder Außenhüllen in Berührung mit einem Gabelschaft kommen, kann dies zum Versagen des Gabelschaftes und zum Verlust der Kontrolle über das Fahrrad führen, sodass die Gefahr von SCHWEREN ODER TÖDLICHEN VERLETZUNGEN besteht.

Wenn eine Zughülle den Gabelkopf berührt, führt dies mit der Zeit zur Beschädigung des Gabelkopfes durch Abrieb. Falls sich der Kontakt nicht vermeiden lässt, verwenden Sie Klebeband oder ähnliches Material, um die Kontaktfläche zu schützen. Schäden durch Abrieb am FOX-Gabelkopf sind von der FOX-Garantie nicht gedeckt.

Unschadgemäße Wartung oder die Verwendung von Fremdbauteilen an FOX-Gabeln und Dämpfern können Fehlfunktionen des Produkts verursachen, die zu SCHWEREN ODER TÖDLICHEN VERLETZUNGEN führen können.

Zwischen den Achsaufnahmen der Gabel können sich Schmutz und Verunreinigungen ansammeln. Überprüfen und reinigen Sie diesen Bereich daher stets, bevor Sie das Laufrad einbauen. Eine fehlerhafte Montage von Naben und Achsen kann zu SCHWEREN ODER TÖDLICHEN VERLETZUNGEN führen.

Reinigen Sie Ihr FOX-Produkt nicht mit einem Hochdruckreiniger.

Falls Ihre Gabel Öl verliert, stark ausfedert bzw. durchschlägt oder ungewöhnliche Geräusche daran

aufzutreten, fahren Sie nicht mit der Gabel und lassen Sie die Komponente unverzüglich von FOX oder einem zugelassenen Service-Center überprüfen.

32 AX-Gabeln benötigen bei voller Einfederung einen Freiraum von mindestens 8,5 mm zwischen den Seiten des aufgepumpten Reifens und dem Schutzblech oder dem Gabelkopf und dem Gabelschaft. Verwenden Sie 32 AX-Gabeln niemals mit einem Reifen größer als 700 c x 50 mm. Reifen bis Größe 700 c x 45 mm können mit einem Schutzblech verwendet werden. Reifen ab Größe 700 c x 45 mm dürfen NIEMALS mit einem Schutzblech verwendet werden; der Freiraum wäre nicht ausreichend. Ohne ausreichenden Freiraum kann der Reifen bei vollständig eingefederter Gabel den Gabelkopf oder das Schutzblech berühren, was zu SCHWEREN ODER TÖDLICHEN VERLETZUNGEN führen kann.

An AWL-Gabeln montierte Leuchten müssen zu allen Schutzblechkomponenten und beweglichen Teilen einen Abstand von mindestens 8,5 mm aufweisen. Wenn zwischen der Leuchtenhalterung und einem Schutzblech oder anderen beweglichen Teilen kein Freiraum von mindestens 8,5 mm vorhanden ist, kann der Reifen bei vollständig eingefederter Gabel die fraglichen Teile berühren, was zu SCHWEREN ODER TÖDLICHEN VERLETZUNGEN führen kann.

Befolgen Sie zur ordnungsgemäßen Montage und Einstellung des Bremssystems die Herstelleranweisungen. Wenn Sie Ihre Bremsen nicht ordnungsgemäß einbauen und einstellen, kann es zum Verlust der Kontrolle über das Fahrrad kommen, was zu SCHWEREN ODER TÖDLICHEN VERLETZUNGEN führen kann.

Ihre Gabel oder Ihr Dämpfer kann in bestimmten Situationen versagen, wie z. B. wenn Komponenten oder Bauteile der Gabel oder des Dämpfers sich verbiegen oder brechen. Jegliche Zustände, die zu einem Verlust von Luft und/oder Öl führen, z. B. Unfälle oder längerer Nichtgebrauch, können ebenfalls zum Versagen Ihrer Gabel oder Ihres Dämpfers führen. Beschädigte und/oder leckende Gabeln oder Dämpfer können versagen, was zu Unfällen und SCHWEREN ODER TÖDLICHEN VERLETZUNGEN führen kann. Wenn Sie vermuten, dass Ihre Gabel oder Ihr Dämpfer beschädigt sein könnte, fahren Sie nicht mehr mit dem Fahrrad und wenden Sie sich zur Überprüfung und Reparatur an FOX.

Fahrradträger mit Gabelbefestigung können Schäden an den Gabelbeinen und/oder Ausfallenden verursachen, insbesondere in Fällen, in denen die Gabel seitlich belastet wird und/oder wenn das Hinterrad im Fahrradträger nicht fixiert ist. Beschädigte Gabelbeine und/oder Ausfallenden können versagen, was zu Unfällen und SCHWEREN ODER TÖDLICHEN VERLETZUNGEN führen kann. Wenn Sie vermuten, dass Ihre Gabel beschädigt sein könnte, wenden Sie sich zur Überprüfung und Reparatur an FOX.

EINBAU DER GABEL

1. Bauen Sie die vorhandene Gabel aus dem Fahrrad aus. Nehmen Sie die Lagerschale von der alten Gabel ab. Messen Sie die Gabelschaftlänge der vorhandenen Gabel und übertragen Sie diesen Messwert auf den Gabelschaft Ihrer neuen FOX-Gabel. Wenn keine alte Gabel vorhanden ist, messen Sie die Bauhöhe des Steuersatzes (Steuersatzteile und Steuerrohr) und lesen Sie in der Anleitung Ihres Vorbauherstellers nach, um eine ausreichende Klemmfläche für den Vorbau sicherzustellen.
2. Kürzen Sie den Gabelschaft auf die benötigte Länge.

Für Gabeln mit einfachem Gabelkopf (32, 34, 36 und 38 mm) und Gabel mit Doppel-Gabelkopf (40 mm) für Vorbau zur Montage am Gabelschaft: Bringen Sie am Gabelschaft eine Markierung an, und kürzen Sie ihn auf die richtige Länge.

Für Gabel mit Doppel-Gabelkopf (40 mm) für Direktbefestigungs-Vorbau: Markieren Sie die Oberkante

des oberen Gabelkopfes auf dem Gabelschaftrohr. Nehmen Sie die Gabel wieder ab, und kürzen Sie den Gabelschaft 3 mm unterhalb der Markierung. Durch diesen Abstand von 3 mm kann die Vorbauabdeckkappe so angezogen werden, dass der Steuersatz leicht vorgespannt und jegliches Spiel beseitigt wird.

WARNUNG

Lesen Sie vor dem Kürzen in der Anleitung des Herstellers Ihres Steuersatzes und Ihres Vorbaus nach, um sicherzustellen, dass der Gabelschaft ausreichend Klemmfläche für die Montage bietet. Bei fehlerhafter Montage kann sich der Vorbau vom Gabelkopf lösen. Dies kann zum Verlust der Kontrolle über das Fahrrad sowie zu SCHWEREN ODER TÖDLICHEN VERLETZUNGEN führen.

3. Bauen Sie den Steuersatz ein. Verwenden Sie stets einen neuen gewindelosen Steuersatz, und befolgen Sie die Montageanleitung des Steuersatzherstellers.
4. Verwenden Sie für Gabelschäfte mit 1 1/2 Zoll einen 39,8-mm-Lagerkonus, für 1 1/8-Zoll-Gabelschäfte einen 29,9-mm-Lagerkonus. Verwenden Sie zum Aufpressen des Gabelkopflagers ein dafür vorgesehenes Werkzeug, damit das Lager fest auf dem Gabelkopf aufsitzt.
5. Montieren Sie mit einem dafür vorgesehenen Werkzeug die Krallen 4 bis 10 mm unter der Oberkante des Gabelschafte.
6. Bauen Sie die Gabel in das Fahrrad ein.

FOX-Gabeln mit Gabelschaft mit Einfach- oder Doppel-Gabelkopf: Bauen Sie die Steuersatzteile und den Vorbau gemäß den Anweisungen des Steuersatzherstellers ein und stellen Sie die Vorspannung des Steuersatzes entsprechend ein, bis er sich ohne Spiel leichtgängig dreht. Ziehen Sie die Vorbauklemmschrauben mit dem vom Vorbauhersteller vorgeschriebenen Drehmoment an.

FOX-Gabeln mit Gabelschaft mit Doppel-Gabelkopf: Montieren Sie die Lenkansschlagstopper auf den Standrohren. Ziehen Sie mit einem Drehmomentschlüssel alle oberen und unteren Gabelkopf-Klemmschrauben mit 7,3 N-m (65 in-lb) an. Bitte beachten: Die FOX 40 kann mit einem Direktmontage-Vorbau oder einem Vorbau für die Montage am Gabelschaft versehen werden. Das Drehmoment der Schrauben des Direktmontage-Vorbaus auf dem Gabelkopf darf 12,4 N-m (110 in-lb) nicht überschreiten.

WARNUNG

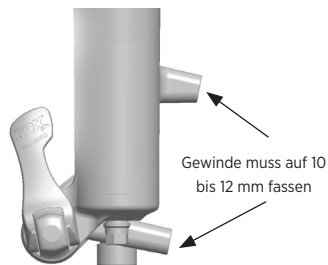
Die 32 AX-Gabel muss so am Fahrrad montiert werden, dass die untere Gabelbeinbrücke zum Heck des Fahrrades weist. Alle anderen FOX-Gabeln müssen so am Fahrrad montiert werden, dass die untere Gabelbeinbrücke in Fahrtrichtung weist. Unsachgemäß eingebaute Gabeln können versagen, sodass der Fahrer die Kontrolle über das Fahrrad verliert, was zu SCHWEREN ODER TÖDLICHEN VERLETZUNGEN führen kann.

7. Montieren Sie die Bremsen gemäß den Anweisungen des Bremsenherstellers. Die maximale Bremsscheibengröße für 32 Step Cast-27,5-Zoll, 34 Step Cast- und AX-Gabeln ist 180 mm. Für alle anderen 32- und 34-FOX-Gabeln kann eine Bremsscheibe von bis zu 203 mm verwendet werden (einschließlich 32 Step Cast-29-Zoll-Gabeln). Für alle AWL-, 36-, 38- und 40-FOX-Gabeln kann eine Bremsscheibe von bis zu 230 mm verwendet werden.

WARNUNG

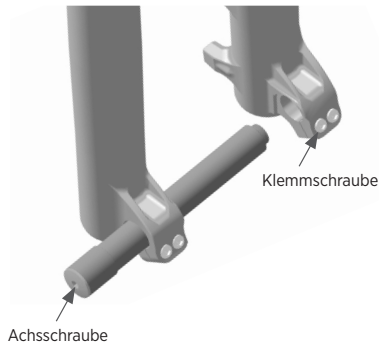
Das Gewinde der Scheibenbremssattel-Befestigungsschrauben muss 10 bis 12 mm in der Gabel fassen. Ziehen Sie die Bremssattel-Montageschrauben mit einem Drehmomentschlüssel auf das vom Hersteller der Scheibenbremse vorgeschriebene Drehmoment an, jedoch nicht auf mehr als 10,2 Nm (90 in-lb). Bei fehlerhafter Montage kann die Bremse versagen. Dies kann zum Verlust der Kontrolle über das Fahrrad sowie zu SCHWEREN ODER TÖDLICHEN VERLETZUNGEN führen.

8. Führen Sie die Bremsleitung oder die Bremszughülle der vorderen Scheibenbremse zur Innenseite des unteren Gabelbeins und durch die mitgelieferte Scheibenbremsen-Zughüllenführung. Ziehen Sie mit einem Drehmomentschlüssel die Bremsleitungsführungsschraube auf 0,9 N-m (8 in-lb) an.



EINBAU DER 20 X 110-BOOST-ACHSE (40-GABEL)

1. Setzen Sie das Vorderrad in die Ausfallenden ein und schieben Sie die Achse durch die Ausfallenden und die Nabe.
2. Ziehen Sie die Achsschraube mit einem 5-mm-Inbusschlüssel auf 2,2 N-m (19 in-lb) an.
3. Ziehen Sie die beiden Klemmschrauben am Ausfallende auf der Nicht-Antriebsseite mit 2,2 N-m (19 in-lb) an.
4. Lassen Sie die Gabel einige Male einfedern, um sicherzustellen, dass sich das untere Gabelbein am niedrigsten Reibungspunkt befindet.
5. Ziehen Sie die beiden Klemmschrauben am Ausfallende auf der Antriebsseite mit 2,2 N-m (19 in-lb) an.



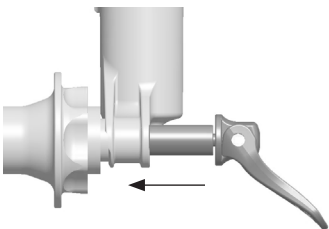
EINBAU DES 15-MM-SCHNELLSPANNERS (32-, 34-, AWL- UND 36-RHYTHM-GABELN)

Das Verfahren zum Einbau der 15x100-mm- und 15x110-mm-Schnellspannachsen ist dasselbe.

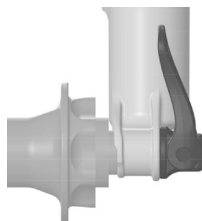
1. Setzen Sie das Vorderrad in die Ausfallenden der Gabel ein. Schieben Sie die Achse durch das Ausfallende auf der Nicht-Antriebsseite und die Nabe.
2. Öffnen Sie den Achshebel.
3. Drehen Sie die Achse um 5 bis 6 volle Umdrehungen im Uhrzeigersinn in die Achsmutter.
4. Schließen Sie den Schnellspannhebel. Der Hebel muss genügend Spannung haben, um einen Abdruck auf Ihrer Hand zu hinterlassen.
5. Der Hebel muss sich in geschlossener Position 1 bis 20 mm vor dem Gabelbein befinden.
6. Wenn der Hebel nicht genügend Spannung oder zu viel Spannung hat, wenn er in der empfohlenen Position geschlossen ist (1 bis 20 mm vor der Gabel), befolgen Sie die Anweisungen zur Einstellung im nächsten Abschnitt.

⚠ WARNUNG

Ziehen Sie den Hebel nur von Hand fest. Verwenden Sie keine Werkzeuge, um den Schnellspannhebel festzuziehen. Wenn Sie die Schnellspannhebel zu fest anziehen, können die Achse oder die Gabelausfallenden beschädigt werden, was zum plötzlichen Versagen dieser Komponenten und somit zu SCHWEREN ODER TÖDLICHEN VERLETZUNGEN führen kann. Wenn Sie die Achse nicht ordnungsgemäß fixieren, kann sich das Laufrad während der Fahrt lösen, sodass die Gefahr von SCHWEREN ODER TÖDLICHEN VERLETZUNGEN besteht.



Schnellspannhebel geöffnet

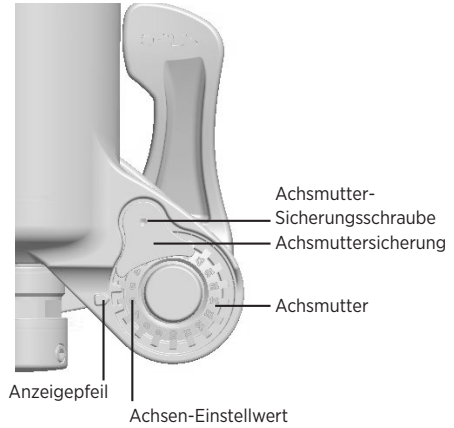


Schnellspannhebel geschlossen



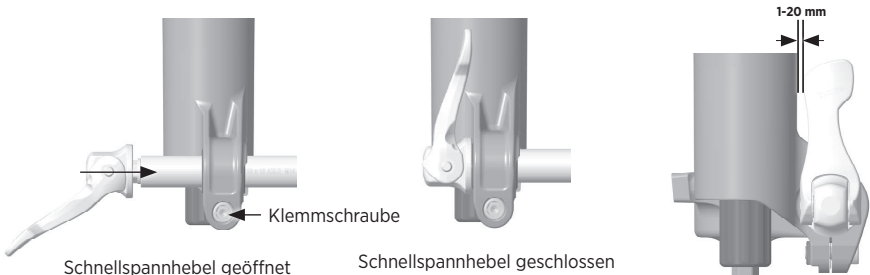
EINSTELLEN DES SCHNELLSPANNERS (32-, 34- UND 36-RHYTHM-GABELN)

1. Notieren Sie sich den Achsen-Einstellwert, der durch den Anzeigepfeil angegeben wird.
2. Lösen Sie mit einem 2,5-mm-Inbusschlüssel die Achsmutter-Sicherungsschraube um ca. 4 Umdrehungen, ohne jedoch die Schraube vollständig zu entfernen.
3. Drehen Sie den Schnellspannhebel in die offene Position und lösen Sie die Achse um ca. 4 Umdrehungen.
4. Drücken Sie die Achse von der Seite des offenen Hebels aus nach innen. Dadurch wird die Achsmutter-Sicherungsschraube herausgeschoben, sodass Sie sie beiseite drehen können.
5. Schieben Sie die Achse weiter vor und drehen Sie die Achsmutter im Uhrzeigersinn, um die Hebelspannung zu erhöhen, oder drehen Sie sie gegen den Uhrzeigersinn, um die Hebelspannung zu verringern.
6. Setzen Sie die Achsmuttersicherung wieder ein und ziehen Sie die Schraube mit 0,9 N-m (8 in-lb) fest.
7. Wiederholen Sie die Schritte zum Einbau der Achse, um den ordnungsgemäßen Einbau und die korrekte Einstellung zu überprüfen.



EINBAU DES 15-MM-SCHNELLSPANNERS (36- & 38-GABELN)

1. Lösen Sie die Klemmschraube und setzen Sie das Vorderrad in die Ausfallenden der Gabel ein. Schieben Sie die Achse durch das Ausfallende auf der Antriebsseite und die Nabe.
2. Öffnen Sie den Achshebel und die Klemmschraube.
3. Drehen Sie die Achse um 5 bis 6 volle Umdrehungen im Uhrzeigersinn in die Achsmutter.
4. Schließen Sie den Schnellspannhebel. Der Hebel muss genügend Spannung haben, um einen Abdruck auf Ihrer Hand zu hinterlassen.
5. Der Hebel muss sich in geschlossener Position 1 bis 20 mm vor dem Gabelbein befinden.
6. Wenn der Hebel nicht genügend Spannung oder zu viel Spannung hat, wenn er in der empfohlenen Position geschlossen ist (1 bis 20 mm vor der Gabel), befolgen Sie die Anweisungen zur Einstellung im nächsten Abschnitt.
7. Lassen Sie die Gabel einige Male einfedern, um sicherzustellen, dass sich das untere Gabelbein am niedrigsten Reibungspunkt befindet.
8. Ziehen Sie die Klemmschraube am Ausfallende auf der Antriebsseite mit 5,1 N-m (45 in-lb) an.
WICHTIG: Sie brauchen die Klemmschraube nur beim ersten Einbau des Laufrads festzuziehen. Nachdem Sie die Klemmschraube festgezogen haben, können Sie die Schnellspannachse entfernen und wieder einsetzen, ohne die Klemmschraube zu lösen oder wieder festzuziehen. Wenn Sie Laufräder oder Naben wechseln, müssen Sie wahrscheinlich die Klemmschraube festziehen, indem Sie diese Montageanweisungen ab Schritt 1 befolgen.



EINSTELLEN DES SCHNELLSPANNERS (AWL-, 36- UND 38-GABELN)

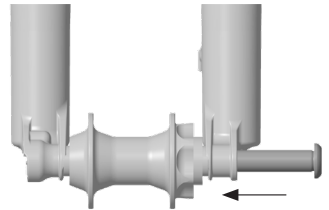
1. Beachten Sie, in welche Richtung der Achshebel gedreht werden muss, um die richtige Ausrichtung zu erzielen.
2. Öffnen Sie den Achshebel in der Gabel.
3. Während Sie den Schnellspannhebel geöffnet und festhalten, sodass er sich nicht drehen kann, verwenden Sie einen 4-mm-Inbusschlüssel in der Mitte des Endes der Achse, um die Hebelposition einzustellen. Wenn der 4-mm-Einsteller ordnungsgemäß eingestellt ist, sollten Sie spüren, dass die Achse unter Spannung gesetzt wird, wenn sich der Schnellspannhebel 90 Grad vor dem vollständigen Schließen in der vertikalen Position befindet.
4. Wiederholen Sie die Schritte zum Einbau der Achse, um den ordnungsgemäßen Einbau und die korrekte Einstellung zu überprüfen.

EINBAU VON KABOLT-ACHSEN (AX-, 32-, 34- UND 36-RHYTHM-GABELN)

Das Verfahren zum Einbau des Laufrads der 15x100-mm-, 15x110-mm- und 12x100-mm-Kabolt-Achsen ist dasselbe.

WICHTIG: Die Kabolt-Achse für die 2022er 32- und 34-Gabeln sowie die 2021er 36-Rhythm-Gabel ist nicht mit den 2022er 36- und 38-Gabeln kompatibel.

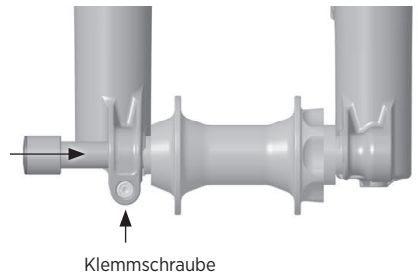
1. Setzen Sie das Vorderrad in die Ausfallenden der Gabel ein. Schieben Sie die Kabolt-Achse durch das Ausfallende auf der Nicht-Antriebsseite und die Nabe.
2. Ziehen Sie die **Kabolt**-Achse (im Uhrzeigersinn) mit einem 6-mm-Inbusschlüssel (5 mm für AX-Gabeln) auf die in den Kopf der Achse eingezätzte Drehmomentspezifikation an.



EINBAU VON KABOLTX-ACHSEN (36- UND 38-GABELN)

WICHTIG: Die KaboltX-Achse ist nur mit den 2021+er 36- und 38-Gabeln kompatibel.

1. Lösen Sie die Klemmschraube und setzen Sie das Vorderrad in die Ausfallenden der Gabel ein. Schieben Sie die KaboltX-Achse durch das Ausfallende auf der Antriebsseite und die Nabe.
2. Ziehen Sie die KaboltX-Achse mit einem 6-mm-Inbusschlüssel im Uhrzeigersinn auf die in den Kopf der Achse eingezätzte Drehmomentspezifikation an.
3. Lassen Sie die Gabel einige Male einfedern, um sicherzustellen, dass sich das untere Gabelbein am niedrigsten Reibungspunkt befindet.
4. Ziehen Sie die Klemmschraube am Ausfallende auf der Antriebsseite mit 5,1 N-m (45 in-lb) an.



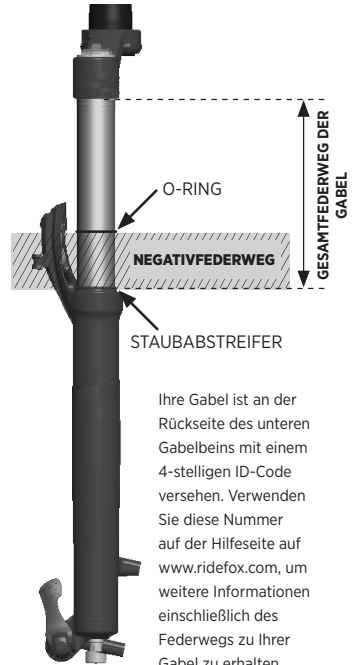
EINSTELLEN DER NACHGIEBIGKEIT

Um mit Ihrer FOX-Federung eine optimale Leistung zu erzielen, passen Sie den Luftdruck an, um die Nachgiebigkeit wie erforderlich einzustellen. Die Nachgiebigkeit ist der Weg, um den Ihre Federung durch Ihr Körpergewicht und die Fahrradkleidung einfedert. Die Nachgiebigkeit sollte auf 15 bis 20 % des Gesamtfederwegs der Gabel eingestellt werden.

LUFTFEDERGABELN

1. Stellen Sie sicher, dass sich beim Einstellen der Nachgiebigkeit jegliche Druckstufeneinsteller im OFFENEN Modus befinden, d. h. bis zum Anschlag gegen den Uhrzeigersinn gedreht sind (siehe Abschnitt „Druckstufeneinstellung“).
2. Lösen Sie die blaue Luftabdeckkappe auf der Oberseite des Gabelbeins auf der Nicht-Antriebsseite, um das Schraderventil freizulegen.
3. Setzen Sie eine FOX-Hochdruckpumpe auf das Schraderventil auf.
4. Pumpen Sie Ihre Gabel auf den Druck auf, der in der Tabelle „Empfohlene Ausgangspunkte zum Einstellen der Nachgiebigkeit“ auf der nächsten Seite angegeben ist, und entfernen Sie dann die Pumpe.
5. Schieben Sie den O-Ring nach unten gegen den Staubabstreifer der Gabel (oder bringen Sie vorübergehend einen Kabelbinder am Standrohr an).
6. Setzen Sie sich in Ihrer normalen Fahrposition auf das Fahrrad, und stützen Sie sich an einer Wand oder einem Baum ab. Legen Sie Ihre normale Fahrradkleidung einschließlich eines gefüllten Trinkbeutels an, wenn Sie einen verwenden.
7. Steigen Sie vom Fahrrad ab, ohne es einfedern zu lassen.
8. Messen Sie den Abstand zwischen dem Staubabstreifer und dem O-Ring (oder Kabelbinder). Dieses Maß ist die Nachgiebigkeit. Die empfohlenen Nachgiebigkeitswerte sind in der Tabelle auf der nächsten Seite aufgeführt.
9. Erhöhen oder reduzieren Sie den Luftdruck, bis Sie den gewünschten Nachgiebigkeitswert erreicht haben. Wiederholen Sie die Schritte 5 bis 10 nach Bedarf.
10. Wenn der Nachgiebigkeitswert korrekt ist, drehen Sie die blaue Luftabdeckkappe im Uhrzeigersinn, um sie wieder festzuziehen.

Wenn Sie die gewünschte Nachgiebigkeit nicht erzielen können, müssen Sie möglicherweise eine interne Einstellung vornehmen. Siehe Abschnitt „Luftfeder-Volumendistanzstück“.



⚠️ WARNUNG

Überschreiten Sie nicht den maximalen Luftdruck:

- Der maximale empfohlene Luftdruck für die 32 FLOAT, AX und Rhythm beträgt 9,6 bar (140 psi).
- Der maximale empfohlene Luftdruck für die 34 FLOAT, AWL und Rhythm beträgt 8,3 bar (120 psi).
- Der maximale empfohlene Luftdruck für die 36 FLOAT beträgt 8,3 bar (120 psi).
- Der maximale empfohlene Luftdruck für die 38 FLOAT beträgt 9,6 bar (140 psi).
- Der maximale empfohlene Luftdruck für die 40 FLOAT beträgt 8,3 bar (120 psi).

Der Mindestluftdruck beträgt:

2,8 bar (40 psi) für alle FLOAT- und Rhythm-Gabeln.

Der Druck ist bei einer Umgebungstemperatur von 21 bis 24 °C (70 bis 75 °F) zu messen. Der normale Betriebstemperaturbereich für FOX-Produkte beträgt -7 bis 60 °C (20 bis 140 °F).

EINSTELLEN DER NACHGIEBIGKEIT (FORTSETZUNG)

Empfohlene Nachgiebigkeitswerte		
Federweg	15 % Nachgiebigkeit (Hart)	20 % Nachgiebigkeit (Weich)
40 mm (1,6 in)	6 mm (0,23 in)	8 mm (0,31 in)
50 mm (1,9 in)	7.5 mm (0,3 in)	10 mm (0,4 in)
100 mm (3,9 in)	15 mm (0,6 in)	20 mm (0,8 in)
110 mm (4,3 in)	17 mm (0,7 in)	22 mm (0,9 in)
120 mm (4,7 in)	18 mm (0,7 in)	24 mm (0,9 in)
130 mm (5,1 in)	20 mm (0,8 in)	26 mm (1,0 in)
140 mm (5,5 in)	21 mm (0,8 in)	28 mm (1,1 in)
150 mm (5,9 in)	23 mm (0,9 in)	30 mm (1,3 in)
160 mm (6,3 in)	24 mm (0,9 in)	32 mm (1,3 in)
170 mm (6,7 in)	26 mm (1,0 in)	34 mm (1,3 in)
180 mm (7,1 in)	27 mm (1,1 in)	36 mm (1,4 in)
190 mm (7,5 in)	29 mm (1,1 in)	38 mm (1,5 in)
203 mm (8 in)	30 mm (1,2 in)	41 mm (1,6 in)

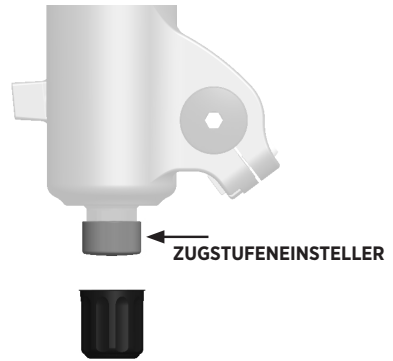
Empfohlene Ausgangspunkte für die Einstellung der Nachgiebigkeit (Druck)									
Fahrer- gewicht (kg)	Fahrer- gewicht (lbs)	32 FLOAT AX Druck (psi)	32 FLOAT, FLOAT SC, und Rhythm Druck (psi)	34 FLOAT SC, AWL, und Rhythm Druck (psi)	34 FLOAT Druck (psi)	36 FLOAT Druck (psi)	36 Rhythm Druck (psi)	38 FLOAT Druck (psi)	40 FLOAT Druck (psi)
54-59	120-130	75	65	58	64	66	55	72	52
59-64	130-140	80	70	63	69	70	59	76	58
64-68	140-150	85	74	68	74	74	63	80	64
68-73	150-160	91	80	72	78	78	67	84	68
73-77	160-170	96	85	77	83	82	72	89	72
77-82	170-180	101	90	82	88	86	76	93	76
82-86	180-190	106	96	86	92	89	80	97	80
86-91	190-200	111	101	91	97	94	85	102	84
91-95	200-210	116	106	96	102	99	89	106	87
95-100	210-220	122	111	100	106	105	93	110	90
100-104	220-230	127	117	105	111	109	97	114	94
104-109	230-240	132	122	110	116	113	102	119	97
109-113	240-250	137	126	114	120	117	106	123	101

EINSTELLEN DER ZUGSTUFE

Die Zugstufe legt die Geschwindigkeit fest, mit der die Gabel nach der Belastung ausfedert. Die Zugstufeneinstellung hängt von der Luftdruckeinstellung ab. Höhere Luftdrücke erfordern beispielsweise niedrigere Zugstufeneinstellungen. Bestimmen Sie Ihre Zugstufeneinstellung anhand des Luftdrucks.

Drehen Sie den Zugstufeneinsteller in die geschlossene Position, d. h. bis zum Anschlag im Uhrzeigersinn. Drehen Sie ihn dann um die in der untenstehenden Tabelle angegebene Anzahl Klicks gegen den Uhrzeigersinn. Stellen Sie die Zugstufe ein, bis die Gabel beim Testen schnell ausfedert, ohne jedoch nach oben durchzuschlagen.

Beim Durchschlagen federt die Gabel zu schnell aus und kommt abrupt zum Stillstand, wenn sie den vollen Ausfederweg erreicht hat (Sie hören/spüren einen leichten Schlag). Das Durchschlagen sollte durch eine ordnungsgemäße Zugstufeneinstellung vermieden werden.



Vorgeschlagene Startpunkte zur Einstellung der Zugstufe									
Gewicht des Fahrers (kg)	Gewicht des Fahrers (lbs)	All 32/34/36 FIT4	38 FLOAT FIT4	AX/32/34/36/38/40 GRIP	AWL RAIL	36/38 GRIP2		40 GRIP2	
						LSR	HSR	LSR	HSR
54-59	120-130	12	14	13	13	9	8	10	10
59-64	130-140	11	13	12	10	8	7	9	9
64-68	140-150	10	12	11	9	7	6	8	8
68-73	150-160	9	11	10	9	7	6	8	8
73-77	160-170	8	9	9	8	6	5	7	7
77-82	170-180	7	8	8	8	6	5	7	7
82-86	180-190	6	7	7	8	5	4	6	6
86-91	190-200	6	6	6	7	4	3	5	5
91-95	200-210	5	5	5	7	4	3	5	5
95-100	210-220	4	4	4	6	3	2	4	4
100-104	220-230	3	3	3	4	2	1	3	3
104-109	230-240	2	2	2	3	2	1	3	3
109-113	240-250	1	1	1	2	1	0	2	2

EINSTELLUNG DER DRUCKSTUFE

Die Einstellung der **Highspeed-Druckstufe** ermöglicht, das Federverhalten der Gabel bei stärkeren Stößen, Landungen nach Sprüngen und an rechteckigen Hindernissen zu steuern.

Die Einstellung der **Lowspeed-Druckstufe** ermöglicht, das Federverhalten der Gabel bei Verlagerungen des Fahrergewichts, beim Springen und bei langsamer Krafteinwirkung zu steuern.

DRUCKSTUFENEINSTELLER DER 36 UND 40 GRIP2

FOX empfiehlt, die Highspeed-Druckstufe als Ausgangspunkt für die Abstimmung jeweils auf 10 Klicks (gegen den Uhrzeigersinn) von der geschlossenen Position (bis zum Anschlag im Uhrzeigersinn) einzustellen.

FOX empfiehlt, die Lowspeed-Druckstufe als Ausgangspunkt für die Abstimmung jeweils auf 6 Klicks (gegen den Uhrzeigersinn) von der geschlossenen Position (bis zum Anschlag im Uhrzeigersinn) einzustellen.



Highspeed-Druckstufe



Lowspeed-Druckstufe

DRUCKSTUFENEINSTELLER DER 40 GRIP

FOX empfiehlt, die Lowspeed-Druckstufe als Ausgangspunkt für die Abstimmung auf 4 Klicks (gegen den Uhrzeigersinn) von der geschlossenen Position (bis zum Anschlag im Uhrzeigersinn) einzustellen.



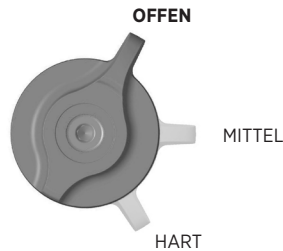
Lowspeed-Druckstufe

DRUCKSTUFENEINSTELLER DER 32, 34, 36 FIT4

3-WEGE-HEBEL

Der **3-Wege-Hebel** ermöglicht, schnelle Anpassungen vorzunehmen, um das Federverhalten der Gabel bei Veränderungen des Geländes anzupassen. Er ist für Einstellungen während der Fahrt vorgesehen.

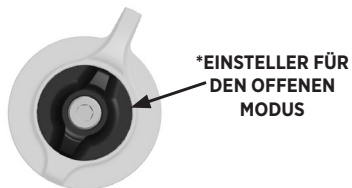
Verwenden Sie den OFFENEN Modus bei rauen Abfahrten, den MITTLEREN Modus bei unebenem Gelände und den HARTEN Modus zum effizienten Klettern. Stellen Sie den 3-Wege-Hebel zunächst auf den OFFENEN Modus ein.



*EINSTELLER FÜR DEN OFFENEN MODUS

Der ***Einsteller für den OFFENEN Modus** ermöglicht, das Federverhalten der Gabel bei Verlagerungen des Fahrergewichts, beim Springen und bei langsamer Krafteinwirkung zu steuern. Der Einsteller für den OFFENEN Modus bietet 18 zusätzliche Feineinstellungen für den OFFENEN Modus.

Einstellung 18 ist das weichste Fahrverhalten, Einstellung 1 das härteste. Stellen Sie den Einsteller für den OFFENEN Modus als Ausgangspunkt für die Abstimmung auf 18 Klicks gegen den Uhrzeigersinn (bis zum Anschlag) ein.



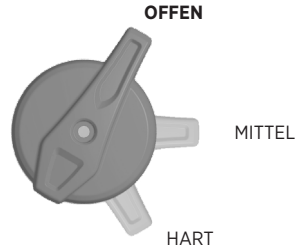
*Nur Gabeln der Factory- und Performance Elite-Serie

GRIP-DRUCKSTUFENEINSTELLER

3-Wege-Hebel mit Feinverstellung: Der 3-Wege-Hebel ermöglicht, schnelle Anpassungen vorzunehmen, um das Federverhalten der Gabel bei Veränderungen des Geländes anzupassen. Er ist für Einstellungen während der Fahrt vorgesehen.

Im OFFENEN Modus ist die Druckstufendämpfung am geringsten, sodass sich die Gabel weicher anfühlt. Der MITTLERE Modus verfügt über eine Rasterung, sodass Sie den mittleren Punkt schnell finden. Verwenden Sie den HARTEN Modus, wenn die Gabel sich steifer anfühlen soll und wenn Sie auf weichem Untergrund fahren. Die Hebelpositionen zwischen dem OFFENEN, MITTLEREN und HARTEN Modus ermöglichen die Feinabstimmung der Druckstufendämpfung.

FOX empfiehlt, den 3-Wege-Hebel zunächst auf den OFFENEN Modus einzustellen.



2-Wege-Sweep-Einsteller (nur AWL und Rhythm-Gabeln):

Der 2-Wege-Hebel ermöglicht, schnelle Anpassungen vorzunehmen, um das Federverhalten der Gabel bei Veränderungen des Geländes anzupassen. Er ist für Einstellungen während der Fahrt vorgesehen. Im OFFENEN Modus ist die Druckstufendämpfung am geringsten, sodass sich die Gabel weicher anfühlt. Verwenden Sie den HARTEN Modus, wenn die Gabel sich steifer anfühlen soll und wenn Sie auf weichem Untergrund fahren. Die Hebelpositionen zwischen dem OFFENEN und HARTEN Modus ermöglichen die Feinabstimmung der Druckstufendämpfung.

FOX empfiehlt, den 2-Wege-Hebel zunächst auf den OFFENEN Modus einzustellen.

ÜBERPRÜFUNG DES REIFENABSTANDS

⚠️ WARNUNG

Wenn ein Schutzblech oder Schmutzfänger vorgesehen ist, sollte es/er montiert sein, während der Reifenabstand überprüft wird.

1. Lassen Sie den gesamten Druck aus der Gabel ab, indem Sie das Schrader-Ventil öffnen.

⚠️ WARNUNG

FOX-Gabeln können hohe Luftdrücke enthalten. Lassen Sie vor dem Zerlegen den **GESAMTEN** Luftdruck aus der Hauptluftkammer ab. Andernfalls können Teile oder Flüssigkeiten aus der Gabel herausgeschleudert werden, was zu **SCHWEREN ODER TÖDLICHEN VERLETZUNGEN** führen kann.

2. Lassen Sie die Gabel vollständig einfedern.
3. Messen Sie den Abstand zwischen den Seiten des aufgepumpten Reifens und dem Schutzblech/Schmutzfänger, dem Gabelkopf, der Gabelbrücke und dem Gabelschaft. Der Freiraum muss um den gesamten Reifen herum **MINDESTENS 8,5 mm** betragen.

⚠️ WARNUNG

Wenn zwischen den Seiten des aufgepumpten Reifens und dem Schutzblech/Schmutzfänger, dem Gabelkopf, der Gabelbrücke und dem Gabelschaft kein Freiraum von mindestens 8,5 mm vorhanden ist, kann der Reifen bei vollständig eingefederter Gabel den Gabelkopf berühren, was zu **SCHWEREN ODER TÖDLICHEN VERLETZUNGEN** führen kann.

4. Erhöhen Sie den Luftdruck mit einer FOX-Hochdruckpumpe auf die gewünschte Einstellung (siehe Abschnitt „Einstellen der Nachgiebigkeit“).
5. Sie müssen diese Prüfung **JEDES MAL** wiederholen, wenn Sie Reifen oder Felgen wechseln.



LUFTFEDER-VOLUMENDISTANZSTÜCKE (NUR FLOAT- UND RHYTHM-GABELN)

Volumendistanzstücke ermöglichen bei FOX FLOAT- und Rhythm-Gabeln eine einfache interne Anpassung, mit der Sie den Federweg im mittleren Bereich und den Durchschlagswiderstand abstimmen können. Wenn Sie die Nachgiebigkeit richtig eingestellt haben und der gesamte Federweg (Durchschlagen) zu einfach erreicht wird, können Sie ein oder mehrere Distanzstücke installieren, um den Durchschlagswiderstand zu erhöhen. Wenn der gesamte Federweg nicht erreicht wird, können Sie ein oder mehrere Distanzstücke entfernen, um den Durchschlagswiderstand zu verringern.

Bitte beachten: Bei einigen 32 FLOAT-Gabeln ist ab Werk ein hohles Volumendistanzstück installiert. Sie können dem hohlen Volumendistanzstück blaue Standard-32-mm-Volumendistanzstücke hinzufügen, um bei Bedarf das Luftvolumen weiter zu reduzieren.

LUFTFEDER-VOLUMENDISTANZSTÜCKE, FORTSETZUNG

- Entfernen Sie die Luftventilkappe.
- Lassen Sie den gesamten Druck aus der Gabel ab, indem Sie das Schrader-Ventil öffnen.

WARNUNG

FOX-Gabeln können hohe Luftdrücke enthalten. Lassen Sie vor dem Zerlegen den gesamten Luftdruck aus der Hauptluftkammer ab. Andernfalls können Teile oder Flüssigkeiten aus der Gabel herausgeschleudert werden, was zu SCHWEREN ODER TÖDLICHEN VERLETZUNGEN führen kann.

- Nur für 40-Gabeln:** Lösen Sie die Klemmschraube an der Luftseite des oberen Gabelkopfes mit einem 5-mm-Inbusschlüssel.
- Lösen Sie die Abdeckkappe vorsichtig mit einer planen 26-mm-Sechskantnuss (verwenden Sie für 36-, 38- und 40-Gabeln eine plane 32-mm-Sechskantnuss und für AX-Gabeln ein Park Tool FR-5 oder FR-5.2 Kassettenwerkzeug).
- Ziehen Sie die Stecknuss nach oben, um die Abdeckkappen-Baugruppe vom Gabelkopf abzuheben.
- Verschieben Sie das bzw. die Volumendistanzstück(e) in horizontaler Richtung, um sie an der Abdeckkappe zu montieren oder davon zu entfernen.

WARNUNG

*Überschreiten Sie nicht die maximale Anzahl von Volumen-Distanzstücken wie in den obenstehenden Tabellen angegeben. Dies könnte die Gabel beschädigen.

- Setzen Sie die Abdeckkappen-Baugruppe wieder in den Gabelkopf ein und ziehen Sie sie mit einer planen 26-mm-Sechskantnuss auf 24,8 N-m (220 in-lb) an (verwenden Sie für 36-, 38- und 40-Gabeln eine plane 32-mm-Sechskantnuss und für AX-Gabeln ein Park Tool FR-5 oder FR-5.2 Kassettenwerkzeug). **Nur für 40-Gabeln:** Ziehen Sie die Klemmschraube an der Luftseite des oberen Gabelkopfes mit einem 5-mm-Inbusschlüssel mit 7,3 N-m (65 in-lb) fest.
- Erhöhen Sie den Luftdruck mit einer FOX-Hochdruckpumpe auf die gewünschte Einstellung (siehe Abschnitt „Einstellen der Nachgiebigkeit“).

Konfigurationen für 32 AX-Volumendistanzstücke

Federweg	Ab Werk installierte Volumendistanzstücke	*Max. Anzahl Volumendistanzstücke
50 mm	1	4
40 mm	2	4

Konfigurationen für 32-Step-Cast-Volumendistanzstücke

Federweg	Ab Werk installierte Volumendistanzstücke	*Max. Anzahl Volumendistanzstücke
100 mm	1	4
80 mm	2	4

Konfigurationen für 32 (29) Rhythm QR9-Volumendistanzstücke

Federweg	Ab Werk installierte Volumendistanzstücke	*Max. Anzahl Volumendistanzstücke
120 mm	2	6
110 mm	3	6
100 mm	4	7
80 mm	5	8

Konfigurationen für 32 (27.5) Rhythm und 32 (29) Rhythm 15x110-Volumendistanzstücke

Federweg	Ab Werk installierte Volumendistanzstücke	*Max. Anzahl Volumendistanzstücke
120 mm	0	4
110 mm	0	4
100 mm	1	5
80 mm	2	6

LUFTFEDER-VOLUMENDISTANZSTÜCKE, FORTSETZUNG

Konfigurationen für 34 FLOAT-Volumendistanzstücke		
Federweg	Ab Werk installierte Volumendistanzstücke	*Max. Anzahl Volumendistanzstücke
140 mm	1	5
130 mm	2	5
120 mm	3	6

Konfigurationen für 34-Step-Cast-Volumendistanzstücke		
Federweg	Ab Werk installierte Volumendistanzstücke	*Max. Anzahl Volumendistanzstücke
120 mm	1	4
110 mm	2	4
100 mm	3	5

Konfigurationen für 34 Rhythm-Volumendistanzstücke		
Federweg	Ab Werk installierte Volumendistanzstücke	*Max. Anzahl Volumendistanzstücke
150 mm	0	4
140 mm	0	4
130 mm	1	5
120 mm	2	5

Konfigurationen für 34 E-Bike+-Volumendistanzstücke		
Federweg	Ab Werk installierte Volumendistanzstücke	*Max. Anzahl Volumendistanzstücke
150 mm	2	5
140 mm	3	5
130 mm	4	6
120 mm	4	7

Konfigurationen für 36 FLOAT-Volumendistanzstücke		
Federweg	Ab Werk installierte Volumendistanzstücke	*Max. Anzahl Volumendistanzstücke
170 mm	0	5
160 mm	1	6
150 mm	2	7
140 mm	4	8
130 mm	5	9

Konfigurationen für 36 FLOAT E-BIKE+-Volumendistanzstücke		
Federweg	Ab Werk installierte Volumendistanzstücke	*Max. Anzahl Volumendistanzstücke
160 mm	3	6
150 mm	4	7
140 mm	4	8
130 mm	5	9

Konfigurationen für AWL-Volumendistanzstücke		
Federweg	Ab Werk installierte Volumendistanzstücke	*Max. Anzahl Volumendistanzstücke
140 mm	0	4
130 mm	1	5
120 mm	2	5
110 mm	3	6
100 mm	4	6

LUFTFEDER-VOLUMENDISTANZSTÜCKE, FORTSETZUNG

Konfigurationen für 38 FLOAT-Volumendistanzstücke		
Federweg	Ab Werk installierte Volumendistanzstücke	*Max. Anzahl Volumendistanzstücke
180 mm	1	4
170 mm	2	5
160 mm	3	6
150 mm	4	6

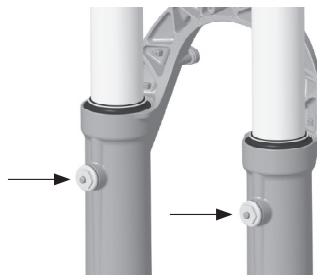
Konfigurationen für 38 FLOAT E-BIKE+-Volumendistanzstücke		
Federweg	Ab Werk installierte Volumendistanzstücke	*Max. Anzahl Volumendistanzstücke
180 mm	2	4
170 mm	3	5
160 mm	4	6
150 mm	5	6

Konfigurationen für 40 FLOAT-Volumendistanzstücke		
Federweg	Ab Werk installierte Volumendistanzstücke	*Max. Anzahl Volumendistanzstücke
203 mm	2	5
190 mm	3	7

LUFTBLASSKNOPF/ENTLÜFTER FÜR UNTERES GABELBEIN (36-, 38- UND 40-GABELN)

Der Luftablassknopf an der Rückseite jedes Gabelbeins ermöglicht, aufgestauten Luftdruck abzulassen, um eine optimale Leistung zu erzielen. Halten Sie die Knöpfe bei aufrecht ausgerichteter Gabel jeweils 5 bis 10 Sekunden lang gedrückt.

WICHTIG: Möglicherweise tritt während der Betätigung etwas Öl aus den Entlüftern aus. Dies ist normal.



MONTAGE DER FERNBEDIENUNG

Die Fernbedienung kann wahlweise unter dem Lenker auf der Nicht-Antriebsseite (wo sich normalerweise der Umwerfer-Schalthebel befindet) oder über dem Lenker auf der Antriebsseite angebracht werden. Die Fernbedienung kann mit zwei Zügen verwendet werden, um die Gabel und den Dämpfer gleichzeitig zu steuern.

FIT4-DÄMPFER SPERRUNG DURCH HEBELDRUCK UND FREIGABE DURCH HEBELDRUCK

1. Montieren Sie den Fernbedienungshebel am Lenker. Ziehen Sie ihn nicht mit mehr als 1,7 N-m (15 in-lb) an. Für Carbon-Lenker ist möglicherweise ein geringeres Drehmoment erforderlich. Lesen Sie für Carbonlenker in der Bedienungsanleitung des Lenkerherstellers nach. Stellen Sie sicher, dass ausreichend Freiraum zwischen dem Fernbedienungshebel sowie Brems- und Schalthebeln besteht.
2. **Nur für Sperrung durch Hebeldruck-Gabeln:** Verlegen Sie die Zugaußenhülle vom Fernbedienungshebel nahe an der Rückseite des Gabelkopfes zum Zuganschlag der Gabelabdeckkappe und kürzen Sie sie auf die benötigte Länge. Bringen Sie eine Endkappe am Ende der Außenhülle der Fernbedienung an.
Nur für Freigabe durch Hebeldruck-Gabeln: Verlegen Sie die Zugaußenhülle vom Fernbedienungshebel über die Vorderseite des Gabelkopfes zum Zuganschlag der Gabelabdeckkappe und kürzen Sie sie auf die benötigte Länge. Bringen Sie Endkappen an beiden Enden der Zugaußenhülle an.
3. Drücken Sie den Freigabehebel, um den Fernbedienungshebel in den OFFENEN Modus zu schalten. Stellen Sie sicher, dass das Zugende fest im Fernbedienungshebel sitzt.
4. Bringen Sie ein kurzes Stück Außenhülle mit einer Endkappe zwischen dem Zugspannungs-Einsteller und dem Fernbedienungshebelkörper an.
5. Wenn alle Außenhüllen fest sitzen und das System nirgends durchhängt, schmieren Sie den Innenzug etwas und führen Sie ihn durch die Außenhülle und um die Umlenkrolle für die Gabelfernbedienung.
6. Ziehen Sie den Zug straff, ziehen Sie die Zugklemmschraube fest, schneiden Sie die überschüssige Zuglänge ab und bringen Sie eine Endkappe an.

GRIP-DÄMPFER (SPERRUNG DURCH HEBELDRUCK)

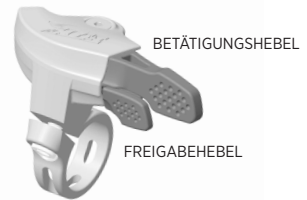
1. Montieren Sie den Fernbedienungshebel am Lenker. Ziehen Sie ihn mit maximal 1,7 N-m (15 in-lb) an. Für Carbon-Lenker ist möglicherweise ein geringeres Drehmoment erforderlich. Lesen Sie für Carbon-Lenker in der Bedienungsanleitung des Lenkerherstellers nach. Stellen Sie sicher, dass ausreichend Freiraum zwischen dem Fernbedienungshebel sowie Brems- und Schalthebeln besteht.
2. Verlegen Sie die Zugaußenhülle von der Gabelabdeckkappe nahe an der Rückseite des Gabelkopfes zum Fernbedienungshebel und kürzen Sie sie auf die benötigte Länge. Bringen Sie sowohl am Fernbedienungshebel als auch an der Gabelabdeckkappe eine Endkappe am Ende der Außenhülle an.
3. Bringen Sie ein kurzes Stück Außenhülle mit einer Endkappe zwischen dem Zugspannungs-Einsteller und dem Fernbedienungshebelkörper an.
4. Drücken Sie den größeren Fernbedienungshebel in seine betätigte Stellung, damit ist der HARTE Modus aktiviert. Stellen Sie sicher, dass das Zugende fest im Fernbedienungshebel sitzt.
5. Drehen Sie die Umlenkrolle der Fernbedienung mit einem 5-mm-Inbusschlüssel im Uhrzeigersinn auf etwa 0,56 N-m (5 in-lb). Halten Sie den 5-mm-Inbusschlüssel und die Umlenkrolle in dieser Position, und drücken Sie dann die Gabel nach unten, um zu sehen, ob die Auslösekraft Ihrer bevorzugten Einstellung entspricht. Verstellen Sie die Umlenkrolle im Uhrzeigersinn für mehr Kraft im HARTEN Modus, entgegen dem Uhrzeigersinn für weniger Kraft im HARTEN Modus, bis Sie Ihre bevorzugte Einstellung gefunden haben. Notieren Sie die Position der Stellschraube der Umlenkrolle für Ihre bevorzugte Einstellung.
6. Wenn alle Außenhüllen fest sitzen und das System nirgends durchhängt, schmieren Sie den Innenzug etwas und führen Sie ihn durch die Außenhülle und um die Umlenkrolle für die Gabelfernbedienung. Während Sie die Umlenkrolle der Fernbedienung weiterhin mit dem 5-mm-Inbusschlüssel in der Position für Ihre bevorzugte Kraft im HARTEN Modus halten (von Schritt 5), ziehen Sie die Klemmschraube auf ein Drehmoment von 1,13 N-m (10 in-lb) fest.
7. Entfernen Sie den 5-mm-Inbusschlüssel aus der Umlenkrolle der Fernbedienung. Testen Sie die Fernbetätigung, um sicherzustellen, dass sie ordnungsgemäß funktioniert. Schneiden Sie dann die überschüssige Länge des Innenzugs ab und bringen Sie eine Endkappe an.
8. Mit dem Zugspannungs-Einsteller können Sie die Auslösekraft zum Entsperren der Gabel einstellen. Durch Drehung des Zugeinstellers im Uhrzeigersinn wird die Auslösekraft zum Entsperren der Gabel erhöht, durch Drehung gegen den Uhrzeigersinn reduziert.

VERWENDUNG DER 2-WEGE-FERNBEDIENUNG

Mit der 2-Wege-Fernbedienung können Sie beim Fahren zwischen dem OFFENEN und dem HARTEN Modus umschalten.

Sperrung durch Hebeldruck: Drücken Sie den Betätigungshebel, um den HARTEN Modus zu aktivieren. Drücken Sie den Freigabehebel, um den OFFENEN Modus zu aktivieren.

Freigabe durch Hebeldruck: Drücken Sie den Betätigungshebel, um den OFFENEN Modus zu aktivieren. Drücken Sie den Freigabehebel, um den HARTEN Modus zu aktivieren.



VERWENDUNG DER 3-WEGE-FERNBEDIENUNG

Mit der 3-Wege-Fernbedienung können Sie beim Fahren zwischen dem OFFENEN, MITTLEREN und HARTEN Modus umschalten.

Sperrung durch Hebeldruck: Drücken Sie den Betätigungshebel eine Rasterung nach unten, um den MITTLEREN Modus zu aktivieren. Drücken Sie den Betätigungshebel erneut in die unterste Position, um den HARTEN Modus zu aktivieren. Drücken Sie den Freigabehebel, um den OFFENEN Modus zu aktivieren.

Freigabe durch Hebeldruck: Drücken Sie den Betätigungshebel eine Rasterung nach unten, um den MITTLEREN Modus zu aktivieren. Drücken Sie den Betätigungshebel erneut in die unterste Position, um den OFFENEN Modus zu aktivieren. Drücken Sie den Freigabehebel, um den HARTEN Modus zu aktivieren.

GRIP-DÄMPFER FREIGABE DURCH HEBELDRUCK

1. Montieren Sie den Fernbedienungshebel am Lenker. Ziehen Sie ihn mit maximal 1,7 N-m (15 in-lb) an. Für Carbon-Lenker ist möglicherweise ein geringeres Drehmoment erforderlich. Lesen Sie für Carbon-Lenker in der Bedienungsanleitung des Lenkerherstellers nach. Stellen Sie sicher, dass ausreichend Freiraum zwischen dem Fernbedienungshebel sowie Brems- und Schalthebeln besteht.
2. Verlegen Sie die Zugaußenhülle von der Gabelabdeckkappe nahe an der Rückseite des Gabelkopfes zum Fernbedienungshebel und kürzen Sie sie auf die benötigte Länge. Bringen Sie sowohl am Fernbedienungshebel als auch an der Gabelabdeckkappe eine Endkappe am Ende der Außenhülle an.
3. Bringen Sie ein kurzes Stück Außenhülle mit einer Endkappe zwischen dem Zugspannungs-Einsteller und dem Fernbedienungshebelkörper an.
4. Belassen Sie den Betätigungshebel in seiner nicht betätigten Stellung, damit ist der HARTE Modus aktiviert. Stellen Sie sicher, dass das Zugende fest im Fernbedienungshebel sitzt.
5. Beachten Sie, dass der Push-to-Unlock-Dämpfer sich standardmäßig im HARTEN Modus befindet. Drücken Sie die Gabel nach unten, um zu sehen, ob die Auslösekraft im HARTEN Modus Ihrer bevorzugten Einstellung entspricht. Wenn ja, fahren Sie mit Schritt 6 fort. Wenn nicht, verstellen Sie mit einem 5-mm-Inbusschlüssel die Umlenkrolle ein wenig (im Uhrzeigersinn für mehr Kraft im HARTEN Modus, entgegen dem Uhrzeigersinn für weniger Kraft im HARTEN Modus), bis Sie Ihre bevorzugte Einstellung gefunden haben.
6. Wenn alle Außenhüllen fest sitzen und das System nirgends durchhängt, schmieren Sie den Innenzug etwas und führen Sie ihn durch die Außenhülle und um die Umlenkrolle für die Gabelfernbedienung. Bei Bedarf (siehe Schritt 5), halten Sie die Umlenkrolle der Fernbedienung weiterhin mit dem 5-mm-Inbusschlüssel in der Position für Ihre bevorzugte Kraft im HARTEN Modus, und ziehen Sie die Klemmschraube auf ein Drehmoment von 1,13 N-m (10 in-lb) fest.
7. Entfernen Sie den 5-mm-Inbusschlüssel aus der Umlenkrolle der Fernbedienung. Testen Sie die Fernbetätigung, um sicherzustellen, dass sie ordnungsgemäß funktioniert. Schneiden Sie die überschüssige Länge des Innenzugs ab und bringen Sie eine Endkappe an.
8. Mit dem Zugspannungs-Einsteller können Sie die Auslösekraft zum Entsperren der Gabel einstellen. Durch Drehung des Zugeinstellers im Uhrzeigersinn wird die Auslösekraft zum Entsperren der Gabel reduziert, durch Drehung gegen den Uhrzeigersinn erhöht.

WARTUNG

Die ordnungsgemäße Reinigung Ihres FOX-Produkts zwischen den Fahrten und die regelmäßige Wartung tragen dazu bei, die Reparaturkosten zu senken und die Haltbarkeit des Produkts zu verlängern.

Weitere Informationen zu Wartungsverfahren finden Sie unter www.ridefox.com/OwnersManuals, oder erkundigen Sie sich bei FOX nach unserem Wartungsservice (**1.800.369.7469** oder mtbservice@ridefox.com).

Minimal empfohlene Wartungsmaßnahmen	Vor jeder Fahrt	Nach jeder Fahrt	Regelmäßig	Alle 125 Stunden oder jährlich (der frühere Zeitpunkt gilt)*
Überprüfen Sie sorgfältig das Äußere der Gabel/des Dämpfers. Wenn Sie Beschädigungen feststellen, dürfen Sie die Gabel/den Dämpfer nicht benutzen. Wenden Sie sich zur Reparatur an Ihren Händler oder an FOX.	X			
Stellen Sie sicher, dass die Schnellspannhebel und Achsen ordnungsgemäß eingestellt und angezogen sind.	X			
Überprüfen Sie die Einstellung des Steuersatzes. Wenn der Steuersatz sich gelöst hat, ziehen Sie ihn gemäß den Herstelleranweisungen fest.	X			
Vergewissern Sie sich, dass alle Bremszüge bzw. -leitungen ordnungsgemäß befestigt sind. Überprüfen Sie die ordnungsgemäße Funktion der Vorder- und Hinterbremse auf ebener Strecke.	X			
Reinigen Sie die Komponenten von außen nur mit milder Seife und Wasser; trocknen Sie sie dann mit einem trockenen, weichen Tuch ab. Verwenden Sie keinen Hochdruckreiniger und sprühen Sie kein Wasser direkt auf den Übergang zwischen Dichtung und Dämpferkörper.		X		
Überprüfen Sie die Nachgiebigkeits- und Dämpfereinstellungen. Überprüfen Sie die Bedienelemente auf sichtbare Schäden und ordnungsgemäße Funktion.			X	
Vollständige Wartung (vollständige innere/äußere Inspektion, Dämpferüberholung, Austausch von Luftdichtungen bei Luftgabeln, Luftfederüberholung, Ölwechsel und Erneuerung der Staubabstreifer).				X

*Für liftgestütztes Downhill, Downhill-Parks oder Extreme Freeride sowie bei extrem feuchten/schlammigen oder trockenen/staubigen Fahrbedingungen, wenn Schlamm und Staub während der Fahrt gegen den Dämpfer spritzen, empfiehlt FOX, die Wartung in kürzeren Abständen als oben aufgeführt durchzuführen. Wenn Sie etwas Ungewöhnliches hören, sehen oder spüren, steigen Sie sofort vom Fahrrad und wenden Sie sich an ein zugelassenes FOX Service-Center, um Ihre Gabel warten zu lassen.

WEITERE INFORMATIONEN UND VIDEOS:

ridefox.com

FOX Factory, Inc., eine Corporation des Staates Kalifornien mit Sitz in 915 Disc Dr, Scotts Valley, CA 95066 („Fox“), gewährt auf seine Federungsprodukte die folgende EINGESCHRÄNKTE GEWÄHRLEISTUNG:

EINGESCHRÄNKTE GEWÄHRLEISTUNG VON FOX

EINGESCHRÄNKTE EIN (1)-JÄHRIGE GEWÄHRLEISTUNG AUF FEDERUNGSPRODUKTE

Gemäß den hier dargelegten Beschränkungen und Bestimmungen gewährleistet Fox gegenüber dem Originalkäufer jedes neuen Fox-Federungsprodukts, dass das Fox-Federungsprodukt im Neuzustand frei von Material- und Herstellungsfehlern ist. Der Garantiezeitraum endet ein (1) Jahr nach dem Datum des Kaufs des Original-Fox-Federungsprodukts im Einzelhandel bei einem zugelassenen Fox-Händler oder einem von Fox zugelassenen Originalhersteller, wenn die Fox-Federung als Originalausstattung an einem gekauften Fahrrad erworben wird.

GARANTIEBEDINGUNGEN

Diese eingeschränkte Gewährleistung gilt für das Fox-Federungsprodukt, sofern es unter normalen Bedingungen und wie von Fox vorgeschrieben ordnungsgemäß gewartet wird. Diese eingeschränkte Gewährleistung gilt nur für Fox-Federungsprodukte, die neu von einem zugelassenen Fox-Händler gekauft wurden, und wird nur dem Erstkäufer (Verbraucher) des neuen Fox-Federungsprodukts gewährt. Sie ist nicht auf nachfolgende Besitzer übertragbar.

Sollte durch Fox nach seinem alleinigen und endgültigen Ermessen festgestellt werden, dass ein Fox-Federungsprodukt von dieser eingeschränkten Gewährleistung gedeckt ist, wird es nach alleiniger, endgültiger und verbindlicher Entscheidung von Fox repariert oder durch ein vergleichbares Modell ersetzt. WEITERGEHENDE ANSPRÜCHE GEMÄSS DIESER EINGESCHRÄNKTEN GEWÄHRLEISTUNG SIND AUSGESCHLOSSEN. JEDLICHE SONSTIGEN ANSPRÜCHE UND SCHADENERSATZFORDERUNGEN, DIE GEMÄSS DIESER EINGESCHRÄNKTEN GEWÄHRLEISTUNG SONSTIG ANWENDBAR SEIN KÖNNEN, WERDEN AUSGESCHLOSSEN, EINSCHLIESSLICH, JEDOCH NICHT BESCHRÄNKT AUF DIE HAFTUNG FÜR ZUFÄLLIGE ODER FOLGESCHÄDEN SOWIE BUSSGELDER.

Diese eingeschränkte Gewährleistung gilt nicht für Schäden infolge von normalem Verschleiß sowie Fehlfunktionen oder Ausfälle, die infolge von Missbrauch, fehlerhafter Montage, Fahrlässigkeit, Veränderungen, unsachgemäßer Wartung, Unfällen, unsachgemäßem Gebrauch oder Kollisionen entstehen.

Diese eingeschränkte Gewährleistung räumt dem Kunden spezifische Rechte ein. Dem Kunden stehen gemäß nationalen Gesetzen möglicherweise Rechte zu, die von dieser eingeschränkten Gewährleistung nicht betroffen sind. Wenn ein zuständiges Gericht aus jeglichem Grund eine Bestimmung dieser eingeschränkten Gewährleistung als unwirksam erachtet, wirkt sich dies nicht auf die anderen Bestimmungen dieser eingeschränkten Gewährleistung aus, und sämtliche anderen Bestimmungen bleiben wirksam.

DIES IST DIE EINZIGE GEWÄHRLEISTUNG, DIE FOX AUF SEINE FEDERUNGSPRODUKTE UND -KOMPONENTEN GEWÄHRT. JEDLICHE GARANTIE, DIE ÜBER DIE HIER BESCHRIEBENEN HINAUSGEHEN, WERDEN AUSGESCHLOSSEN. JEDLICHE KONKLUDENTEN GESETZLICHEN GARANTIE, INSBESONDERE JEDLICHE KONKLUDENTE GEWÄHRLEISTUNG DER MARKTGÄNGIGKEIT ODER EIGNUNG FÜR EINEN BESTIMMTEN ZWECK, WERDEN AUSGESCHLOSSEN.

Diese eingeschränkte Gewährleistung unterliegt ausschließlich der Gesetzgebung des US-Bundesstaates Kalifornien.

Um einen Garantieanspruch im Rahmen dieser eingeschränkten Gewährleistung geltend zu machen, müssen Sie Folgendes in einem zugelassenen FOX Service-Center vorlegen bzw. an ein zugelassenes FOX Service-Center senden:

1. Das Produkt (oder das betroffene Teil) und
2. Eine Kopie des Originalkaufbelegs, auf welcher der Name und die Anschrift des Verkäufers, der Kaufort und das Kaufdatum, die Produktteilenummer und gegebenenfalls eine Seriennummer angegeben sind. Wenn FOX Produkte als Teil eines kompletten Fahrrads verkauft werden, sind die Marke des Fahrrads, das Modell, das Modelljahr und die Seriennummer anzugeben.

¡ENHORABUENA!

Gracias por elegir un producto de suspensión FOX para su bicicleta. Todas las suspensiones FOX han sido diseñadas, probadas y fabricadas por los mejores profesionales del sector, en el condado de Santa Cruz, California, EE. UU.

Para una adecuada instalación, utilización y mantenimiento de su nuevo producto FOX, siga las instrucciones y recomendaciones que se ofrecen en esta guía del usuario.

Si necesita información adicional, puede obtenerla a través de Internet en nuestra dirección <http://www.ridefox.com/OwnersManuals>, o bien llamando al teléfono de FOX US 1.800.369.7469, mediante el correo electrónico mtbserve@ridefox.com o contactando con alguno de los centros de servicio técnico autorizados de los que FOX dispone en diversos países, cuyos datos se detallan en la página <http://www.ridefox.com/GlobalDistributors>. Si no dispone de acceso a Internet, contacte con FOX para solicitar gratuitamente una copia impresa del manual de usuario completo de FOX disponible en Internet.

⚠ AVISO E INFORMACIÓN PARA SU SEGURIDAD

Los productos FOX deben ser instalados por un técnico de bicicletas cualificado, siguiendo las especificaciones de instalación de FOX. Una horquilla mal instalada puede fallar, provocando la pérdida de control de la bicicleta, lo que puede ocasionar LESIONES GRAVES O INCLUSO MORTALES.

La modificación o alteración de productos FOX puede provocar el fallo del producto y ocasionar LESIONES GRAVES O LA MUERTE. No modifique ni altere nunca NINGUNA pieza de un producto FOX (ya sean los muelles helicoidales, la cruceta del brazo inferior, la corona, el tubo de dirección, los tubos superiores, el brazo inferior, la lata de aire, la tija del sillín, los espaciadores de volumen de aire, las piezas internas, las cuñas metálicas adaptadoras para el eje, los adaptadores de eje o cualquier otra pieza).

Los productos de suspensión para bicicletas FOX pueden utilizarse también en bicicletas eléctricas de Clase 1 (según la denominación estadounidense) y L1e-A (según denominación europea).

Los productos de suspensión FOX E-BIKE+ pueden utilizarse en bicicletas eléctricas de Clase 3 (según la denominación estadounidense) y L1e-B (según denominación europea).

NO UTILICE ninguna horquilla FOX 32 AX, FLOAT de 32 mm, Step-Cast de 32 mm, o Step-Cast de 34 mm en ningún vehículo a motor o bicicleta motorizada con pedaleo asistido cuya velocidad máxima en modo asistido supere los 32 km/h (20 mph) o cuyo peso máximo de sistema sea superior a 121 Kg (266 lb).

NO UTILICE ningún producto de suspensión para bicicletas FOX en ningún vehículo a motor o bicicleta motorizada con pedaleo asistido cuya velocidad máxima en modo asistido supere los 32 km/h (20 mph) o cuyo peso máximo de sistema sea superior a 140 Kg (308 lb).

NO UTILICE ningún producto de suspensión FOX E-BIKE+ en ningún vehículo a motor o bicicleta motorizada con pedaleo asistido cuya velocidad máxima en modo asistido supere los 45 km/h (28 mph) o cuyo peso máximo de sistema sea superior a 169 Kg (372 lb). NO utilice ningún producto de suspensión para bicicletas FOX en vehículos motorizados equipados con acelerador.

Un uso indebido de los productos de suspensión de FOX puede provocar averías en la suspensión que ocasionen daños materiales o, con lesiones GRAVES O INCLUSO MORTALES, además de ser causa de anulación de la garantía.

NO utilice los productos de suspensión para bicicletas FOX en vehículos que transporten a más de una persona, como una bicicleta tándem o una bicicleta de uso pesado.

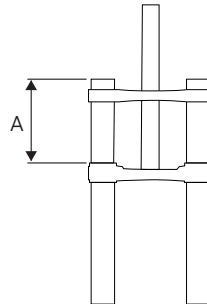
No retire ni vuelva a colocar el tubo de dirección. Podría provocar la pérdida de control de la bicicleta y ocasionar LESIONES GRAVES o incluso MORTALES.

No intente extraer ni sustituir el tubo de dirección o los tubos superiores por separado de la corona. Modificar piezas integradas como la corona, el tubo de dirección de la horquilla o los tubos superiores puede dar lugar a un fallo de todo el conjunto que ocasione la pérdida de control de la bicicleta, provocando LESIONES GRAVES O INCLUSO MORTALES.

No corte el tubo de dirección más de tres (3) mm por debajo de la pieza instalada más arriba. Si por error corta demasiado el tubo de dirección, DEBERÁ SUSTITUIR el conjunto corona/tubo

de dirección/tubo superior. Si la longitud del área de acoplo entre la horquilla y el tubo de la potencia es insuficiente, la horquilla podría sufrir un fallo súbito que ocasione la pérdida de control de la bicicleta, provocando LESIONES GRAVES E INCLUSO MORTALES.

La posición del tubo superior de 40 mm de las horquillas FOX de 27,5 y 29 pulgadas viene ajustada de fábrica para salvar con seguridad un neumático de 2,50 pulgadas con la suspensión comprimida a tope. La posición normal desde el "punto más alto de la corona" hasta el "punto más alto del tubo superior" es de 137,5 mm (A). No aumente nunca la medida desde el "punto más alto de la corona" hasta el "punto más alto del tubo superior" por encima de los 137,00 mm. Cualquier posición del tubo superior que supere esos 137,00 mm puede reducir el espacio entre corona y neumático y ocasionar la pérdida de control de la bicicleta, con consecuencias GRAVES O INCLUSO MORTALES para el ciclista.



No reduzca nunca la medida desde el "punto más alto de la corona" hasta el "punto más alto del tubo superior" por debajo de los 127 mm (A). Cualquier posición del tubo superior que sea inferior a esos 127 mm puede provocar el fallo del producto, con consecuencias GRAVES o INCLUSO MORTALES para el ciclista.

No instale nunca el guardabarros FOX 40 sin antes ajustar la posición desde el "punto más alto de la corona" hasta el "punto más alto del tubo superior" a un máximo de 132 mm (A). La posición desde el "punto más alto de la corona" hasta el "punto más alto del tubo superior" de la horquilla FOX 40 con el guardabarros FOX 40 DEBE SER EXACTAMENTE de 132 mm, ya que, en caso contrario, se pueden producir consecuencias GRAVES o INCLUSO MORTALES para el ciclista.

Si el tubo (también llamado "pipa") de dirección tiene muescas o estrías que se notan al pasar la uña, deberá cambiar el conjunto de corona/tubo de dirección. Una muesca o estría podría producir un fallo prematuro del tubo de dirección, lo que puede ocasionar la pérdida de control de la bicicleta y provocar LESIONES GRAVES O INCLUSO MORTALES.

No intente nunca crear roscas en los tubos de dirección sin rosca de las horquillas FOX. Crear roscas en un tubo de dirección sin rosca puede provocar el fallo del tubo de dirección y ocasionar la pérdida de control de la bicicleta, con consecuencias GRAVES O INCLUSO MORTALES para el ciclista.

No coloque nunca más de 30 mm de espaciadores de tubo de dirección bajo la potencia, ya que podría provocar un

fallo de funcionamiento del tubo de dirección que ocasione la pérdida de control de la bicicleta, con consecuencias GRAVES O INCLUSO MORTALES para el ciclista.

No deje nunca que elementos como el cable o la funda del cable entren en contacto con el tubo de dirección de una horquilla. Si en su bicicleta los cables y su funda van por dentro, consulte las instrucciones de seguridad de la guía del usuario del fabricante de su bicicleta. Si el cable o su funda entrasen en contacto con el tubo de dirección, este podría averiarse, lo que ocasionaría la pérdida de control de la bicicleta, con consecuencias GRAVES O INCLUSO MORTALES para el ciclista.

Si la funda del cable llega a hacer contacto con la corona de la horquilla, con el tiempo acabará dañando la corona por abrasión. Si no es posible evitar el contacto entre los componentes, cubra el punto de contacto con cinta aislante u otro tipo de protección similar. La garantía FOX no cubre los daños por abrasión que pueda sufrir la horquilla FOX.

Un mantenimiento inadecuado o la utilización de recambios no originales en las horquillas y suspensiones FOX pueden provocar fallos de funcionamiento en el producto que ocasionen LESIONES GRAVES O INCLUSO MORTALES.

Dado que puede haberse acumulado polvo y suciedad entre las aberturas del eje de la horquilla, antes de instalar la rueda, compruebe y limpie siempre toda esa zona. Una instalación incorrecta del eje y el buje puede provocar LESIONES GRAVES O INCLUSO MORTALES.

No utilice nunca limpiadores por agua a presión para limpiar productos FOX.

Si la horquilla pierde aceite, hace tope por arriba o por abajo con demasiada frecuencia, o emite ruidos extraños, póngase en contacto inmediatamente con FOX o con un centro de servicio técnico autorizado de FOX, para efectuar las inspecciones o reparaciones necesarias.

Las horquillas 32 AX requieren un espacio de separación mínimo de 8,5 mm entre el borde del neumático inflado y el guardabarros o la corona y el tubo de dirección. No utilice nunca neumáticos de más de 700 c x 50 mm en las horquillas 32 AX. Con neumáticos de 700

c x 45 mm se puede emplear un guardabarros. No utilice NUNCA neumáticos de más de 700 c x 45 mm con un guardabarros, ya que no quedaría espacio de separación suficiente. La falta de espacio de separación podría hacer que el neumático se atascase contra la corona o el guardabarros al comprimir la horquilla por completo, lo que podría ocasionar LESIONES GRAVES O INCLUSO MORTALES.

Los faros que vayan montados sobre horquillas AWL deben estar separados 8,5 mm como mínimo de todos los componentes del guardabarros y de las piezas móviles. Si no se deja al menos 8,5 mm de espacio de separación entre el soporte del faro y un guardabarros u otras piezas móviles, el neumático podría atascarse cuando la horquilla se comprima por completo, lo cual podría ocasionar LESIONES GRAVES O INCLUSO MORTALES.

Para instalar y ajustar correctamente el sistema de frenos, siga las instrucciones del fabricante de los frenos. No instalar y ajustar correctamente los frenos puede provocar la pérdida de control de la bicicleta, con consecuencias GRAVES O INCLUSO MORTALES para el ciclista.

La horquilla o el amortiguador pueden fallar ante cualquier situación que doble alguna de sus piezas o provoque su rotura. Cualquier circunstancia que provoque la pérdida de aire y/o aceite, por ejemplo una colisión o un largo periodo de inactividad, puede también dar lugar a un fallo del amortiguador o de la horquilla. Un amortiguador u horquilla dañados o con fugas pueden dejar de funcionar correctamente y ocasionar un accidente, con consecuencias GRAVES O INCLUSO MORTALES. Si sospecha que su horquilla o amortiguador están dañados, deje de montar inmediatamente y contacte con FOX para que lo inspeccionen y reparen.

Los portabicicletas que sujetan la bicicleta por la horquilla pueden dañar los brazos de la horquilla o sus punteras, especialmente en los casos en que la horquilla está sometida a cargas laterales, o cuando la rueda trasera no va fijada al portabicicletas. Una horquilla con sus brazos o punteras dañados puede llegar a fallar y ocasionar un accidente con consecuencias GRAVES O INCLUSO MORTALES. Si sospecha que su horquilla está dañada, contacte con FOX para que la inspeccionen y reparen.

INSTALACIÓN DE LA HORQUILLA

1. Desmonte la horquilla de la bicicleta. Retire la carrera o pista de rodadura de la corona de la horquilla. Mida la longitud del tubo de dirección de la horquilla anterior y traslade esa medida al tubo de dirección de su nueva horquilla FOX.

Si no dispone de ninguna horquilla sobre la que medir, mida la altura del conjunto de espaciadores de la dirección (que se muestra en el diagrama siguiente) y consulte las instrucciones del fabricante de la potencia para garantizar que va a haber una superficie de acoplo suficiente para la potencia.

2. Corte el tubo de dirección a la longitud adecuada.

Para potencias acopladas al tubo de dirección en horquillas con tubo de dirección de corona simple (32, 34, 36 y 38 mm) y de corona doble (40 mm): marque el tubo de dirección y córtelo a la longitud adecuada.

Para potencias de acoplo directo en horquillas con tubo de dirección de corona doble (40 mm): haga una marca en el tubo de dirección, en el punto más alto de la corona superior. Retire la horquilla y corte 3 mm por debajo de la marca realizada. Este margen de 3 mm deja espacio suficiente para que la tapa de la potencia ejerza una ligera tensión sobre el juego de dirección, eliminando así toda posible holgura.

ATENCIÓN

Antes de cortar, consulte las instrucciones del fabricante del juego de dirección y de la potencia para asegurarse de que quede una longitud suficiente de tubo de la horquilla para un correcto acoplo con la potencia. Una instalación incorrecta puede provocar que la potencia se separe del tubo de dirección, lo que ocasionaría la pérdida de control de la bicicleta y puede provocar LESIONES GRAVES O INCLUSO MORTALES.

3. Instale el juego de dirección. Utilice siempre un juego de dirección sin rosca nuevo, siguiendo las instrucciones de su fabricante.

- Utilice una cazoleta de dirección (o anillo de rodadura) de 39,8 mm para tubos de dirección de 1 1/2 pulgadas, y de 29,9 mm para los de 1 1/8 pulgadas. Utilice un dispositivo de montaje de la cazoleta de dirección de la corona para instalarla firmemente contra la parte superior de la corona.
- Utilizando una herramienta para tuercas en estrella, instale la tuerca en estrella dejándola entre 4 y 10 mm por debajo del extremo superior del tubo de dirección.

- Instalación de la horquilla en la bicicleta.

Para horquillas FOX con tubo de dirección de corona simple o doble: instale la potencia y las piezas de rodamiento del juego de dirección siguiendo las instrucciones del fabricante y ajuste adecuadamente la precarga del juego de dirección hasta que deje de notar holgura o un arrastre excesivo del rodamiento. Apriete ahora los tornillos de acoplo a la potencia, siguiendo las especificaciones de par indicadas por el fabricante de la potencia.

Para horquillas FOX con tubo de dirección de doble corona: instale los amortiguadores de goma de la dirección en los tubos superiores. Con una llave dinamométrica, apriete todos los pernos de apriete de las coronas inferior y superior con un par de 7,3 N-m (65 in-lb).

Nota: la horquilla FOX 40 puede montarse tanto con potencias de acoplo directo como sobre tubo de dirección. En las potencias de acoplo directo, el par de apriete del tornillo de la corona no debe superar los 12,4 N-m (110 in-lb).

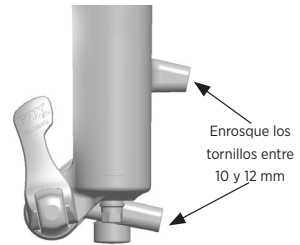
⚠ ATENCIÓN

La horquilla 32 AX debe instalarse en la bicicleta con la cruceta del brazo inferior orientada hacia la parte trasera de la bicicleta. Todos los demás modelos de horquillas FOX deben instalarse en la bici con la cruceta del brazo inferior orientada hacia la parte delantera de la bicicleta. Una horquilla mal instalada puede fallar, provocando la pérdida de control de la bicicleta, lo que puede ocasionar LESIONES GRAVES O INCLUSO MORTALES.

- Instale los frenos siguiendo las instrucciones del fabricante del freno. El tamaño máximo del rotor para las horquillas 32 Step Cast de 27,5 pulgadas, 34 Step Cast y AX es de 180 mm. Todas las demás horquillas FOX 32 y 34 admiten rotores de hasta 203 mm (incluidas las horquillas 32 Step Cast de 29 pulgadas). Todas las horquillas FOX modelos AWL, 36, 38 y 40 FOX admiten rotores de hasta 230 mm.

⚠ ATENCIÓN

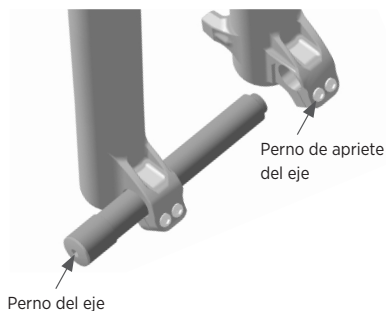
Los pernos de fijación de la pinza del freno de disco deben quedar enroscados en la horquilla entre 10 y 12 mm. Utilice una llave dinamométrica para apretar los tornillos de fijación de la pinza del freno de disco siguiendo las instrucciones del fabricante del freno, pero sin superar los 10,2 Nm (90 in-lb). Una instalación incorrecta puede provocar un fallo en el freno, ocasionar la pérdida de control de la bicicleta y dar lugar a LESIONES GRAVES O LA MUERTE.



- Dirija el manguito o la funda del cable del freno de disco delantero hacia el interior del brazo inferior de la horquilla, haciéndolo pasar por la guía provista para ello. Con una llave dinamométrica, apriete el tornillo de la guía del manguito del freno de disco con un par de 0,9 N-m (8 in-lb).

INSTALACIÓN DE UN EJE BOOST 20X110 (HORQUILLA 40)

- Instale la rueda delantera en las punteras e inserte el eje a través de las punteras y del buje.
- Con una llave dinamométrica con cabeza hexagonal de 5 mm, apriete el perno de eje con un par de 2,2 N-m (19 in-lb).
- Apriete los dos pernos de apriete del eje a la puntera del lado no motriz con un par de 2,2 N-m (19 in-lb).
- Comprima la horquilla un par de veces para asegurarse de que el brazo inferior haya quedado asentado en su punto de mínima fricción.
- Apriete los dos pernos de apriete del eje a la puntera del lado motriz con un par de 2,2 N-m (19 in-lb).



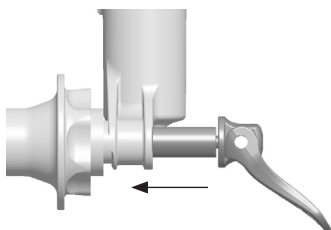
INSTALACIÓN DEL CIERRE RÁPIDO DE 15 MM (HORQUILLAS 32, 34, AWL Y 36 RHYTHM)

El procedimiento de instalación de la rueda es el mismo tanto para los ejes con cierre rápido (QR) de 15x100 mm como de 15x110 mm.

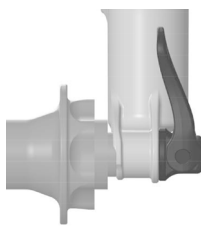
1. Instale la rueda delantera en las punteras de la horquilla. Inserte el eje a través del buje y de la puntera del lado no motriz.
2. Abra la palanca del cierre rápido.
3. Enrosque el eje en su tuerca entre 5 y 6 vueltas completas en sentido horario.
4. Cierre la palanca. La palanca debe estar lo bastante dura como para dejar una marca en la mano.
5. La palanca en su posición debe quedar entre 1 y 20 mm por delante del brazo de la horquilla.
6. Si una vez cerrada en la posición recomendada (entre 1 y 20 mm por delante de la horquilla) la palanca no está lo bastante dura, o lo está demasiado, realice los ajustes que se indican en el apartado siguiente.

⚠ ATENCIÓN

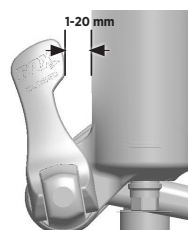
Utilice la mano como única herramienta. No utilice ningún tipo de herramienta para apretar la tuerca del mecanismo de cierre rápido de la rueda. Si aprieta demasiado las palancas de cierre rápido, podría dañar el eje o las punteras de la horquilla, lo que podría ocasionar un fallo súbito de uno o varios de estos componentes, y provocar LESIONES GRAVES O INCLUSO MORTALES. Si el eje no está bien sujeto, la rueda podría desprenderse de la bicicleta, lo que podría ocasionar LESIONES GRAVES O INCLUSO MORTALES.



Palanca QR abierta

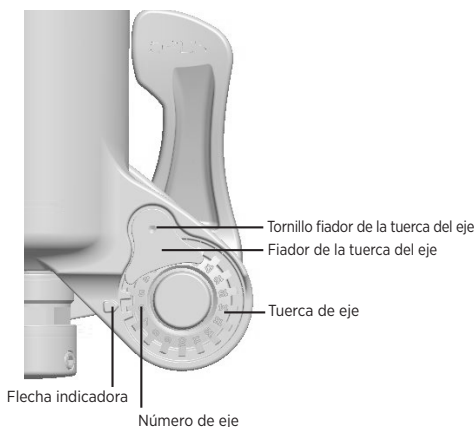


Palanca QR cerrada



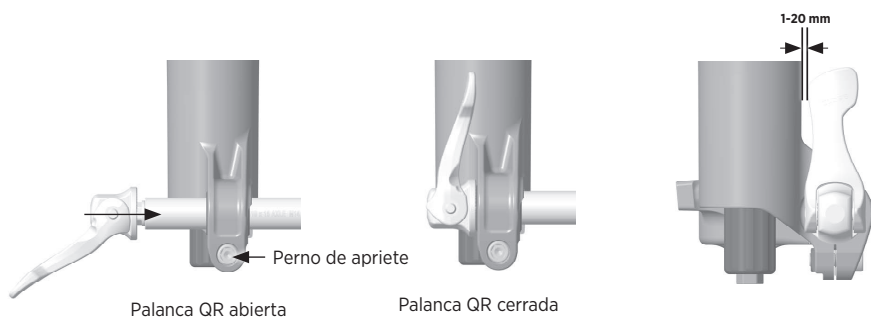
AJUSTE DEL CIERRE RÁPIDO (HORQUILLAS 32, 34 Y 36 RHYTHM)

1. Anote el número de eje, que es la cifra que aparece junto a la flecha indicadora.
2. Con una llave Allen de 2,5 mm, afloje unas cuatro (4) vueltas el tornillo fijador de la tuerca de eje, pero sin sacar del todo el tornillo.
3. Mueva la palanca de cierre rápido hasta su posición de apertura y desenrosque el eje unas 4 vueltas.
4. Empuje el eje hacia dentro desde el lado donde se encuentra la palanca abierta. Con ello empujará hacia fuera la tuerca fijadora del eje y podrá girarla del todo hasta quitarla.
5. Siga empujando el eje y gire la tuerca del eje en sentido horario para aumentar la tensión de la palanca, o en sentido antihorario para reducirla.
6. Vuelva a colocar la tuerca fijadora del eje y apriete el tornillo con un par de 0,9 N-m (8 in-lb).
7. Repita las instrucciones de instalación del eje para comprobar que el proceso de instalación y ajuste se han realizado correctamente.



INSTALACIÓN DEL CIERRE RÁPIDO PARA EJES DE 15 MM (HORQUILLAS 36 Y 38)

1. Afloje el perno de apriete e instale la rueda delantera en las punteras de la horquilla. Introduzca el eje a través del buje y de la puntera del lado motriz.
2. Abra la palanca del eje y el perno de apriete.
3. Enrosque el eje en su tuerca entre 5 y 6 vueltas completas en sentido horario.
4. Cierre la palanca. La palanca debe estar lo bastante dura como para dejar una marca en la mano.
5. La palanca en posición cerrada debe quedar entre 1 y 20 mm por delante del brazo de la horquilla.
6. Si una vez cerrada en la posición recomendada (entre 1 y 20 mm por delante de la horquilla) la palanca no está lo bastante dura, o lo está demasiado, realice los ajustes que se indican en el apartado siguiente.
7. Comprima la horquilla un par de veces para asegurarse de que el brazo inferior haya quedado asentado en su punto de mínima fricción.
8. Apriete los dos pernos de apriete de la puntera del lado motriz a un par de 5,1 N-m (45 in-lb).
IMPORTANTE: Solo tendrá que apretar el perno de apriete durante la primera instalación de la rueda. Después de apretar el perno de apriete, puede quitar el eje QR y reemplazarlo sin tener que aflojar ni volver a apretar el perno de apriete. Si está cambiando las ruedas o los bujes, es probable que deba ajustar el perno de apriete siguiendo estas instrucciones de instalación a partir del paso 1.



AJUSTE DEL CIERRE RÁPIDO (HORQUILLAS AWL, 36 Y 38)

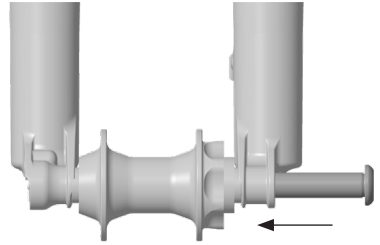
1. Observe en qué dirección debe girar la palanca del eje para alcanzar la orientación correcta.
2. Abra la palanca del eje de la horquilla.
3. Mientras mantiene la palanca QR abierta y sujeta para que no pueda girar, use una llave Allen de 4 mm en el centro del extremo del eje para ajustar la posición de la palanca. Con el ajustador de 4 mm correctamente colocado, debería empezar a sentir tensión en el eje cuando la palanca QR esté a 90 grados del cierre total en posición vertical.
4. Repita las instrucciones de instalación del eje para comprobar que la instalación y el ajuste se han realizado correctamente.

INSTALACIÓN DE EJES KABOLT (HORQUILLAS AX, 32, 34 Y 36 RHYTHM)

El procedimiento de instalación de la rueda es el mismo para los ejes Kabolt de 15x100 mm, 15x110 mm y 12x100 mm.

IMPORTANTE: El eje Kabolt diseñado para las horquillas 32 y 34 de 2022, al igual que el de horquillas Rythm 36 de 2021, no es compatible con las horquillas 36 y 38 de 2022.

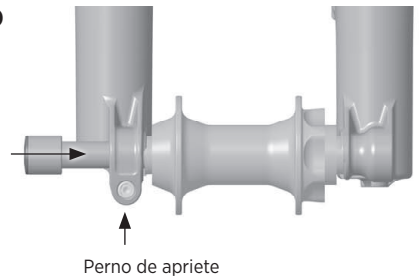
1. Instale la rueda delantera en las punteras de la horquilla. Deslice el eje **Kabolt** a través del buje y de la puntera del lado no motriz.
2. Utilice una llave Allen de 6 mm (5 mm para horquillas AX) para apretar el eje Kabolt (en sentido horario) hasta la especificación de par que aparece grabada en la cabeza del eje Kabolt.



INSTALACIÓN DEL KABOLT X (HORQUILLAS 36 Y 38)

IMPORTANTE: El KaboltX solo es compatible con las horquillas 36 y 38 de 2021 en adelante.

1. Afloje el perno de apriete e instale la rueda delantera en las punteras de la horquilla. Introduzca el eje KaboltX a través del buje y de la puntera del lado motriz.
2. Utilice una llave Allen de 6 mm para apretar el eje KaboltX en sentido horario a la especificación de par grabada en la cabeza del Kabolt.
3. Comprima la horquilla un par de veces para asegurarse de que el brazo inferior haya quedado asentado en su punto de mínima fricción.
4. Apriete los dos pernos de apriete de la puntera del lado motriz a un par de 5,1 N-m (45 in-lb).



COMPROBACIÓN DE DISTANCIA RESPECTO AL NEUMÁTICO

⚠ ATENCIÓN

Si va a utilizar guardabarros, debería comprobar el espacio de separación del neumático mientras lo instala.

1. Despresurice totalmente la horquilla, presionando la válvula Schrader.

⚠ ATENCIÓN

Las horquillas FOX pueden contener aire a alta presión. Antes de desmontarlas, despresurice **TOTALMENTE** la cámara de aire principal. De lo contrario, podrían salir disparadas algunas piezas de la horquilla, o algún líquido, lo cual puede provocar **LESIONES GRAVES O INCLUSO MORTALES**.

2. Comprima a tope la horquilla.
3. Mida la distancia entre los bordes del neumático inflado y el guardabarros, la corona, la cruceta de la horquilla y el tubo de dirección. Debe quedar **COMO MÍNIMO** un espacio de 8,5 mm en todo el perímetro del neumático.

⚠ ATENCIÓN

Si no se deja al menos 8,5 mm de espacio de separación entre el borde del neumático inflado y el guardabarros, la corona, la cruceta de la horquilla y el tubo de dirección, el neumático podría atascarse contra la corona cuando la horquilla se comprima por completo, lo cual podría ocasionar **LESIONES GRAVES O INCLUSO MORTALES**.

4. Aumente la presión de aire hasta alcanzar el nivel que desee, utilizando una bomba de alta presión FOX. Ajuste el hundimiento siguiendo las instrucciones que encontrará en la web www.ridefox.com.
5. Deberá repetir esta prueba **CADA VEZ** que cambie de neumático o de llanta.

⚠ ATENCIÓN

No supere la presión de aire máxima:

La presión máxima de aire de las horquillas 32 FLOAT, AX y Rhythm es de 9,6 bar (140 psi).

La presión máxima de aire de las horquillas 34 FLOAT, AWL y Rhythm es de 8,2 bar (120 psi).

La presión de aire máxima de 36 FLOAT es de 8,2 bar (120 psi).

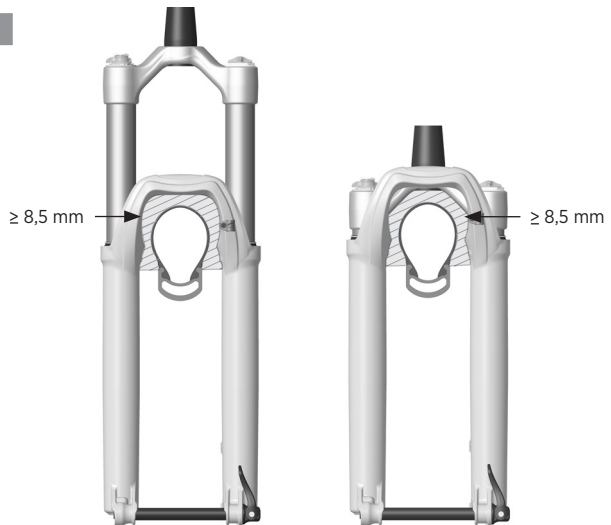
La presión de aire máxima de 38 FLOAT es de 9,6 bar (140 psi).

La presión de aire máxima de 40 FLOAT es de 8,3 bar (120 psi).

Presión de aire mínima:

2,8 bar (40 psi) para todas las horquillas FLOAT y Rhythm.

Presión medida a una temperatura ambiente de entre 21 y 24 °C (70-75 °F). El intervalo de temperaturas normal de los productos FOX va de -7 a 60 °C (20 a 140 °F).



ESPACIADORES DE VOLUMEN PARA MUELLE NEUMÁTICO (SOLO PARA HORQUILLAS FLOAT Y RHYTHM)

La sustitución de espaciadores de volumen en las horquillas FOX FLOAT y Rhythm es un ajuste interno muy sencillo que permite variar el grado de resistencia de la horquilla a media carrera y a fondo. Si, a pesar de haber ajustado bien la precarga, la suspensión se comprime al máximo con demasiada facilidad, puede que le interese instalar uno o varios espaciadores para aumentar su resistencia a alcanzar esa compresión máxima. Si no está utilizando todo el recorrido de la horquilla, puede que le interese eliminar uno o varios espaciadores para reducir la resistencia de la suspensión a alcanzar la compresión máxima.

Nota: Algunas horquillas 32 FLOAT traen de fábrica un espaciador de volumen hueco. Si se desea reducir aún más el volumen de aire, puede añadir a este espaciador de volumen hueco otros espaciadores adicionales de volumen estándar azules de 32 mm.

1. Quite el tapón de aire.
2. Despresurice totalmente la horquilla presionando la válvula Schrader.

⚠ ATENCIÓN

Las horquillas FOX pueden contener aire a altas presiones. Antes de su desmontaje, despresurice **TOTALMENTE** la cámara de aire principal. De lo contrario, podrían salir disparadas algunas piezas de la horquilla, o algún líquido, lo cual puede provocar **LESIONES GRAVES O INCLUSO MORTALES**.

3. **Solo para horquillas 40:** utilice una llave Allen de 5 mm para aflojar el perno de apriete de la corona superior del lado del aire.
4. Desensrosque con cuidado el tapón superior de la horquilla con un vaso hexagonal no biselado de 26 mm (o de 32 mm, en el caso de las horquillas 36, 38 y 40, y para las horquillas AX utilice una herramienta de desmontaje de cassettes Park Tool FR-5 o FR-5.2).
5. Tire hacia arriba del conjunto del tapón superior para separarlo de la corona de la horquilla.
6. Inserte horizontalmente espaciadores de volumen de aire para instalarlos o retirarlos del tapón superior.

⚠ ATENCIÓN

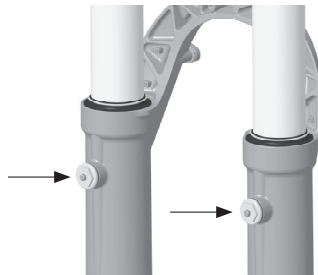
No supere el número máximo de espaciadores de volumen para la horquilla. Podría dañar la horquilla. Puede encontrar información acerca de los espaciadores de volumen en la página www.ridefox.com.

7. Vuelva a instalar el conjunto del tapón superior en la corona de la horquilla y apriételo con un par de 24,8 Nm (220 in-lb) utilizando un vaso hexagonal no biselado de 26 mm (o de 32 mm, en el caso de las horquillas 36, 38 y 40 y para las horquillas AX utilice una herramienta de desmontaje de cassettes Park Tool FR-5 o FR-5.2). **Solo para horquillas 40:** utilice una llave Allen de 5 mm para apretar el perno de apriete de la corona superior del lado del aire a 7,3 N-m (65 in-lb).
8. Añada presión de aire al ajuste deseado, utilizando una bomba de alta presión FOX. Ajuste el hundimiento siguiendo las instrucciones que encontrará en la web www.ridefox.com.

BOTÓN DE LIBERACIÓN DE AIRE/PURGADORES DEL BRAZO INFERIOR (HORQUILLAS 36, 38 Y 40)

El botón de liberación de aire situado en la parte de atrás de cada uno de los brazos de la horquilla permite liberar la presión de aire acumulada para conseguir un rendimiento óptimo. Con la horquilla en posición vertical, mantenga apretado cada botón entre 5 y 10 segundos.

IMPORTANTE: Puede que observe que sale algo de baño de aceite por los purgadores durante el accionamiento; esto es normal.



INSTALACIÓN DEL CONTROL REMOTO

El control remoto puede instalarse por debajo del manillar en el lado no motriz, que es el lugar donde suelen ir las palancas de cambio delanteras, o bien por encima del manillar, en el lado motriz. El control remoto puede utilizarse con dos cables para controlar a la vez tanto la horquilla como el amortiguador.

AMORTIGUADORES FIT4 (PRESIONAR PARA BLOQUEAR Y PRESIONAR PARA DESBLOQUEAR)

1. Instale la palanca de control remoto sobre el manillar. El par de apriete no debe superar los 1,7 N-m (15 in-lb). En los manillares de fibra de carbono, puede que necesite utilizar un par de apriete menor. Si va a instalarla en un manillar de fibra de carbono, consulte las instrucciones del fabricante del manillar. No olvide comprobar que quede espacio de maniobra entre la palanca de control remoto y las manetas o palancas de freno o de cambio.
2. **Solo para horquillas presionar para bloquear:** Lleve la funda del cable desde la palanca de control remoto, rodeando la parte trasera de la corona, hasta el tope de cable de la tapa superior de la horquilla, y córtela a la longitud adecuada. Instale una férula en el extremo de la funda situado junto a la palanca de control remoto.
Solo para horquillas presionar para desbloquear: Lleve la funda del cable desde la palanca de control remoto, rodeando la parte delantera de la corona, hasta el tope de cable de la tapa superior de la horquilla, y córtela a la longitud adecuada. Instale férulas a ambos extremos de la funda del cable.
3. Empuje la palanca de desbloqueo para colocar la palanca de control remoto en la posición abierta (OPEN). Asegúrese de que el extremo del cable quede asentado completamente en la palanca de control remoto.
4. Instale un trozo corto de funda con una férula entre el tambor de ajuste insertado en línea y el cuerpo de la palanca de control remoto.
5. Con todas las fundas de los cables totalmente asentadas y sin ninguna holgura en el sistema, engrase ligeramente el cable interior y enrósquelo a través de la funda del cable y alrededor de la polea del control remoto de la horquilla.
6. Manteniendo tirante el cable, apriete el perno de apriete, recorte el cable sobrante y engaste el extremo.

AMORTIGUADORES DE GRIP CON BLOQUEO POR PRESIÓN

1. Instale la palanca de control remoto en el manillar. El par de apriete no debe superar los 1,7 N-m (15 in-lb). En los manillares de fibra de carbono, puede que necesite utilizar un par de apriete menor. Si va a instalarla en un manillar de fibra de carbono, consulte las instrucciones del fabricante del manillar. No olvide comprobar que quede espacio de maniobra entre la palanca de control remoto y las manetas o palancas de freno o de cambio.
2. Lleve la funda del cable desde la tapa superior de la horquilla hasta la palanca de control remoto y córtela a la longitud adecuada. Instale férulas en la funda, en los extremos de la palanca de control remoto y de la tapa superior de la horquilla.
3. Instale un trozo corto de funda con una férula entre el tambor de ajuste insertado en línea y el cuerpo de la palanca de control remoto.
4. Empuje la palanca de control remoto más grande a su posición de activación; este es el modo duro (FIRM). Asegúrese de que el extremo del cable quede asentado completamente en la palanca de control remoto.
5. Con una llave Allen de 5 mm, gire en sentido horario la polea del control remoto hasta aproximadamente 0,56 N-m (5 in-lb). Mientras sujeta la llave Allen de 5 mm y la polea en esta posición, empuje la horquilla para ver si la fuerza de escape se ajusta a sus preferencias. Ajuste la polea en sentido horario para aumentar la fuerza en el modo FIRM y en sentido antihorario para reducir la fuerza en el modo FIRM, hasta encontrar la configuración deseada. Anote la posición del perno de apriete de la polea para la configuración deseada.
6. Con todas las fundas de los cables totalmente asentadas y sin ninguna holgura en el sistema, engrase ligeramente el cable interior y enrósquelo a través de la funda del cable y alrededor de la polea del control remoto de la horquilla. Con la llave Allen de 5 mm sosteniendo aún la polea del control remoto en la posición de fuerza deseada del modo FIRM (del paso 5), apriete el perno de apriete a 1,13 N-m (10 in-lb).
7. Suelte la llave Allen de 5 mm de la polea del control remoto. Pruebe el accionamiento del control remoto para asegurarse de que funciona correctamente. A continuación, recorte el cable interior sobrante y engaste el extremo.
8. Puede usar el tambor de ajuste insertado en línea para cambiar la fuerza de escape del bloqueo. El ajuste del barril en sentido horario aumenta la fuerza de escape, mientras que en sentido antihorario la reduce.

AMORTIGUADORES DE GRIP CON DESBLOQUEO POR PRESIÓN

1. Instale la palanca de control remoto en el manillar. El par de apriete no debe superar los 1,7 N-m (15 in-lb). En los manillares de fibra de carbono, puede que necesite utilizar un par de apriete menor. Si va a instalarla en un manillar de fibra de carbono, consulte las instrucciones del fabricante del manillar. No olvide comprobar que quede espacio de maniobra entre la palanca de control remoto y las manetas o palancas de freno o de cambio.
2. Lleve la funda del cable desde la tapa superior de la horquilla hasta la palanca de control remoto y córtela a la longitud adecuada. Instale férulas en la funda, en los extremos de la palanca de control remoto y de la tapa superior de la horquilla.
3. Instale un trozo corto de funda con una férula entre el tambor de ajuste insertado en línea y el cuerpo de la palanca de control remoto.
4. Deje la palanca de activación en su posición desactivada; este es el modo FIRM. Asegúrese de que el extremo del cable quede asentado completamente en la palanca de control remoto.
5. Tenga en cuenta que el amortiguador con desbloqueo por presión está en modo FIRM de manera predeterminada. Empuje la horquilla para ver si la fuerza de escape en modo FIRM se ajusta a sus preferencias. Si es así, vaya al paso 6. En caso contrario, utilice una llave Allen de 5 mm con la polea para ajustarla ligeramente (sentido horario para aumentar la fuerza en modo FIRM y en sentido antihorario para reducirla) hasta encontrar la configuración deseada.
6. Con todas las fundas de los cables totalmente asentadas y sin ninguna holgura en el sistema, engrase ligeramente el cable interior y enrósquelo a través de la funda del cable y alrededor de la polea del control remoto de la horquilla. En caso necesario (del paso 5), con la llave Allen de 5 mm sosteniendo aún la polea del control remoto en la posición de fuerza deseada del modo FIRM, apriete el perno de apriete a 1,13 N-m (10 in-lb).
7. Suelte la llave Allen de 5 mm de la polea del control remoto. Pruebe el accionamiento del control remoto para asegurarse de que funciona correctamente. Recorte el cable interior sobrante y engaste el extremo.
8. Puede usar el tambor de ajuste insertado en línea para cambiar la fuerza de escape del bloqueo. El ajuste del barril en sentido horario reduce la fuerza de escape, mientras que en sentido antihorario la incrementa.

MANTENIMIENTO

Una limpieza adecuada de su producto FOX después de cada uso, unida a un mantenimiento periódico a intervalos preestablecidos, contribuirá a reducir los costes de reparación y a prolongar la vida útil del producto.

Para más información sobre los procedimientos de reparación y mantenimiento, visite www.ridefox.com/OwnersManuals, o bien contacte con FOX si necesita una revisión integral (1.800.369.7469 o mtbservice@ridefox.com).

Revisiones mínimas recomendadas	Cada vez que vaya a utilizar la bicicleta	Después de cada utilización de la bicicleta	Periódicamente	Cada 125 horas de uso, o una vez al año (lo que antes suceda)*
Inspeccione todo el exterior de la horquilla o amortiguador. La horquilla o amortiguador no debería utilizarse si presenta algún daño visible en alguna de sus partes exteriores. Le recomendamos que contacte con su concesionario local o con FOX para su reparación.	X			
Compruebe que las palancas de desmontaje rápido de las ruedas estén bien ajustadas y apretadas.	X			
Compruebe el ajuste de la dirección. Si está floja, ajústela siguiendo las recomendaciones del fabricante de la bicicleta.	X			
Compruebe que los manguitos o cables del freno estén bien sujetos. Compruebe el correcto funcionamiento de los frenos delanteros y traseros sobre un terreno nivelado.	X			
Limpie el exterior utilizando exclusivamente agua y un jabón no abrasivo y, a continuación, séquelo con un paño suave. No utilice máquinas de lavado a alta presión ni rocíe agua directamente sobre las uniones entre la junta y el cuerpo del amortiguador.		X		
Compruebe los ajustes de amortiguación y precarga de la suspensión. Inspeccione los controles para verificar si funcionan correctamente y si presentan algún daño apreciable a simple vista.			X	
Revisión completa (revisión integral interior y exterior, reensamblaje del amortiguador, sustitución de las juntas de aire en el caso de los amortiguadores neumáticos, reensamblaje del amortiguador neumático, sustitución del baño de aceite y de los guardapolvos).				X

*Para los ciclistas que realizan descenso de pendientes extremo con ascenso por elevador (DH), Park (ciclismo acrobático en pistas urbanas de skateboard), Freeride extremo, o que circulan bajo condiciones ambientales extremadamente húmedas o embarradas, o muy secas y polvorientas, en las que la gravilla del camino se proyecta contra la horquilla al recorrerlo, FOX recomienda encarecidamente realizar las operaciones de mantenimiento con una frecuencia mayor de la indicada. Si escucha, ve o nota algo inusual, deje de montar inmediatamente y contacte con un servicio técnico autorizado de FOX para que revisen adecuadamente el producto.

MÁS INFORMACIÓN Y VÍDEOS EN:

ridefox.com

FOX Factory, Inc., empresa californiana con domicilio social en 915 Disc Dr, Scotts Valley, CA 95066 (“FOX”), cubre sus productos de suspensión con la siguiente GARANTÍA LIMITADA:

GARANTÍA LIMITADA DE FOX

GARANTÍA LIMITADA POR UN (1) AÑO DE LOS PRODUCTOS DE SUSPENSIÓN

Conforme a las limitaciones, términos y condiciones aquí descritos, FOX garantiza al propietario original que adquiera cada producto de suspensión FOX nuevo que dicho producto de suspensión FOX llega de fábrica sin ningún defecto de materiales ni de mano de obra. Esta garantía caduca en un plazo de un (1) año desde la fecha original de compra del producto de suspensión FOX a un concesionario autorizado FOX, o a un integrador (Original Equipment Manufacturer) autorizado por FOX, en caso de que la suspensión FOX venga incluida de serie en un vehículo adquirido por el cliente.

CONDICIONES DE GARANTÍA

Esta garantía está condicionada a que el producto de suspensión FOX sea utilizado en condiciones normales y con un mantenimiento adecuado conforme a las especificaciones indicadas por FOX. La presente garantía se aplica exclusivamente a las suspensiones FOX adquiridas como producto nuevo a un proveedor autorizado por FOX, y cubre únicamente al propietario que adquirió originalmente en el comercio el producto de suspensión FOX nuevo, pero no es transferible a posteriores propietarios.

Si se determinase, a criterio exclusivo y concluyente de FOX, que un producto de suspensión FOX está cubierto por esta garantía, se procederá a su reparación o sustitución por un modelo comparable, a elección exclusiva de FOX, que será definitiva y vinculante. ESTE SERÁ EL ÚNICO RESARCIMIENTO PREVISTO AL AMPARO DE ESTA GARANTÍA LIMITADA. QUEDAN EXCLUIDOS EXPRESAMENTE CUALESQUIERA OTROS RESARCIMIENTOS O COMPENSACIONES POR DAÑOS Y PERJUICIOS QUE PUDIERAN SER DE APLICACIÓN, LO QUE INCLUYE, A TÍTULO MERAMENTE ENUMERATIVO Y NO LIMITATIVO, LOS DAÑOS EMERGENTES O INDIRECTOS Y LOS DAÑOS PUNITIVOS.

La presente garantía limitada no cubre el desgaste y deterioro normales por el uso, ni los fallos o averías provocados por un uso indebido o negligente, un montaje incorrecto, la alteración o modificación, reparaciones u operaciones de mantenimiento inadecuadas o no autorizadas, accidentes, impactos o colisiones, o cualquier otra utilización anormal, excesiva o inapropiada.

Esta garantía limitada confiere derechos legales específicos al cliente. El cliente puede estar amparado también por otros derechos legales otorgados por la legislación aplicable en su país, a los cuales no afecta esta garantía limitada. Si un tribunal competente determinase que alguna de las cláusulas de esta garantía limitada no es aplicable, ello no afectará a las restantes cláusulas de esta garantía limitada, que permanecerán plenamente vigentes.

ESTA ES LA ÚNICA GARANTÍA CON LA QUE FOX CUBRE SUS PRODUCTOS Y COMPONENTES DE SUSPENSIÓN, SIN QUE EXISTA NINGUNA OTRA GARANTÍA MÁS ALLÁ DE LA AQUÍ DESCRITA. QUEDA EXCLUIDA CUALQUIER OTRA GARANTÍA IMPLÍCITA QUE PUDIERA CONSIDERARSE POR LEY, INCLUIDAS, A TÍTULO MERAMENTE ENUMERATIVO Y NO LIMITATIVO, LAS GARANTÍAS IMPLÍCITAS DE COMERCIALIZACIÓN O DE IDONEIDAD PARA UNA FINALIDAD CONCRETA.

Esta garantía limitada se registrará exclusivamente por la legislación del Estado de California.

Si presenta una reclamación conforme a esta garantía limitada, se le pedirá que lleve a un centro de servicio técnico autorizado de FOX:

1. El producto (o la pieza afectada).
2. Una copia del recibo de compra original que indique claramente el nombre y la dirección del vendedor, la fecha y el lugar de compra, el número de referencia del producto y, si se utiliza, un número de serie. Si los productos FOX se venden como parte de una bicicleta completa, debe incluirse la marca de la bicicleta, el modelo, el año del modelo y el número de serie.

PARABÉNS!

Obrigado por escolher um produto de suspensão FOX para a sua bicicleta. Os produtos de suspensão FOX são projetados e testados pelos melhores profissionais da indústria, em Santa Cruz County, Califórnia, EUA.

Siga as diretrizes e instruções fornecidas neste guia do proprietário, de maneira que seja capaz de instalar, usar e manter adequadamente o seu novo produto FOX.

Mais informações e vídeos estão disponíveis em <http://www.ridefox.com/OwnersManuals>, ou telefone para a FOX US em 1.800.369.7469, email mtbservice@ridefox.com, ou contacte um Centro de Serviço Internacional Autorizado da FOX em <http://www.ridefox.com/GlobalDistributors>. Se não tiver acesso à internet, contacte a FOX para encomendar uma cópia impressa em papel do manual do proprietário da FOX que está online, para o seu produto, gratuitamente.

⚠️ AVISO E INFORMAÇÕES DE SEGURANÇA

Os produtos FOX deverão ser instalados por um técnico profissional de manutenção de bicicletas, de acordo com as especificações de instalação da FOX. Os garfos instalados incorretamente podem falhar, fazendo com que o ciclista perca o controle e resultando em FERIMENTOS GRAVES OU MORTE.

A modificação ou alteração de um produto FOX pode provocar a avaria do produto, resultando em FERIMENTOS GRAVES OU MORTE. Nunca modifique nem altere NENHUMA peça de um produto FOX (incluindo molas helicoidais, travessa do braço inferior, coroa, direção, tubos superiores, braços inferiores, caixa do ar, espigão do selim, espaçadores do volume de ar, peças internas, calços de fenda para o eixo, adaptadores de eixo, nem nenhuma outra peças).

Os produtos de suspensões para bicicletas da FOX também podem ser usados em bicicletas elétricas da Classe 1 (designação dos EUA) e L1e-A (designação da UE).

Os produtos de suspensões FOX E-BIKE+ podem ser usados em bicicletas elétricas da Classe 3 (designação dos EUA) e L1e-B (designação da UE).

NÃO use nenhuns garfos FOX 32 AX, FLOAT de 32 mm, Step-Cast de 32 mm nem Step-Cast de 34 mm em nenhuma bicicleta motorizada ou veículo motorizado assistidos por pedais, que excedam uma velocidade máxima assistida de 32 km/h (20 milhas/hora) ou um peso máximo do sistema de 121 Kg (266 libras).

NÃO use nenhuns produtos de suspensões para bicicletas da FOX em nenhuma bicicleta motorizada ou veículo motorizado assistidos por pedais, que excedam uma velocidade máxima assistida de 32 km/h (20 milhas/hora) ou um peso máximo do sistema de 140 Kg (308 libras).

NÃO use nenhuns produtos de suspensões FOX E-BIKE+ em nenhuma bicicleta motorizada ou veículo motorizado assistidos por pedais, que excedam uma velocidade máxima assistida de 45 km/h (28 milhas/hora) ou um peso máximo do sistema de 169 Kg (372 libras). NÃO use nenhuns produtos para suspensões de bicicletas FOX em quaisquer veículos motorizados que tenham um acelerador.

O uso incorreto dos produtos de suspensões FOX pode provocar a falha da suspensão, resultando em danos aos bens ou FERIMENTOS GRAVES OU MORTE, e anulam a garantia.

NÃO use produtos para suspensões de bicicletas FOX em quaisquer veículos que transportem mais do que um operador ou ciclista, tais como bicicletas para 2 pessoas (tandem) ou bicicletas comerciais pesadas.

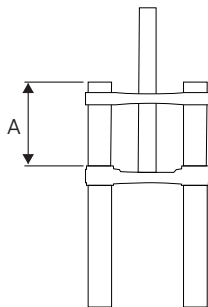
Não retire nem substitua o tubo da direção. Disso poderia resultar a perda de controle da bicicleta, com possíveis FERIMENTOS GRAVES OU MORTE.

Nunca tente retirar ou substituir a coluna da direção ou os tubos superiores independentemente da coroa. Modificar o conjunto integrado da coroa, coluna da direção ou tubos superiores pode causar a falha do conjunto, resultando numa perda de controle da bicicleta e em FERIMENTOS GRAVES OU MORTE.

Não corte a coluna da direção mais do que três (3) mm abaixo da peça mais alta instalada. Se por erro a coluna da direção tiver sido demasiado cortada ficando curta, a coroa/tubo da direção/conjunto do tubo superior TERÃO QUE SER SUBSTITUÍDOS! Usar um garfo com uma coluna da direção instalada com

engate demasiado curto pode levar a uma falha súbita do garfo, causando uma perda de controle da bicicleta e resultando em FERIMENTOS GRAVES OU MORTE.

A posição do tubo superior do FOX de 27,5 polgadas e de 29 pol. com 40 mm é fixada na fábrica para ter a segurança de não tocar num pneu de 2,50 pol. (63,5 mm) ao bater no fundo. A posição normal desde o "topo da coroa" até ao "topo do tubo superior" é 137,5 mm (A). Nunca aumente a medida do "topo da coroa" até ao "topo do tubo superior" para além de 137,00 mm. Qualquer posição do tubo superior maior que 137,00 mm iria reduzir a folga do pneu à coroa e provocar a perda de controle do ciclista, resultando em GRAVES FERIMENTOS OU MORTE.



Nunca diminua a medida do "topo da coroa" até ao "topo do tubo superior" para menos de 127 mm (A). Qualquer posição do tubo superior menor que 127 mm pode provocar a avaria do produto, resultando em FERIMENTOS GRAVES OU MORTE.

Nunca instale o resguardo para lama FOX 40 Mud Guard sem primeiro ter ajustado a posição para 132 mm (A) do "topo da coroa" até ao "topo do tubo superior". A posição do "topo da coroa" até ao "topo do tubo superior" do garfo FOX 40 com o resguardo para lama FOX 40 Mud Guard TEM QUE SER EXATAMENTE 132 mm ou poderão resultar GRAVES FERIMENTOS OU MORTE.

Se a coluna da direção tiver quaisquer cortes ou entalhes que possa sentir com a sua unha, o conjunto coroa/tubo da coluna da direção tem que ser substituído. Um corte ou entalhe pode fazer falhar o tubo da coluna da direção, resultando numa perda de controle da bicicleta e em FERIMENTOS GRAVES OU MORTE.

Nunca tente abrir fios de rosca nas colunas da direção sem rosca dos garfos da FOX. Criar fios de rosca numa coluna da direção sem rosca pode fazer falhar a coluna da direção, resultando numa perda de controle da bicicleta e em FERIMENTOS GRAVES OU MORTE.

Nunca use mais que 30 mm de altura de espaçadores do espigão da coluna da direção por baixo do espigão da coluna da direção, porque isso pode fazer falhar o tubo da coluna da direção, resultando numa perda de controle da bicicleta e em FERIMENTOS GRAVES OU MORTE.

Nunca permita que coisas tais como cabos ou bainhas de cabos entrem em contacto com o tubo da coluna da direção

de um garfo. Se a sua bicicleta tiver encaminamento interno de cabos e bainhas de cabos, trate de consultar o guia do proprietário do fabricante da sua bicicleta para obter instruções de segurança. Cabos e/ou bainhas de cabos que entrem em contacto com o tubo da direcção podem causar a falha do tubo da direcção, resultando numa perda de controlo da bicicleta e em FERIMENTOS GRAVES OU MORTE.

As bainhas de cabos em contacto com a coroa do garfo causarão danos de abrasão à coroa ao longo do tempo. Se for impossível evitar o contacto, use fita de vinil ou protecção semelhante para recobrir o ponto de contacto. A garantia da FOX não cobre estragos por abrasão à coroa do garfo FOX.

A manutenção incorreta, ou o uso de peças sobressalentes não originais com os garfos e amortecedores FOX pode provocar a avaria do produto, resultando em FERIMENTOS GRAVES OU MORTE.

Como a sujidade e os detritos se podem acumular entre as aberturas do eixo do garfo, inspecione e limpe sempre essas áreas antes de instalar a roda. A instalação incorreta do cubo do eixo pode resultar em FERIMENTOS GRAVES OU MORTE.

Nunca use uma lavadora com pressão para lavar o seu produto FOX.

Se o seu garfo perde óleo, bate no topo ou no fundo (fim de curso) excessivamente, ou faz ruídos anormais, não guie com esse garfo, e imediatamente contacte a FOX ou um Centro de Serviço Autorizado da FOX para ter um serviço de inspeção ou reparação.

Os garfos 32 AX exigem um espaço livre (folga) mínimo de 8,5 mm entre os bordos do pneu bem cheio de ar e o guarda-lamas ou coroa e o tubo da direcção, no fim do curso (no fundo). Nunca use um pneu maior que 700 c x 50 mm em garfos 32 AX. Um guarda-lamas pode ser usado com um pneu de tamanho até 700 c x 45 mm. NUNCA use um pneu de tamanho maior que

700 c x 45 mm com um guarda-lamas; isso não proporciona folga suficiente. Se não deixar folga suficiente poderá ocorrer que o pneu fique entalado contra a coroa ou contra o guarda-lamas quando o garfo for totalmente comprimido, de que poderão resultar FERIMENTOS GRAVES OU MORTE.

Faróis montados em garfos AWL têm que estar livres de chocar contra todos os componentes do guarda-lamas e peças móveis, com uma folga de pelo menos 8,5 mm. Se não deixar um mínimo de 8,5mm de espaço livre entre o suporte de montagem do farol e o guarda-lamas ou outras peças em movimento, poderá resultar que o pneu venha a ficar entalado quando o garfo for totalmente comprimido, do que poderão resultar FERIMENTOS GRAVES OU MORTE.

Siga as instruções de instalação do fabricante do seu travão para uma instalação e ajuste corretos do sistema de travões. Se não instalar e ajustar adequadamente os seus travões, pode provocar a perda de controlo da bicicleta, resultando em FERIMENTOS GRAVES OU MORTE.

O seu garfo ou amortecedor podem falhar em situações que causem que dobre e/ou parta qualquer peça do garfo ou do amortecedor. Qualquer situação que cause perda de ar e/ou óleo, tal como colisão ou períodos prolongados sem usar, podem causar a avaria do seu garfo ou amortecedor. Um garfo ou amortecedor danificado e/ou com uma fuga pode falhar, resultando em acidente e FERIMENTOS GRAVES OU MORTE. Se suspeitar que o seu garfo ou amortecedor foi danificado, deixe de guiar imediatamente e contacte a FOX para uma inspeção ou reparação.

Um dispositivo de transporte da bicicleta onde ela se monta pelo garfo, pode causar danos aos braços do garfo e/ou encaixes, especialmente em casos em que o garfo preso e esforçado lateralmente e/ou quando a roda traseira não está fixada no dispositivo de transporte. Braços do garfo e/ou encaixes danificados podem falhar, resultando em acidente e FERIMENTOS GRAVES OU MORTE. Se suspeita que o seu garfo foi danificado, contacte a FOX para uma inspeção ou reparação.

INSTALAÇÃO DO GARFO

1. Retire o garfo existente que está na bicicleta. Retire a guia da coroa do garfo velho. Meça o comprimento do tubo da coluna da direcção do garfo velho e transfira esta medida para o seu tubo da coluna da direcção do garfo FOX novo. Se não tiver um garfo existente para medir, meça a altura total do conjunto da caixa da direcção (peças da coluna da direcção e tubo da cabeça do quadro) e consulte as instruções do fabricante do seu espigão para se assegurar que vai existir suficiente superfície para o aperto do espigão.
2. Corte o tubo da direcção com o comprimento adequado.

Para espigões de montagem do tubo da direcção de garfos com uma única coroa da direcção (32, 34, 36 e 38 mm) e de garfos com coroa da direcção dupla (40 mm): Marque o tubo da direcção e corte-o com o comprimento adequado.

Para espigões de montagem directa do tubo da direcção de garfos com coroa da direcção dupla (40 mm): Marque o tubo da direcção no bordo superior da coroa superior. Retire o garfo e corte 3 mm abaixo da marca. Estes 3 mm deixam espaço para que a tampa do espigão possa tensionar levemente a caixa da direcção e eliminar qualquer folga.

AVISO

Antes de cortar, consulte as instruções do fabricante da sua caixa da direcção e do espigão para assegurar que tenha suficiente comprimento de tubo da direcção para fixar a direcção e o espigão. Uma instalação incorreta pode levar à separação do espigão e da direcção, resultando em perda de controlo e FERIMENTOS GRAVES OU MORTE.

3. Instale a caixa da direcção. Use sempre uma caixa da direcção nova sem rosca e siga as instruções do fabricante da caixa da direcção.
4. Instale uma guia de coroa de 39,8 mm para tubos de direcção de 1,5 polegadas e uma guia de coroa de 29,9 mm para tubos de direcção de 1,125 polegadas. Use uma ferramenta de ajuste da guia da coroa para instalar a guia da coroa firmemente contra o topo da coroa.
5. Use uma ferramenta para instalação da porca com dentes em estrela para instalar a porca com dentes em estrela 4-10 mm abaixo do topo do tubo da direcção.

6. Instale o garfo na bicicleta.

Para garfos com tubo da direção FOX com coroa da direção única ou dupla: Instale as peças que recebem a caixa da direção e o espigão de acordo com as instruções do fabricante da caixa da direção, e ajuste o pré-tensionamento da caixa da direção de acordo com isso até que não sinta folga (movimento lateral) excessiva nem resistência da chumaceira. Aperte os parafusos de fixação do espigão conforme as especificações de momento de torque recomendadas pelo fabricante do espigão.

Para garfos com tubo da direção FOX com coroa da direção dupla: Instale os limitadores de movimento nos tubos superiores. Use uma chave de momento de torque para apertar todos os pernos de aperto de cima e de baixo da coroa a 7,3 N-m (65 pol.-lb).

Nota: A FOX 40 pode ser equipado quer com espigão de montagem directa quer com um espigão montado na coluna da direção. O momento de torque do perno que fixa o espigão de montagem directa à coroa não pode exceder 12,4 N-m (110 pol.-lb).

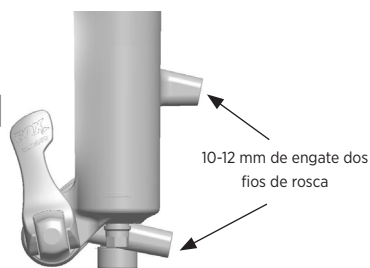
AVISO

O garfo 32 AX tem que ser instalado na bicicleta com o suporte do braço inferior orientado em direção à traseira da bicicleta. Todos os outros garfos da FOX têm que ser instalados na bicicleta com o suporte do braço inferior orientado em direção à frente da bicicleta. Os garfos instalados incorretamente podem falhar, fazendo com que o ciclista perda o controlo e resultando em FERIMENTOS GRAVES OU MORTE.

7. Instale os travões de acordo com as instruções do fabricante dos travões. O tamanho máximo do rotor para garfos 32 Step Cast de 27,5 pol. (70 cm), 34 Step Cast e AX é de 180 mm. Todos os outros garfos FOX 32 e 34 podem usar um rotor até 203 mm (incluindo os garfos 32 Step Cast de 29 pol. (73,7 cm)). Todos os garfos FOX AWL, 36, 38 e 40 podem usar um rotor até 230 mm.

AVISO

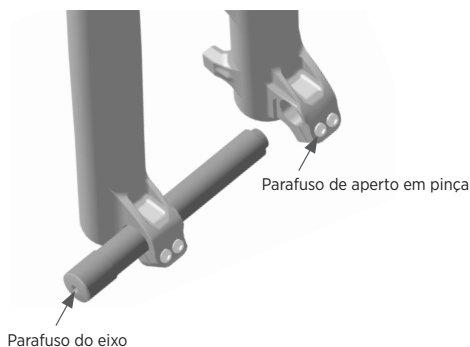
Os pernos de montagem da maxila do travão de disco têm que ter 10-12 mm de rosca engatada no garfo. Use uma chave de momento de torção para apertar os pernos de montagem da maxila à especificação do fabricante do travão de disco, mas não exceda 10,2 Nm (90 pol.-lb). Uma instalação incorreta pode levar à falha do travão, resultando em perda de controlo da bicicleta e FERIMENTOS GRAVES OU MORTE.



8. Encaminhe a bainha ou cabo do travão de disco da frente pelo interior do braço inferior, e através da guia fornecida para o resguardo do travão de disco. Use uma chave de momento de torção para apertar o parafuso da guia do tubo flexível do travão de disco a 0,9 N-m (8 pol.-lb).

INSTALAÇÃO DO EIXO BOOST AXLE 20X110 (GARFO 40)

1. Instale a roda da frente dentro dos encaixes e faça deslizar o eixo através dos encaixes e do cubo.
2. Use uma chave sextavada de 5 mm para apertar o parafuso do eixo a 2,2 N-m (19 pol.-lb).
3. Aperte a um momento de torque de 2,2 N-m (19 pol.-lb) os dois parafusos de aperto em pinça no encaixe do lado que não tem cremalheiras.
4. Comprima o garfo várias vezes para assegurar que o braço inferior tenha assentado no seu ponto de fricção mínima.
5. Aperte a 2,2 N-m (19 pol.-lb) os dois parafusos de aperto em pinça no encaixe do lado que tem cremalheiras.



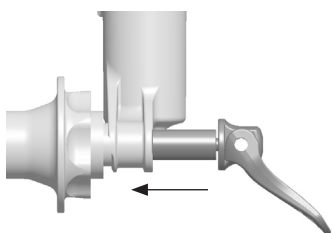
INSTALAÇÃO DO DESPRENDIMENTO RÁPIDO DE 15 MM (GARFOS 32, 34, AWL E 36 RHYTHM)

A instalação de roda é idêntica para ambos os eixos de desprendimento rápido (QR) 15x100 mm e 15x110 mm.

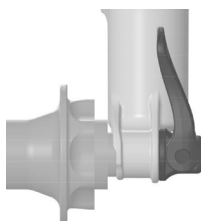
1. Instale a roda da frente nos encaixes do garfo. Enfie o eixo através do encaixe e cubo do lado sem cremalheiras.
2. Abra a alavanca do eixo.
3. Rode o eixo no sentido dos ponteiros do relógio 5-6 voltas completas para dentro da porca do eixo.
4. Feche a alavanca. A alavanca tem que ter suficiente tensão para deixar uma marca na sua mão.
5. A posição da alavanca fechada tem que ser entre 1 e 20 mm em frente do braço do garfo.
6. Se a alavanca não tiver tensão suficiente, ou se tiver demasiada tensão quando estiver fechada na posição recomendada (1-20 mm em frente do garfo), veja a próxima secção para obter instruções de ajuste.

⚠ AVISO

Use apenas a pressão da mão. Não use nenhuma ferramenta para apertar a alavanca de desprendimento rápido. Apertar demasiado as alavancas pode danificar o eixo ou os encaixes do garfo, levando a uma súbita falha de um ou mais destes componentes, e resultando em FERIMENTOS GRAVES OU MORTE. Não fixar o eixo corretamente poderá fazer com que a roda se desprenda da bicicleta, resultando em FERIMENTOS GRAVES OU MORTE.



Alavanca de desprendimento rápido aberta

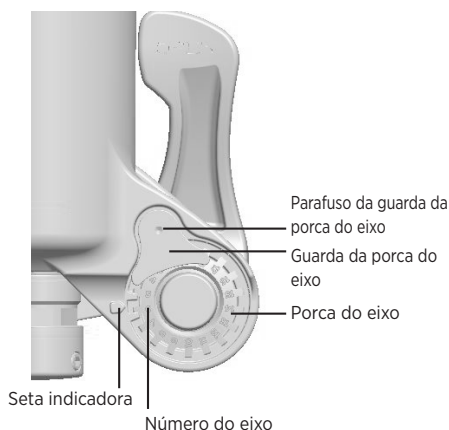


Alavanca de desprendimento rápido fechada



AJUSTAR O DESPRENDIMENTO RÁPIDO (GARFOS 32, 34 E 36 RHYTHM)

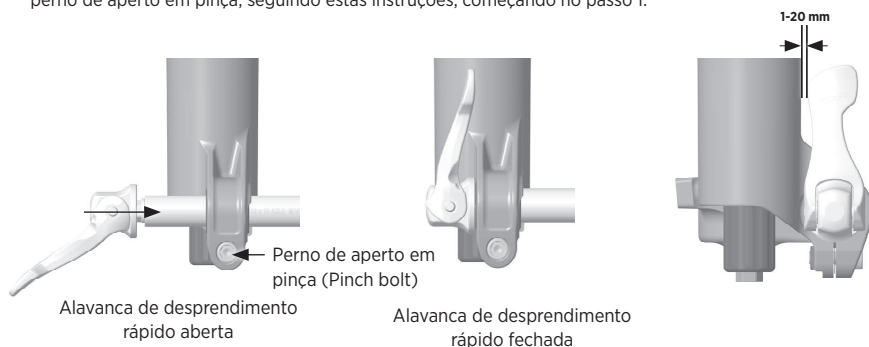
1. Anote o número do eixo, que é o número na seta indicadora.
2. Use uma chave sextavada de 2,5 mm, para afrouxar o parafuso da guarda da porca do eixo aproximadamente quatro (4) voltas, mas não retire completamente o parafuso.
3. Mova a alavanca de desprendimento rápido para a posição open/aberta e desaperte o eixo aproximadamente quatro (4) voltas.
4. Empurre o eixo para dentro desde o lado da alavanca aberta. Isto irá empurrar para fora a guarda da porca do eixo e permitir que o rode para fora do seu caminho.
5. Continue a empurrar o eixo e rode a porca do eixo no sentido dos ponteiros do relógio para aumentar a tensão da alavanca, ou no sentido contrário ao dos ponteiros do relógio para diminuir a tensão da alavanca.
6. Faça regressar a guarda da porca do eixo para dentro do seu lugar e aperte o parafuso a um momento de torção de 0,9 N-m (8 pol.-lb).
7. Repita as instruções de instalação do eixo para verificar a correta instalação e ajuste.



INSTALAÇÃO DO DESPRENDIMENTO RÁPIDO DE 15 MM (GARFOS 36 E 38)

1. Desaperte o perno de aperto em pinça, e depois instale a roda da frente nos encaixes do garfo. Enfie o eixo através do encaixe do lado com cremalheiras e do cubo.
2. Abra a alavanca do eixo e o perno de aperto em pinça.
3. Rode o eixo no sentido dos ponteiros do relógio 5-6 voltas completas para dentro da porca do eixo.
4. Feche a alavanca. A alavanca tem que ter suficiente tensão para deixar uma marca na sua mão.
5. A posição da alavanca fechada tem que ser entre 1 e 20 mm em frente do braço do garfo.
6. Se a alavanca não tiver tensão suficiente, ou se tiver demasiada tensão quando estiver fechada na posição recomendada (1-20 mm em frente do garfo), veja a próxima secção para obter instruções de ajuste.
7. Comprima o garfo várias vezes para assegurar que o braço inferior tenha assentado no seu ponto de fricção baixa.
8. Aperte a um momento de torção de 5,1 N.m (45 pol.-libra) o perno de aperto em pinça no encaixe do lado que tem cremalheiras.

IMPORTANTE: Só vai precisar de apertar o perno de aperto em pinça durante a sua primeira instalação da roda. Depois de apertar o perno de aperto em pinça, pode retirar o eixo de desprendimento rápido e substituí-lo, sem ter que desapertar e voltar a apertar o perno de aperto em pinça. Se estiver a substituir rodas ou cubos, é provável que tenha que ajustar o perno de aperto em pinça, seguindo estas instruções, começando no passo 1.



AJUSTAR O DESPRENDIMENTO RÁPIDO (GARFOS AWL, 36 E 38)

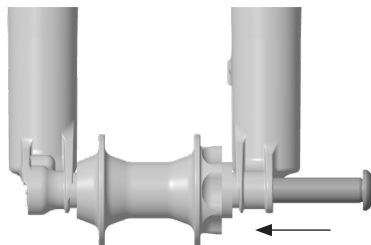
1. Anote em que direção tem que ser rodada a alavanca do eixo para obter a orientação apropriada.
2. Abra a alavanca do eixo no garfo.
3. Enquanto mantém aberta e estacionária a alavanca de desprendimento rápido, de modo que não possa rodar, use uma chave sextavada de 4 mm no centro da extremidade do eixo para ajustar a posição da alavanca. Com a ferramenta ajustadora de 4 mm colocada de maneira apropriada, deverá começar a sentir tensão no eixo quando a alavanca do desprendimento rápido estiver 90 graus antes de fechar completamente na posição vertical.
4. Repita as instruções de instalação do eixo para verificar a correta instalação e ajuste.

INSTALAÇÃO DO KABOLT (GARFOS AX, 32, 34 E 36 RHYTHM)

A instalação da roda é idêntica para os eixos Kabolt de 15x100 mm, 15x110 mm e 12x100 mm.

IMPORTANTE: O Kabolt concebido para os garfos 2022 32 e 34, bem como para o garfo 2021 36 Rhythm, não é compatível com os garfos 2022 36 e 38.

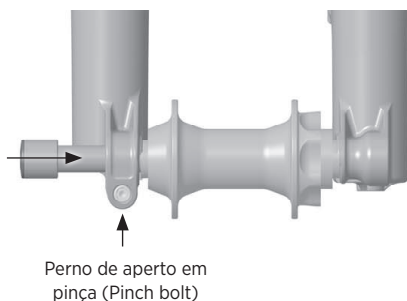
1. Instale a roda da frente nos encaixes do garfo. Enfie o eixo Kabolt através do encaixe do lado sem cremalheiras e do cubo.
2. Use uma chave sextavada de 6 mm (5 mm para garfos AX) para aplicar torção ao eixo **Kabolt** (no sentido dos ponteiros do relógio), até atingir o momento de torção especificado que está gravado (com laser) na cabeça do Kabolt.



INSTALAÇÃO DO EIXO KABOLT (GARFOS 36 E 38)

IMPORTANTE: O KaboltX só é compatível com os garfos 2021+ 36 e 38.

1. Desaperte o perno de aperto em pinça, e depois instale a roda da frente nos encaixes do garfo. Enfie o eixo KaboltX através do encaixe do lado com cremalheiras e do cubo.
2. Use uma chave sextavada de 6 mm para aplicar torção ao eixo KaboltX, no sentido dos ponteiros do relógio, até atingir o momento de torção especificado que está gravado com laser na cabeça do Kabolt.
3. Comprima o garfo várias vezes para assegurar que o braço inferior tenha assentado no seu ponto de fricção baixa.
4. Aperte a um momento de torção de 5,1 N.m (45 pol.-libra) o perno de aperto em pinça no encaixe do lado que tem cremalheiras.



TESTE DE ESPAÇO LIVRE PARA O PNEU

⚠ AVISO

Se for usar um guarda-lamas ou um resguardo contra a lama, deverá instalá-lo quando efetuar o teste de espaço livre (folga) para o pneu.

1. Liberte toda a pressão de ar do garfo, carregando na válvula Schrader.

⚠ AVISO

Os garfos FOX poderão conter altas pressões de ar. Liberte TODA a pressão de ar da câmara principal de ar antes da desmontagem. Se não fizer isto, poderão ser ejetadas do garfo peças e fluidos, o que poderá causar FERIMENTOS GRAVES OU MORTE.

2. Comprima completamente o garfo.
3. Meça a distância desde os bordos do pneu cheio de ar até ao guarda-lamas/ resguardo contra lama, coroa, suporte do garfo e tubo da direção.

⚠ AVISO

Se não deixar pelo menos 8,5 mm de espaço livre entre os bordos do pneu bem cheio de ar e o guarda-lamas/ resguardo contra lama, coroa, suporte do garfo e tubo da direção, poderá resultar que o pneu venha a ficar entalado contra a coroa quando o garfo for totalmente comprimido, do que poderão resultar FERIMENTOS GRAVES OU MORTE.

4. Acrescente pressão de ar até ao valor desejado usando uma bomba de alta pressão FOX. Ajuste a retração de acordo com as instruções online em www.ridefox.com.
5. Terá que repetir isto CADA VEZ que substituir pneus ou aros.

⚠ AVISO

Não exceda a pressão máxima do ar:

Para o 32 FLOAT, AX e Rhythm a pressão máxima do ar é 965 kPa (140 psi).

Para o 34 FLOAT, AWL e Rhythm a pressão máxima do ar é 827 kPa (120 psi).

A pressão máxima do ar para o 36 FLOAT é 827 kPa (120psi)

A pressão máxima do ar para o 38 FLOAT é 965 kPa (140 psi)

A pressão máxima do ar para o 40 FLOAT é 827 kPa (120psi)

A mínima pressão de ar é:

256 kPa (40 psi) para todos os garfos FLOAT e Rhythm.

Pressão medida à temperatura ambiente de 21 a 24 °C (70-75 °F).

A gama de temperaturas normais de funcionamento para produtos FOX é de -7 a 60 °C (20-140 °F).



ESPAÇADORES DE VOLUME DA MOLA PNEUMÁTICA (GARFOS FLOAT E RHYTHM APENAS)

Substituir os espaçadores de volume nos garfos FOX FLOAT e Rhythm é um ajuste interno fácil que lhe permite mudar a quantidade de resistência de médio curso e de fim de curso no fundo. Se regulou a sua retração (sag) correctamente e está a ter o curso completo (bater no fundo) com demasiada facilidade, então poderá instalar um ou mais espaçadores para aumentar a resistência a bater no fundo. Se não está a ter o curso completo, então poderá retirar um ou mais espaçadores para diminuir a resistência a bater no fundo.

Nota: Alguns garfos 32 FLOAT vêm com um espaçador de volume oco instalado na fábrica. Os espaçadores de volume normais azuis de 32 mm podem ser acrescentados ao espaçador de volume oco para reduzir ainda mais o volume do ar, se desejar.

1. Retire a tampa do ar.
2. Liberte toda a pressão de ar do garfo, carregando na válvula Schrader.

⚠ AVISO

Os garfos FOX poderão conter altas pressões de ar. Liberte TODA a pressão de ar da câmara principal de ar antes da desmontagem. Se não fizer isto, poderão ser ejetadas do garfo peças e fluidos, o que poderá causar FERIMENTOS GRAVES OU MORTE.

3. **Apenas para garfos 40:** Use uma chave sextavada de 5 mm para desapertar o perno de aperto em pinça da coroa superior do lado do ar.
4. Cuidadosamente desenrosque a tampa superior do garfo com uma chave de caixa de 26 mm com 6 pontos e sem chanfro (para garfos 36, 38 e 40, use uma chave de caixa de 32 mm com 6 pontos e sem chanfro, e para garfos AX use uma ferramenta Park Tool FR-5 ou uma ferramenta FR-5.2 para Cassetes).
5. Puxe para cima para retirar o conjunto da tampa superior da coroa do garfo.
6. Faça deslizar horizontalmente o espaçador ou espaçadores de volume de ar para instalá-los ou removê-los da tampa superior.

⚠ AVISO

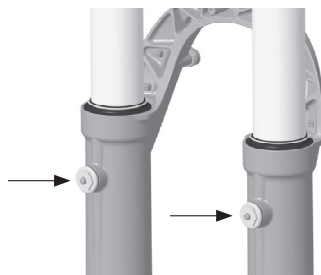
Não exceda o número máximo de espaçadores de volume para o seu garfo. Isso poderá danificar o seu garfo. Consulte as informações sobre espaçador de volume online em www.ridefox.com.

7. Volte a instalar o conjunto da tampa superior na coroa do garfo e aperte a 24,8 N.m (220 pol.-libras) com uma chave de caixa de 26 mm com 6 pontos e sem chanfro (para garfos 36, 38 e 40, use uma chave de caixa de 32 mm com 6 pontos e sem chanfro, e para garfos AX use uma ferramenta Park Tool FR-5 ou uma ferramenta FR-5.2 para Cassetes). **Apenas para garfos 40:** Use uma chave sextavada de 5 mm para apertar o perno de aperto em pinça da coroa superior do lado do ar a 7,3 N.m (65 pol.-libras).
8. Acrescente pressão de ar até ao valor desejado usando uma bomba de alta pressão FOX. Ajuste a retração de acordo com as instruções online em www.ridefox.com.

BOTÃO DE LIBERTAÇÃO DE AR/SANGRADORES NA PARTE DE BAIXO DO BRAÇO (GARFOS 36, 38 E 40)

O Botão de libertação de ar na parte de trás de cada braço do garfo permite que a pressão de ar acumulada (alta) seja libertada para um desempenho ótimo. Com o garfo na posição vertical, prima cada botão durante 5-10 segundos.

IMPORTANTE: Poderá notar que algum óleo de banho possa sair pelos sangradores durante a atuação; isto é normal.



INSTALAÇÃO DO REMOTO

O controlo remoto pode ser instalado quer por baixo do guiador do lado sem cremalheiras, onde normalmente seria colocado um manípulo de mudanças da frente, quer instalado por cima do guiador do lado com cremalheiras. O controlo remoto pode ser usado com dois cabos para controlar o garfo e o amortecedor simultaneamente.

AMORTECEDORES FIT4 (EMPURRAR PARA TRANCAR E EMPURRAR PARA DESTRANCAR)

1. Instale a alavanca do controlo remoto no seu guiador. Não exceda 1,7 N.m (15 pol.-lb). Para guiadores de carbono poderá ser necessário menos momento de torção. Consulte as instruções do fabricante do guiador para o uso com guiadores de carbono. Assegure-se de que verificou se existe espaço livre entre a alavanca do remoto e quaisquer controlos dos travões ou das mudanças.
2. **Apenas para garfos Empurrar para Trancar:** Encaminhe a bainha do cabo desde a alavanca do remoto, em volta da traseira da coroa, até ao batente do cabo na tampa do topo do garfo, e corte ao comprimento correto. Instale uma virola na extremidade da bainha no sítio do remoto.
Apenas para garfos Empurrar para Destrancar: Encaminhe a bainha do cabo desde a alavanca do remoto, cruzando em frente da coroa, até ao batente do cabo na tampa do topo do garfo, e corte ao comprimento correto. Instale virolas em ambas as extremidades da bainha do cabo.
3. Empurre a alavanca de soltar (alívio) para colocar a alavanca do remoto no modo ABERTO. Certifique-se que o terminal do cabo está completamente assente na alavanca do remoto.
4. Instale um curto pedaço de bainha com uma virola entre o rolo afinador em linha e o corpo da alavanca do remoto.
5. Com toda a bainha do cabo completamente assente e sem folga no sistema, lubrifique ligeiramente o cabo interior e enfie-o através da bainha do cabo e à volta da polia (roldana) do remoto no garfo.
6. Enquanto segura esticado o cabo, aperte o perno que o aperta (em pinça), corte o excesso de cabo e engaste (esmague) a extremidade.

AMORTECEDORES GRIP (EMPURRAR PARA TRANCAR)

1. Instale a alavanca do remoto no seu guiador. Não exceda 1,7 N.m (15 pol.-lb). Para guiadores de carbono poderá ser necessário menor momento de torção. Consulte as instruções do fabricante do guiador para o uso com barras de guiador de carbono. Assegure-se de que verificou se existe espaço livre entre a alavanca do remoto e quaisquer controlos dos travões ou das mudanças.
2. Encaminhe a bainha do cabo desde a tampa de cima do garfo, à volta da traseira da coroa, e até à alavanca do remoto, e corte ao comprimento adequado. Instale uma virola na extremidade da bainha no sítio da alavanca do remoto e na tampa de cima do garfo.
3. Instale um curto pedaço de bainha com uma virola entre o rolo afinador em linha e o corpo da alavanca do remoto.
4. Empurre a alavanca maior do remoto para a sua posição atuada, este é o modo FIRME. Certifique-se que o terminal do cabo esteja completamente assente na alavanca do remoto.
5. Use uma chave sextavada de 5 mm para apertar a polia (roldana) do controlo remoto no sentido dos ponteiros do relógio a 0,56 N.m (5 pol.-lb). Enquanto segura a chave sextavada de 5 mm e a polia nesta posição, empurre o garfo para ver se a força de disparo (blow off) é suficiente para a sua preferência. Ajuste a polia no sentido dos ponteiros do relógio para mais força no modo FIRME, ou no sentido contrário ao dos ponteiros do relógio para menos força no modo FIRME, até que consiga a configuração que mais lhe agrada. Anote a posição do parafuso de ajuste da polia, para a configuração que deseja.
6. Com toda a bainha do cabo completamente assente e sem folga no sistema, lubrifique ligeiramente o cabo interior e enfie-o através da bainha do cabo e à volta da polia (roldana) do remoto no garfo. Com a chave sextavada de 5 mm a segurar ainda a polia do remoto na posição para a força no modo FIRME que deseja (do Passo 5), aperte o perno de aperto (em pinça) a 1,13 N.m (10 pol.-lb).
7. Solte a chave sextavada de 5 mm da polia do remoto. Faça um teste à atuação do remoto para se assegurar que ele esteja a funcionar adequadamente. Então corte o excesso de cabo interior e engaste (esmague) a extremidade.
8. O rolo afinador em linha pode ser usado para alterar a força de disparo da tranca. Os ajustes do rolo no sentido dos ponteiros do relógio aumentam a força de disparo, enquanto que os ajustes do rolo no sentido contrário ao dos ponteiros do relógio diminuem a força de disparo.

AMORTECEDORES GRIP (EMPURRAR PARA DESTRANCAR)

1. Instale a alavanca do remoto no seu guiador. Não exceda 1,7 N.m (15 pol-lb). Para guiadores de carbono poderá ser necessário menor momento de torção. Consulte as instruções do fabricante do guiador para o uso com barras de guiador de carbono. Assegure-se de que verificou se existe espaço livre entre a alavanca do remoto e quaisquer controlos dos travões ou das mudanças.
2. Encaminhe a bainha do cabo desde a tampa de cima do garfo, à volta da traseira da coroa, e até à alavanca do remoto, e corte ao comprimento adequado. Instale uma virola na extremidade da bainha no sítio da alavanca do remoto e na tampa de cima do garfo.
3. Instale um curto pedaço de bainha com uma virola entre o rolo afinador em linha e o corpo da alavanca do remoto.
4. Deixe a alavanca atuadora na sua posição não atuada, este é o modo FIRME. Certifique-se que o terminal do cabo esteja completamente assente na alavanca do remoto.
5. Note que o amortecedor Empurrar Para Destrancar está no modo FIRME por pré-definição (default). Empurre o garfo para ver se a força de disparo (blow off) em modo FIRME é suficiente para a sua preferência. Se estiver bem, siga para o Passo 6. Se não estiver bem, use uma chave sextavada de 5 mm na polia (roldana) para ajustar a polia ligeiramente (no sentido dos ponteiros do relógio para mais força em modo FIRME, ou no sentido contrário ao dos ponteiros do relógio para menos força em modo FIRME) até conseguir a configuração que deseja.
6. Com toda a bainha do cabo completamente assente e sem folga no sistema, lubrifique ligeiramente o cabo interior e enfie-o através da bainha do cabo e à volta da polia (roldana) do remoto no garfo. Se for necessário (desde o passo 5), com a chave sextavada de 5 mm a segurar ainda a polia do remoto na posição para a força no modo FIRME que deseja, aperte o perno de aperto (em pinça) a 1,13 N.m (10 pol-lb).
7. Solte a chave sextavada de 5 mm da polia do remoto. Faça um teste à atuação do remoto para se assegurar que ele esteja a funcionar adequadamente. Corte o excesso de cabo interior e engaste (esmague) a extremidade.
8. O rolo afinador em linha pode ser usado para alterar a força de disparo da tranca. Os ajustes do rolo no sentido dos ponteiros do relógio diminuem a força de disparo, enquanto que os ajustes do rolo no sentido contrário ao dos ponteiros do relógio aumentam a força de disparo.

MANUTENÇÃO

A limpeza correta do seu produto FOX entre passeios, além do serviço de manutenção agendado a intervalos regulares, irá ajudar a reduzir os custos de reparação e prolongar a vida do produto.

Para obter mais informações sobre procedimentos de manutenção, visite www.ridefox.com/OwnersManuals, ou contacte a FOX para um serviço de manutenção completo (1.800.369.7469 ou mtbservice@ridefox.com).

Itens mínimos recomendados para manutenção	Antes de andar de bicicleta	Depois de andar de bicicleta	Regularmente	Cada 125 horas ou anualmente, ou o que ocorrer primeiro*
Inspeccione todo o exterior do seu garfo/amortecedor. O amortecedor não deverá ser usado se qualquer das peças exteriores parecer estar danificada. Contacte o seu concessionário local ou a FOX para reparações.	X			
Verifique que as alavancas de desprendimento rápido estejam adequadamente ajustadas e apertadas.	X			
Verifique o ajuste da sua caixa de direção. Se estiver solta, ajuste-a de acordo com as recomendações do seu fabricante de bicicletas.	X			
Verifique que todos os cabos e tubos flexíveis de travões estejam corretamente fixados. Faça um teste do funcionamento correto dos seus travões dianteiro e traseiro em terreno nivelado.	X			
Lave o exterior apenas com sabão suave e água, e depois limpe com uma toalha macia para secar. Não use um dispositivo de lavagem a alta pressão nem borrife água diretamente no vedante/junção do corpo do amortecedor.		X		
Verifique as regulações de amortecimento e de retração (sag). Inspeccione os controlos para detetar danos visuais e função.			X	
Manutenção completa (inspeção completa interna/externa, reconstrução do amortecedor, substituição do vedante de ar para amortecedores pneumáticos, reconstrução da mola pneumática, substituição do óleo de banho e do retentor/ raspador).				X

*Para os que conduzem lift-accessed DH, Park ou Extreme Freeride ou em condições ambientais extremas de molhado/lamacento ou seco/poeirento, em que sejam atirados detritos do trilho contra o garfo no trilho, a FOX aconselha os ciclistas a efectuar manutenção mais cedo do que se recomenda acima, conforme seja necessário. Se ouvir, vir ou sentir alguma coisa fora do normal, pare imediatamente a bicicleta e contacte um Centro Autorizado de Serviço da FOX para obter manutenção apropriada.

VEJA INFORMAÇÕES E VÍDEOS ADICIONAIS:

ridefox.com

Fox Factory, Inc., uma companhia da Califórnia que tem escritórios em 915 Disc Dr, Scotts Valley, CA 95066 (“Fox”), dá a seguinte GARANTIA LIMITADA relativa aos seus produtos de suspensão:

GARANTIA LIMITADA FOX

GARANTIA LIMITADA DE UM (1) ANO EM PRODUTOS DE SUSPENSÕES

Sujeito às limitações, termos e condições aqui indicadas, a Fox garante, ao proprietário original a retalho (o consumidor) de cada produto de suspensão novo Fox, que o produto de suspensão Fox, quando novo, está livre de defeitos em materiais e de mão de obra. Esta garantia limitada expira após um (1) ano desde a data da compra a retalho do produto de suspensão Fox original, de um concessionário autorizado Fox ou de um Fabricante Original de Equipamento autorizado Fox, onde a suspensão Fox é incluída como equipamento original num veículo comprado.

TERMOS DA GARANTIA

Esta garantia limitada está condicionada a que o produto de suspensão Fox seja operado sob condições normais e apropriadamente mantido conforme especificado pela Fox. Esta garantia limitada só é aplicável a suspensões Fox compradas novas de uma fonte autorizada Fox, e é concedida apenas ao proprietário original a retalho (o consumidor) do produto de suspensão Fox novo, e não é transferível a proprietários subsequentes.

Se for determinado, pela Fox à sua única e final discrição, que um produto de suspensão Fox está coberto por esta garantia limitada, ele será reparado ou substituído, por um modelo comparável, à exclusiva opção da Fox, que será conclusiva e vinculante. ESTE É O REMÉDIO EXCLUSIVO SOB ESTA GARANTIA LIMITADA. TODOS E QUAISQUER OUTROS REMÉDIOS E COMPENSAÇÃO POR DANOS QUE POSSAM DE OUTRO MODO SER APLICÁVEIS AO ABRIGO DESTA GARANTIA LIMITADA SÃO EXCLUÍDOS, INCLUINDO, MAS SEM SE LIMITAR A, COMPENSAÇÃO POR DANOS ACIDENTAIS OU CONSEQUENCIAIS OU COMPENSAÇÃO PUNITIVA.

Esta garantia limitada não se aplica a desgaste e deterioração normais, avarias ou falhas que resultem de abuso, negligência, montagem incorreta, alterações ou modificações, reparações ou manutenção incorretas ou não autorizadas, choques, acidentes ou colisão, ou outro uso anormal, excessivo ou indevido.

Esta garantia limitada dá ao consumidor direitos legais específicos. O consumidor poderá também ter outros direitos legais ao abrigo das leis nacionais aplicáveis que não são afectadas por esta garantia limitada. Se for determinado por um tribunal com jurisdição competente que uma certa provisão desta garantia limitada não se aplica, tal determinação não deverá afectar quaisquer outras disposições desta garantia limitada, e todas as outras disposições deverão permanecer em efeito.

ESTA É A ÚNICA GARANTIA DADA PELA FOX PARA OS SEUS PRODUTOS E COMPONENTES DE SUSPENSÕES, E NÃO HÁ GARANTIAS QUE SE ESTENDAM PARA ALÉM DA DESCRIÇÃO AQUI FEITA. QUAISQUER GARANTIAS QUE POSSAM DE OUTRO MODO SER IMPLÍCITAS POR LEI INCLUINDO, MAS SEM SE LIMITAR A, QUALQUER IMPLÍCITA GARANTIA DE COMERCIALIDADE OU ADEQUAÇÃO PARA UM PROPÓSITO EM PARTICULAR SÃO EXCLUÍDAS.

Esta garantia limitada será governada exclusivamente pelas leis do Estado da Califórnia.

Quando fizer uma reclamação ao abrigo desta Garantia Limitada, ser-lhe-á solicitado que forneça a um Centro de Serviço de Assistência autorizado da FOX:

1. O Produto (ou a peça afetada) e
2. Uma cópia da prova original de compra, que indique claramente o nome e endereço do vendedor, a data e local da compra, o número de peça do produto e, se for utilizado, um número de série. Se os produtos FOX forem vendidos como parte de uma bicicleta completa, a marca, modelo e ano do modelo da bicicleta e o seu número de série deverão ser incluídos.

恭喜您!

感谢您为自己的自行车选择 FOX 避震产品。FOX 避震产品由美国加州圣克鲁兹县业界最好的专家设计并测试。

请按照本用户手册中提供的指引和说明正确地安装、使用和保养您的新 FOX 产品。

欲知更多信息和视频指引, 请访问网站 <http://www.ridefox.com/OwnersManuals>, 或致电 1.800.369.7469 联系 FOX 美国公司, 发送电子邮件至 mtbservice@ridefox.com, 或在 <http://www.ridefox.com/GlobalDistributors> 上联系 FOX 国际授权维修中心。如果您无法访问互联网, 则请联系 FOX, 为您的产品索取在线 FOX 用户手册的免费纸质版。

警告和安全隐患

FOX 产品应由专业自行车维修技师遵照 FOX 安装规范安装。前叉若安装不当则可能出现故障, 导致骑行者失控并受到严重甚至致命的伤害。

改动或改装 FOX 产品可能使其出现故障, 进而导致人员严重受伤甚至死亡。请勿改动或改装 FOX 产品的任何零部件 (包括卷簧、下管叉桥、又肩、舵管、上管、下管、空气罐、座杆、气室垫片、内部构件、轴缝垫片、轴适配器或任何其他零部件)。

FOX 自行车避震器产品还可用在 1 级 (美国命名) 和 11e-A (欧盟命名) 电动自行车上。

FOX E-BIKE+ 避震器产品可用在 3 级 (美国命名) 和 11e-B (欧盟命名) 电动自行车上。

请勿将任何 FOX 32 AX、32 mm FLOAT、32 mm Step-Cast 或 34 mm Step-Cast 前叉用在最大助力速度超过 32 km/h (20 mph) 或最大系统重量超过 121 Kg (266 lb) 的任何踏板助力自行车或机动车上。

请勿将任何 FOX 自行车避震器产品用在最大助力速度超过 32 km/h (20 mph) 或最大系统重量超过 140 Kg (308 lb) 的任何踏板助力自行车或机动车上。

请勿将任何 FOX E-BIKE+ 避震器产品用在最大助力速度超过 45 km/h (28 mph) 或最大系统重量超过 169 Kg (372 lb) 的任何踏板助力自行车或机动车上。请勿将任何 FOX 自行车避震器产品用在任何配有风门的机动车上。

误用 FOX 避震器产品可导致避震器出现故障, 造成财产损失、人员严重伤害甚至死亡, 且无法享受质保。

请勿将 FOX 自行车避震产品用于任何可搭载一名以上操作者或骑行者的车辆上, 如双人自行车或载重型自行车等。

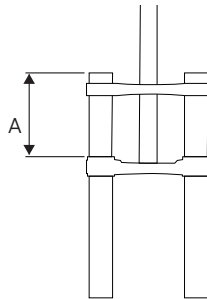
请勿拆除或更换舵管。此举可能导致自行车失控, 造成人员严重伤害甚至死亡。

请勿尝试单独从又肩上拆卸或更换舵管或上管。改动安装在一起的又肩、舵管或上管可

能导致组件故障和自行车失控, 并造成人员严重伤害甚至死亡。

舵管的截短处请勿低于车架最上端安装部件的下方三 (3) mm。如果舵管长度截得太短, 则必须更换又肩 / 舵管 / 上管组件! 使用夹紧舵管咬合太短的前叉, 可能导致前叉出现紧急故障和自行车失控, 并造成人员严重伤害甚至死亡。

FOX 27.5" 和 29" 40 mm 上管位置已由厂方设置好, 并安全留出一个触底 2.50" 轮胎的间隙。“又肩顶部”到“上管顶部”的标准测距是 137.5 mm (A)。“又肩顶部”到“上管顶部”的测距请勿超过 137.00 mm。到上管的测距大于 137.00 mm 会减少轮胎到又肩的空隙, 导致骑行者失控, 并造成人员严重伤害甚至死亡。



切勿将“又肩顶部”到“上管顶部”的测距降至 127 mm 以下 (A)。到上管的测距小于 127 mm 可能使产品出现故障, 进而导致人员严重受伤甚至死亡。

在未首先将“又肩顶部”到“上管顶部”的测距调节至最 132 mm (A) 之前, 切勿安装 FOX 40 挡泥板。配备 FOX 40 挡泥板的 FOX 40 前叉从“又肩顶部”到“上管顶部”的测距必须精确到 132 mm, 否则可能造成人员严重伤害甚至死亡。

如果舵管上存有任何手指甲可以感觉到的裂纹或凹槽, 则该又肩 / 舵管组件必须更换。裂纹或凹槽可能导致舵管出现故障和自行车

失控，并造成人员严重伤害甚至死亡。

请勿尝试将 FOX 前叉舵管的螺纹截短到无螺纹段。将螺纹截短到无螺纹段可能导致舵管出现故障和自行车失控，并造成人员严重伤害甚至死亡。

请勿在舵管竖管下安装超过 30 mm 高的舵管竖管垫片，因为此等条件下可能导致舵管出现故障和自行车失控，并造成人员严重伤害甚至死亡。

请勿让线缆或线管等物件接触前叉舵管。如果您自行车的线缆和线管属于内部走线，则请参阅您自行车厂商用户指南上的安全说明。如果线缆和 / 或线管接触舵管，则可能导致舵管出现故障和自行车失控，并造成人员严重伤害甚至死亡。

如果线管长期接触前叉叉肩，则会导致叉肩磨损。如果接触无可避免，应使用聚氯乙烯绝缘带或类似防护物将接触处包裹起来。FOX 质保不包括对 FOX 前叉叉肩磨损的维修。

不当维修或在 FOX 前叉和避震器上安装非 FOX 更换件可能导致产品出现故障，造成人员严重伤害甚至死亡。

由于前叉轴开口之间会积灰尘和污垢，请在安装车轮前始终检查并清洁这些区域。轮毂和车轴安装不当可能导致人员严重伤害甚至死亡。

切勿使用大功率清洗剂清洁 FOX 产品。

如果您的前叉漏油，顶部过高或底部过低，或发出异常噪声，则请立即停止骑行，并联系 FOX 或 FOX 授权维修中心进行检查或维修。

对于 32 AX 前叉，必须在充满气之轮胎的边缘到挡泥板或叉肩和舵管的底部之间留出至

少 8.5 mm 的间隙。对于 32 AX 前叉，请勿使用尺寸大于 700 c x 50 mm 的轮胎。挡泥板可以与尺寸不超过 700 c x 45 mm 的轮胎搭配使用。尺寸大于 700 c x 45 mm 的轮胎绝不可与挡泥板搭配使用；否则无法提供充足的间隙。如果未能提供充足的间隙，则可能导致前叉被完全压紧时叉肩或挡泥板受到轮胎的挤压，造成人员严重受伤甚至死亡。

AWL 前叉上安装的车灯必须与所有挡泥板组件和活动部件之间保留至少 8.5 mm 的间隙。如果未能在灯座与挡泥板或其它活动部件之间保留至少 8.5 mm 的间隙，则可能导致前叉被完全压紧时叉肩或挡泥板受到轮胎的挤压，造成人员严重受伤甚至死亡。

请按照刹车厂商的说明正确安装和调节刹车系统。如果未能正确安装和调节刹车，则可能导致自行车失控，并造成人员严重伤害甚至死亡。

若出现致使前叉或避震器任何部分产生折弯和 / 或断裂的情况，您的前叉或避震器可能出现故障。任何致使漏气和 / 或漏油的情况，如撞车事故或长期未用等，也都可能导致您的前叉或避震器出现故障。前叉或避震器一旦被损坏和 / 或出现泄漏，则可能出现故障，导致撞击事故和人员严重伤害甚至死亡。如果您怀疑您的前叉或避震器已被损坏，则请立即停止骑行并联系 FOX 进行检查和维修。

安装在叉上的托架可能损坏前叉腿和 / 或勾爪，尤其是当前叉处于偏载和 / 或后轮没有稳固在托架中的时候。损坏的前叉腿和 / 或勾爪可能出现故障，导致撞车事故和人员严重伤害甚至死亡。如果您怀疑您的前叉已被损坏，则请联系 FOX 进行检查和维修。

前叉安装

1. 从自行车上拆下现有的前叉。从旧前叉上卸下叉肩座圈。测量旧前叉的舵管长度，并将此测量值标记在新的 FOX 前叉舵管上。如果您没有旧前叉做参考，测量碗组堆叠高度（碗组零件和车架头管）并参阅竖管厂商的说明，确保为竖管留出足够的夹紧表面。

2. 将舵管截短至适合的长度。

适用于单叉肩转向前叉（32、34、36 和 38 mm）和双叉肩转向前叉（40 mm）的舵管安装式竖管：标记该舵管，并将其截短至适当长度。

适用于双叉肩转向前叉（40 mm）的直接安装式竖管：在上叉肩的顶部边缘处标记舵管。卸下前叉，在标记线下 3 mm 处进行截短。这 3 mm 的距离能让竖管盖轻巧地预锁紧碗组，以防止其自由移动。

警告

在进行任何截短前，请参阅碗组和竖管厂商的说明，以确保留有足够的舵管长度锁紧转向杆和竖管。安装不当可能导致竖管从转向杆上脱离，造成自行车失控和人员严重伤害甚至死亡。

3. 安装碗组。请始终使用新的无螺纹碗组并遵照碗组厂商的说明。

- 对于 1 1/2" 舵管，使用 39.8 mm 叉肩座圈；对于 1 1/8" 舵管，则使用 29.9 mm 叉肩座圈。使用叉肩座圈安装器将叉肩座圈牢固地安装在叉肩顶部。
- 使用星状螺母安装工具将星状螺母安装在舵管顶部下 4-10 mm 处。
- 将前叉安装到自行车上。

适用于单双叉肩转向 FOX 前叉：请按照碗组厂商的说明安装碗组轴承零件和竖管，并相应调节碗组预载，直到您感觉没有过度的自由移动或轴承拉力。将竖管夹紧螺栓锁紧至竖管厂商的指定扭矩值。

适用于双叉肩转向 FOX 前叉：将转向缓冲器安装到上管上。用扭矩扳手将所有上下叉肩夹紧螺栓拧紧至 7.3 Nm (65 in-lb)。

注：FOX 40 既可与直接安装式竖管一道使用，也可与舵管安装式竖管一道使用。直接安装式竖管对叉肩螺栓的扭矩值绝不能超过 12.4 Nm (110 in-lb)。

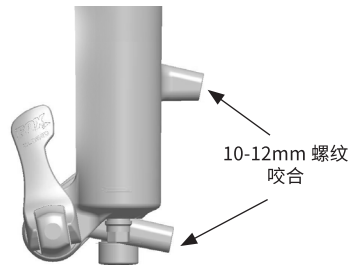
警告

32 AX 前叉安装到自行车上时，下管叉桥必须朝着自行车后方。所有其它 FOX 前叉安装到自行车上时，下管叉桥必须朝着自行车前方。前叉若安装不当，则可能出现故障，导致骑行者失控并受到严重甚至致命的伤害。

- 32 Step Cast 27.5" 前叉、34 Step Cast 前叉和 AX 前叉的最大刹车碟片尺寸为 180 mm。所有其他 32 和 34 FOX 前叉（包括 32 Step Cast 29" 前叉）能使用的最大刹车碟片尺寸为 203 mm。所有 AWL、36、38 和 40 FOX 前叉能使用的最大刹车碟片尺寸为 230 mm。

警告

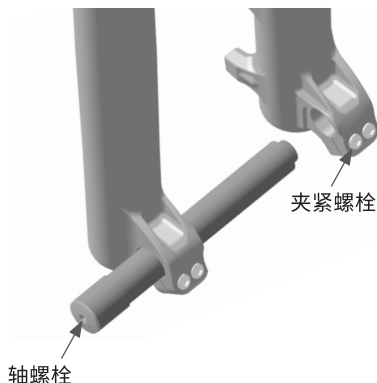
盘式刹车钳安装螺栓与前叉的螺纹咬合长度必须有 10-12 mm。使用扭矩扳手将刹车钳安装螺栓拧紧至碟式刹车厂商规定的扭矩值，但不能超过 10.2 Nm (90 in-lb)。安装不当可能导致刹车出现故障，造成自行车失控和人员严重受伤甚至死亡。



- 将前碟式刹车软管或线管布线至下管内部，并穿过所提供的碟式刹车线管固定器。用扭矩扳手将碟式刹车软管固定器螺钉拧紧至 0.9 Nm (8 in-lb)。

20x110 BOOST 通轴安装 (40 MM 前叉)

- 将前轮装入勾爪，并将车轴滑入勾爪和轮毂。
- 用 5 mm 六角扳手将轴螺栓拧紧至 2.2 Nm (19 in-lb)。
- 将非传动侧勾爪的两个夹紧螺栓拧紧至 2.2 Nm (19 in-lb)。
- 按压前叉数次，确保下管坐入低摩擦点。
- 将传动侧勾爪的两个夹紧螺栓拧紧至 2.2 Nm (19 in-lb)。



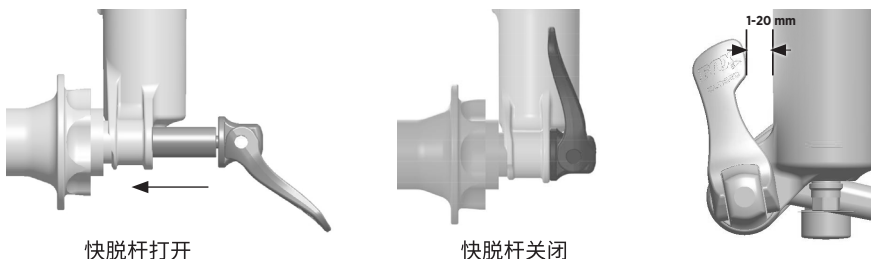
15 MM 快脱机构安装 (32、34、AWL 和 36 RHYTHM 前叉)

15x100 mm 和 15x110 mm 快脱机构 (QR) 车轴的车轮安装方法相同。

1. 将前轮安装到前叉钩爪中。将车轴滑入非传动侧勾爪和轮毂。
2. 打开轴旋钮。
3. 将车轴顺时针旋入轴螺母 5-6 整圈。
4. 合拢旋钮。如果旋钮在手掌上留下印迹，则说明其已充分拧紧。
5. 合拢的旋钮位置必须位于前叉腿前 1-20 mm 之间。
6. 如果在推荐位置（前叉前 1-20 mm）合拢，但旋钮未充分拧紧或拧紧过度，则参阅下一节的调节说明。

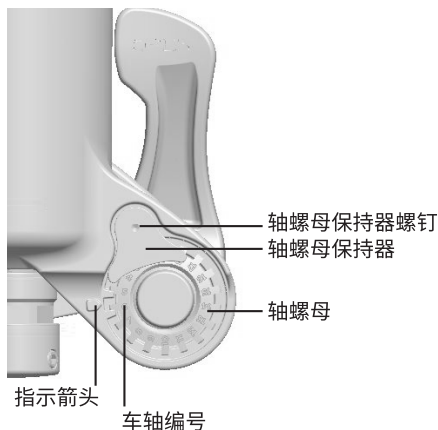
警告

请仅使用手拧紧。请勿使用任何工具来紧固快脱机构旋钮。旋钮过紧可能导致车轴或前叉勾爪损坏，引发一个或多个此等部件突然出现故障，并造成人员严重伤害甚至死亡。若未能适当地固定车轴，则可能导致车轮脱离自行车，造成人员严重伤害甚至死亡。



调整快脱机构 (32、34 和 36 RHYTHM 前叉)

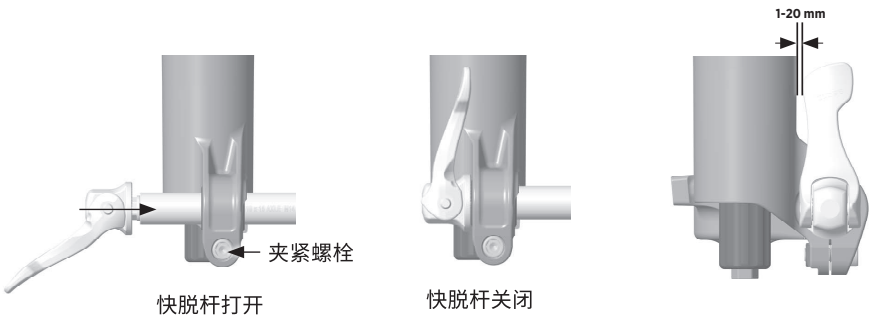
1. 请注意车轴编号，即指示箭头处的数字。
2. 用 2.5mm 六角扳手旋松轴螺母保持器螺钉大约 4 圈，但请勿完全卸下螺钉。
3. 将快脱机构旋钮移至打开位置，将车轴旋松约 4 圈。
4. 将车轴从旋钮打开侧推入。这可将轴螺母保持器推出，让您可以将其旋转移开。
5. 继续推车轴并顺时针旋转轴螺母以增加旋钮张力，或逆时针旋转轴螺母以减少旋钮张力。
6. 将轴螺母保持器放回至合适位置，将螺栓拧紧至 0.9 Nm (8 in-lb)。
7. 对照车轴安装说明，核实是否安装和调节恰当。



15 MM 快脱机构安装 (36 和 38 MM 前叉)

1. 旋松夹紧螺栓，然后将前轮安装到前叉勾爪中。将车轴滑入传动侧勾爪和轮毂。
2. 打开车轴快脱杆和夹紧螺栓。
3. 将车轴顺时针旋入轴螺母 5-6 整圈。
4. 合拢快脱杆。快脱杆必须在手掌上留下印迹，方能表明其已充分拧紧。
5. 合拢后的快脱杆位置必须位于前叉腿前方 1-20 mm 之间。
6. 如果在推荐位置（前叉前方 1-20 mm）合拢，但快脱杆未充分拧紧或拧紧过度，则参阅下一节的调节说明。
7. 按压前叉数次，确保下管坐入低摩擦点。
8. 将传动侧勾爪的夹紧螺栓拧紧至 5.1 Nm (45 in-lb)。

重要提示：您只需在安装第一个车轮期间拧紧夹紧螺栓。拧紧夹紧螺栓后，您可以卸下快脱杆并更换，勿旋开或重新拧紧夹紧螺栓。更换车轮或轮毂时，可能需要按照这些安装说明从第 1 步开始调节夹紧螺栓。



调整快脱机构 (AWL、36 和 38 前叉)

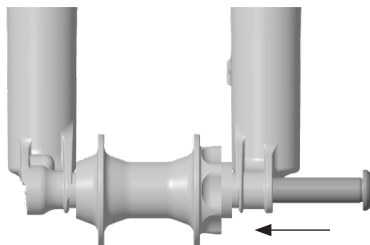
1. 请注意车轴快脱杆需要往哪个方向转动才能实现适当的朝向。
2. 打开前叉中的车轴快脱杆。
3. 握住打开和静止状态下的快脱杆，使之无法转动，将 4 mm 六角扳手放在轴的端部中央调节快脱杆位置。4 mm 调节螺母已设置妥当后，快脱杆在完全合拢至垂直位置之前 90 度时您就应该能开始感觉到轴的张力。
4. 对照车轴安装说明进行检查，以核实是否安装和调节得当。

KABOLT 安装 (AX、32、34 和 36 RHYTHM 前叉)

15x100 mm、15x110 mm 和 12x100 mm Kabolt 车轴的车轮安装方法相同。

重要提示：为 2022 款 32 和 34 前叉以及 2021 款 36 Rhythm 前叉设计的 Kabolt 不可用于 2022 款 36 和 38 前叉。

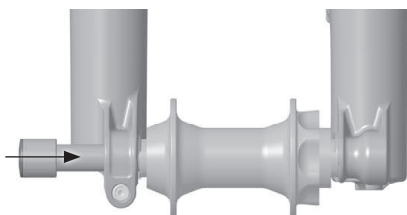
1. 将前轮安装到前叉勾爪中。将 Kabolt 车轴滑入非传动侧勾爪和轮毂中。
2. 用 6 mm (如果是 AX 前叉, 则用 5 mm 六角扳手) 六角扳手按 Kabolt 头部蚀刻的扭矩规格将 **Kabolt** 车轴 (顺时针) 拧紧。



KABOLT X 安装 (36 和 38 前叉)

重要提示：KaboltX 只可用于 2021+ 款 36 和 38 前叉。

1. 旋松夹紧螺栓, 然后将前轮安装到前叉勾爪中。将 KaboltX 车轴滑入传动侧勾爪和轮毂。
2. 用 6 mm 六角扳手按 Kabolt 头部蚀刻的扭矩规格将 Kabolt 车轴 (顺时针) 拧紧。
3. 按压前叉数次, 确保下管坐入低摩擦点。
4. 将传动侧勾爪的夹紧螺栓拧紧至 5.1 Nm (45 in-lb)。



轮胎间隙测试

⚠ 警告

如果要使用挡泥板，则在执行轮胎间隙测试时应当已安装挡泥板。

1. 通过按压美式嘴阀彻底释放前叉中的空气压力。

⚠ 警告

FOX 前叉可能有很高的气压。拆卸前请彻底释放主气室中的空气压力。否则，可能导致零件或油液从前叉高速射出，造成人员严重伤害甚至死亡。

2. 完全按压前叉。
3. 测量充满气之轮胎的边缘到挡泥板、叉肩、前叉叉桥和舵管之间的距离。整个轮胎周围至少必须有 8.5 mm 的间隙。

⚠ 警告

如果未能在充满气之轮胎的边缘到挡泥板、叉肩、前叉叉桥和舵管之间留出至少 8.5 mm 的间隙，则可能导致前叉被完全压紧时叉肩受到轮胎的挤压，造成人员严重受伤甚至死亡。

4. 用 FOX 压力泵将气压增加到您理想的设定值。根据 www.ridefox.com 上的说明设置预压。
5. 您在每次更换轮胎或钢圈时必须重复此测试。

⚠ 警告

请勿超过最大气压：

32 FLOAT、AX 和 Rhythm 的最大空气压力为 140 psi。

34 FLOAT、AWL 和 Rhythm 的最大空气压力为 120 psi。

36 mm FLOAT 的最大空气压力为 120 psi。

38 mm FLOAT 的最大空气压力为 140 psi。

40 mm FLOAT 的最大空气压力为 120 psi。

最低气压为：

所有 FLOAT 前叉和 Rhythm 前叉均为 40 psi。

压力测量时的环境温度为 70-75°F (约 21°C 至 24°C)。

FOX 产品的正常工作温度范围为 20-140°F (约 -6.6°C 至 60°C)。



空气弹簧容量垫片（仅适用于 FLOAT 和 RHYTHM 前叉）

更换 FOX FLOAT 和 Rhythm 前叉中的容量垫片是简单的内部调节，能改变行程中点和触底阻力。如果您已设定合适的预压并且很容易达到全程（触底），则您可以安装一个或多个垫片以增加触底阻力。如果您从未达到全程，则您可卸下一个或多个垫片以减少触底阻力。

注：有些 32 mm FLOAT 前叉在出厂时装有空心垫片。如果需要，还可在空心垫片上添加标准蓝色 32 mm 容量垫片以进一步减少空气容量。

1. 卸下空气盖。
2. 按压美式嘴阀，将前叉中的气压彻底释放。

⚠ 警告

FOX 前叉可能有很高的气压。拆卸前请彻底释放主气室中的空气压力。否则，则可能导致零件或油液从前叉高速射出，造成人员严重伤害甚至死亡。

3. **仅适用于 40 mm 前叉：**用 5 mm 六角扳手旋松空气侧上叉肩夹紧螺栓。
4. 用六角无倒角 26 mm 套筒（对于 36、38 和 40 前叉，则用六角无倒角 32 mm 套筒；对于 AX 前叉，则用 Park Tool FR-5 或 FR-5.2 Cassette 工具）小心地旋松前叉上的顶盖。
5. 向上拉顶盖组件，将其从前叉又肩卸下。
6. 水平滑动空气容量垫片，将其安装到顶盖上或从顶盖卸下。

⚠ 警告

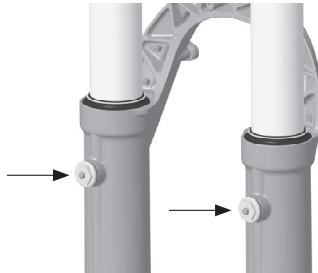
空气容量垫片的安装数量不得超过 FOX 工厂指定的最大数量。否则会导致您的前叉受损。容量垫片信息请参阅 www.ridefox.com。

7. 将顶盖组件重新安装到前叉又肩上，并用六角无倒角 26 mm 套筒（对于 36、38 和 40 mm 前叉，则用六角无倒角 32 mm 套筒；对于 AX 前叉，则用 Park Tool FR-5 或 FR-5.2 Cassette 工具）拧紧至 24.8 Nm (220 in-lb)。
8. 用 FOX 压力泵将气压增加到您的理想设定值。根据 www.ridefox.com 上的说明设置预压。

空气释放按钮 / 下管排空器（36、38 和 40 MM 前叉）

每个前叉腿后方的空气释放按钮可让已积累的空气压力得到释放，以获得理想的性能。将前叉保持直立，并握住每个按钮 5-10 秒。

重要提示：您可能会注意到致动过程中有一些浴油从排空器流出，这是正常现象。



线控安装

遥控器既可安装在非传动侧车把下方前指拨通常安放的位置，也可安装在传动侧车把上方。遥控器可使用双线缆，同时控制前叉和避震器。

FIT4 阻尼器 PUSH-TO-LOCK（拨动锁死型）和 PUSH-TO-UNLOCK（拨动解锁型）

1. 将线控杆安装到车把上。扭矩请勿超过 1.7 Nm (15 in-lb)。碳素车把需要的扭矩可能更小。请参阅碳素车把的厂商说明。确保检查线控杆与所有刹车或指拨控件之间的间隙。
2. **仅适用于 Push-to-Lock（拨动锁死型）前叉：**将线管从线控杆开始布线，绕过叉肩背面，一直到前叉顶盖线管座，然后将线管切割至合适的长度。在线控杆处的线管末端安装一个金属箍。**仅适用于 Push-to-Unlock（拨动解锁型）前叉：**将线管从线控杆开始布线，绕过叉肩正面，一直到前叉顶盖线管座，然后将线管切割至合适的长度。在线管两端分别安装一个金属箍。
3. 推动快脱杆，将线控杆设置到 OPEN（开放）模式。确保线头完全卡入线控杆内。
4. 用带一个金属箍的短线管连接线缆上的筒式调节器和线控杆体。
5. 确保所有线管完全固定，整个系统无松弛，然后轻轻地润滑内部线缆，并将其穿入线管并绕过前叉线控滑轮。
6. 紧握线缆，紧固夹紧螺栓，切除多余的线缆并封好线端。

GRIP 阻尼器（PUSH-TO-LOCK（拨动锁死型））

1. 将线控杆安装到车把上。扭矩请勿超过 1.7 Nm (15 in-lb)。碳素车把的扭矩可能还要更小一些。请参阅碳素车把的厂商说明。确保检查线控杆与所有刹车或指拨控件之间的间隙。
2. 将线管从前叉顶盖开始布线，绕过叉肩背面，一直到线控杆，然后将线管切割至合适的长度。分别在线控杆和前叉顶盖的线管末端安装一个金属箍。
3. 用带一个金属箍的短线管，连接线缆上的筒式调节器和线控杆体。
4. 将较大的线控杆推至致动位置，此时处于锁止 (FIRM) 模式。确保线头完全卡入线控杆内。
5. 用 5 mm 六角扳手将线控滑轮顺时针转动至约 0.56 Nm (5 in-lb)。将 5 mm 六角扳手和滑轮稳固在此位置，按压前叉，以核实此撞开力是否是您所期望的。顺时针调节滑轮，以增大锁止 (FIRM) 模式力度；逆时针调节滑轮，以减少锁止 (FIRM) 模式力度。直至达到您所需的设置。达到您所需的设置时，请留意相应的滑轮定位螺钉位置。
6. 确保所有线管完全固定，整个系统无松弛。然后轻轻地润滑内部线缆，并将其旋入线管并绕过前叉线控滑轮。用 5 mm 六角扳手仍然使线控滑轮稳固在相应位置【此位置可实现您所需的锁止 (FIRM) 模式力度（从第 5 步）】，将夹紧螺栓拧紧至 1.13 Nm (10 in-lb)。
7. 将 5 mm 六角扳手从线控滑轮松开。测试线控的致动功能，以确保线控能正常致动。切除多余的内部线缆，并封好线端。
8. 线缆上的筒式调节器可用来改变锁止撞开力。顺时针转动筒式调节器可增大撞开力，而逆时针转动筒式调节器可减少撞开力。

GRIP 阻尼器 (PUSH-TO-UNLOCK (拨动解锁型))

1. 将线控杆安装到车把上。扭矩请勿超过 1.7 Nm (15 in-lb)。碳素车把的扭矩可能还要更小一些。请参阅碳素车把的厂商说明。确保检查线控杆与所有刹车或指拨控件之间的间隙。
2. 将线管从前叉顶盖开始布线，绕过叉肩背面，一直到线控杆，然后将线管切割至合适的长度。分别在线控杆和前叉顶盖的线管末端安装一个金属箍。
3. 用带一个金属箍的短线管，连接线缆上的筒式调节器和线控杆体。
4. 让致动杆留在未致动位置，此时处于锁止 (FIRM) 模式。确保线头完全卡入线控杆内。
5. 请注意，Push-to-Unlock 阻尼器默认处于锁止 (FIRM) 模式。按压前叉，以核实此锁止 (FIRM) 模式撞开力是否是您所期望的。如果是，请执行第 6 步。如果不是，用 5 mm 六角扳手放在滑轮上，对滑轮进行略微调节 (顺时针调节滑轮，以增大锁止 (FIRM) 模式力度；逆时针调节滑轮，以减少锁止 (FIRM) 模式力度)，直至达到您所需的设置。
6. 确保所有线管完全固定，整个系统无松弛。然后轻轻地润滑内部线缆，并将其旋入线管并绕过前叉线控滑轮。如有必要 (从第 5 步)，用 5 mm 六角扳手仍然使线控滑轮稳固在相应位置 (此位置可实现您所需的锁止 (FIRM) 模式力度)，将夹紧螺栓拧紧至 1.13 Nm (10 in-lb)。
7. 将 5 mm 六角扳手从线控滑轮松开。测试线控的致动功能，以确保线控能正常致动。切除多余的内部线缆，并封好线端。
8. 线缆上的筒式调节器可用来改变锁止撞开力。顺时针转动筒式调节器可减少撞开力，而逆时针转动筒式调节器可增大撞开力。

保养

除定期保养服务外,在骑行间隙适当清洁您的 FOX 产品有助于节省维修费用并延长产品寿命。

如需进一步了解保养步骤方面的信息,请访问 www.ridefox.com/OwnersManuals, 或与 FOX 联系以获取全面的保养服务 (1.800.369.7469 或 mtbservice@ridefox.com)。

建议的基本保养项目	每次骑行前	每次骑行后	定期	每 125 小时骑行或每满一年,以先发生的为准 *
检查前叉 / 避震器的整个外部。若任何外部零部件有损坏迹象,则前叉 / 避震器不能继续使用。请与您当地的经销商或 FOX 联系维修事宜。	X			
检查快脱机构旋钮和轴是否适当调节并拧紧。	X			
检查车头碗组调节。若已松动,则应根据您的自行车厂商的建议进行调节。	X			
检查所有刹车线缆或软管是否适当固定。在平地上测试前后刹车的功能是否正常。	X			
仅用温和的肥皂和水清洁外部,并用柔软的毛巾擦干。请勿使用高压清洗器或直接向密封圈 / 避震器身结合处喷水。		X		
检查预压和阻尼器设置。检查是否有可目测的损坏或功能失常。			X	
全面保养 (全面内部 / 外部检查、阻尼器重新组装、空气避震器密封圈更换、空气弹簧重新组装、浴油和防尘装置更换)。				X

* 对于那些进行高山速降骑行、山地车公园骑行、极限自由骑行,或在极度潮湿 / 泥泞或干燥 / 多尘环境中骑行且在路途中有尘土溅喷到前叉上的骑行者,FOX 鼓励其根据实际需要在前述推荐日期前进行保养。若您听到、看到或感觉到异常情形,请立即停止骑行并与 FOX 授权维修中心联系以进行适当的保养。

更多信息和视频见:

ridefox.com

美国加利福尼亚州办公地址位于 915 Disc Dr, Scotts Valley, CA 95066 的 FOX Factory, Inc. (“FOX”) 对其避震产品提供以下有限质保：

FOX 有限质保

避震产品一 (1) 年有限质保

受限于本质保所含限制、条款与条件，FOX 向每一位新的 FOX 避震产品的最初零售购买者（消费者）保证，FOX 新避震产品在材质和工艺上无瑕疵。本质保有效期为 FOX 原避震产品从 FOX 授权经销商或授权原始设备生产商处（FOX 避震产品作为原始设备配在所购车辆上）零售购买之日起一 (1) 年。

质保条款

本有限质保的前提是 FOX 避震产品在正常条件下工作并按照 FOX 的说明适当维护。本有限质保仅适用于从 FOX 授权资源处新购的 FOX 避震产品，仅向 FOX 新避震产品的最初零售购买者（消费者）提供，不得向后续用户转让。

如 FOX 根据其唯一的、最终的自由裁量确定一项 FOX 避震产品在本质保范围内，则该产品将由 FOX 全权选择用相当型号的配件修理或更换，这一选择将是最终的、约束性的。这是本质保项下的排他性救济。本质保项下任何和其他可能适用的救济和损害赔偿均在此排除，包括但不限于偶然性或后果性的损害赔偿或惩罚性赔偿。

本有限质保不适用于正常磨损以及因滥用、过失、不当安装、更改或改装、不当或未经授权的修理或保养、撞车、事故或碰撞或其他非正常、过度或不当使用导致的故障或功能失常。

本有限质保给予消费者特定的法定权利。消费者还可能根据适用的全国性法律享有不受本有限质保影响的其他法定权利。如具有管辖权的法院裁定本有限质保的特定条款不适用，则此裁定不应影响本有限质保的任何其他条款，所有其他条款应仍为有效。

这是 FOX 对其避震产品和元件做的唯一保证，在本说明之外无任何其他延伸的保证。法律可能默示的其他保证，包括但不限于关于适销性或特定目的适用性的默示保证，均在此排除。

本有限质保应排他性地使用加利福尼亚州的法律。

根据本有限质保提出索赔时，您需要向 FOX 授权维修中心出具：

1. 产品（或受影响零部件），及
2. 原始购买凭证的复印件，清楚标明卖方的名称和地址、购买日期和地点、产品零部件号以及序列号（如果使用了的话）。如果 FOX 产品作为完整自行车的一部分出售，则应包括自行车品牌、型号、型号年份和序列号。

This page is intentionally left blank.



©FOX FACTORY, INC. 2020 // 1.800.FOX.SHOX
915 DISC DRIVE SCOTTS VALLEY, CA 95066 USA
TEL: 831.768.1100

605-00-243 REV A